

GROUP INDEX

GROUP	PAGE
AIR CONDITIONER & HEATER...	975
CONSOLE .....	985
CONVERTIBLE/SOFT TOP .....	987
COOLING .....	974
COWL .....	984
DOOR .....	988
ELECTRICAL .....	977
EMISSION SYSTEM .....	980
ENGINE / TRANSAXLE .....	978
EXHAUST SYSTEM .....	980
FENDER .....	976

GROUP	PAGE
FRONT BUMPER.....	972
FRONT LAMPS.....	973
FUEL SYSTEM .....	992
HOOD .....	976
INFORMATION LABELS .....	972
INSTRUMENT PANEL .....	984
LIFT GATE .....	991
PAINT IDENTIFICATION.....	972
QUARTER PANEL .....	990
REAR BODY .....	994
REAR BUMPER.....	995

GROUP	PAGE
REAR LAMPS.....	994
REAR SUSPENSION.....	992
RESTRAINT SYSTEMS.....	985
ROCKER PANEL & FLOOR.....	990
ROOF .....	986
SEATS & TRACKS .....	985
STEERING .....	982
UNDERHOOD DIAGRAM.....	976
WHEELS & FRONT SUSPENSION.....	980
WINDSHIELD .....	984

**Black Book**

USED CAR MARKET GUIDE

1997 MITSUBISHI 3000G

*ADD*	*DEDUCT*
500 AUTO TRANS	
400 PWR SR EXC BASE	
200 CD	

MODEL DESCRIPTION	AVG RETAIL
GT24- 2D COUPE .....	19750
GT24- 2D COUPE SL .....	24625
GT24- 2D COUPE VR-4 .....	33350

1996 MITSUBISHI 3000G

*ADD*	*DEDUCT*
450 AUTO TRANS	825 WITHOUT F/AIR
175 CD	

MODEL DESCRIPTION	AVG RETAIL
GT24- 2D COUPE .....	18175
GT24- 2D COUPE SL .....	22100
GT24- 2D COUPE VR-4 .....	26500

1995 MITSUBISHI 3000G

*ADD*	*DEDUCT*
400 AUTO TRANS	750 WITHOUT F/AIR
300 POWER SUNROOF	

MODEL DESCRIPTION	AVG RETAIL
GT24- 2D COUPE .....	14725
GT24- 2D COUPE SL .....	18050
GT24- 2D COUPE VR-4 .....	24775
GT28- SPYDER SL .....	33625
GT28- SPYDER VR-4 .....	38375

1994 MITSUBISHI 3000G

*ADD*	*DEDUCT*
350 AUTO TRANS	675 WITHOUT F/AIR
250 POWER SUNROOF	
125 CD	

MODEL DESCRIPTION	AVG RETAIL
GT24- 2D COUPE .....	11750
GT24- 2D COUPE SL .....	14900
GT24- 2D COUPE VR-4 .....	19175

1993 MITSUBISHI 3000G

*ADD*	*DEDUCT*
300 AUTO TRANS	600 WITHOUT F/AIR
200 POWER SUNROOF	
100 CD	

MODEL DESCRIPTION	AVG RETAIL
GT24- 2D COUPE .....	9425
GT24- 2D COUPE SL .....	12725
GT24- 2 D COUPE VR-4 .....	17025

1992 MITSUBISHI 3000G

*ADD*	*DEDUCT*
250 AUTO TRANS	525 WITHOUT F/AIR
150 POWER SUNROOF	

MODEL DESCRIPTION	AVG RETAIL
GT24- 2D COUPE .....	7750
GT24- 2D COUPE SL .....	11425
GT24- 2D COUPE VR-4 .....	15150

1991 MITSUBISHI 3000G

*ADD*	*DEDUCT*
200 AUTO TRANS	450 WITHOUT F/AIR

100 POWER SUNROOF

MODEL DESCRIPTION	AVG RETAIL
GT24- 2D COUPE .....	6775
GT24- 2D COUPE SL .....	10100
GT24- 2D COUPE VR-4 .....	14600

PAINT IDENTIFICATION

ARP6230

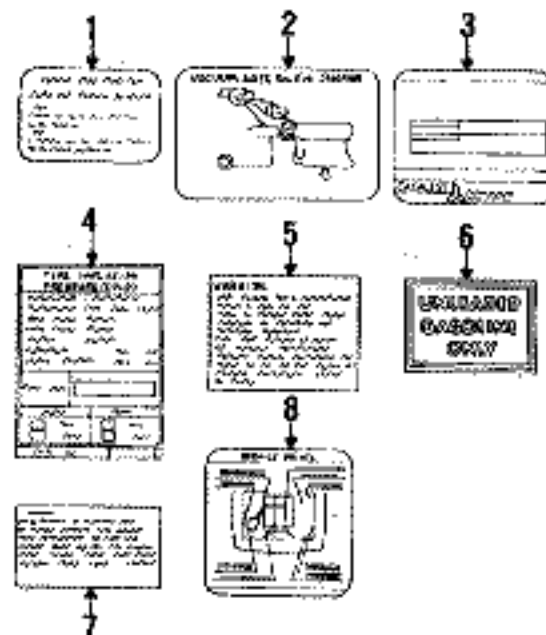
PAINT PROCESS

All metallic colors are base coat/clear coat. All non-metallic colors are single stage.

PAINT CODE IDENTIFICATION

Paint code is located on firewall.

INFORMATION LABELS



OVERLAP OPERATIONS

2692	Install all labels .....	91-99	0.3
------	--------------------------	-------	-----

PARTS AND R&R OPERATIONS

LABELS

13071	1	Caution label	spark plug .....	91-95	1.95#	0.2	MD119 204
1994			96-99	1.15#	0.2	MD325 016	
1309	2	Info label	vacuum routing	91-92	3.05#	0.2	MD161 270
1727			base model .....	93-95	3.62#	0.2	MD193 117
1995			96-98	3.05#	0.2	MD327 295	
2706			99	2.95#	0.2	MD345 902	
1726			SL model .....	91-92	3.05#	0.2	MD161 271
1729			93-95	3.62#	0.2	MD193 116	
2704			96-98	3.05#	0.2	MD327 295	
2707			99	2.95#	0.2	MD345 903	
1730			VR-4 model .....	91-92	3.05#	0.2	MD161 273
1731			93-95	3.62#	0.2	MD193 118	
2705			96-98	3.05#	0.2	MD327 295	
2708			99	2.95#	0.2	MD345 904	
1308	3	Emission label	to 6/91 .....	91	3.48#	0.2	MD160 721
1411			from 6/91 .....	91-94	3.90#	0.2	MD176 349
1979			95	3.23#	0.2	MD314 399	
1996			96	3.15#	0.2	MD326 746	
2232			97	2.95#	0.2	MD337 913	
2642			98	2.95#	0.2	MD345 898	
2709			base model .....	99	3.58#	0.2	MD360 415
2710			SL model .....	99	3.58#	0.2	MD360 416
2711			VR-4 model .....	99	3.54#	0.2	MD360 417
1412	4	Tire info label	2WD .....	91-97	1.28#	0.2	MB624 758
2891			98-99	1.52#	0.2	MR197 924	
1413			4WD .....	91-94	1.28#	0.2	MB624 761
1980			95-96	1.22#	0.2	MR197 922	
2233			97-99	1.18#	0.2	MR297 975	

Air bag label

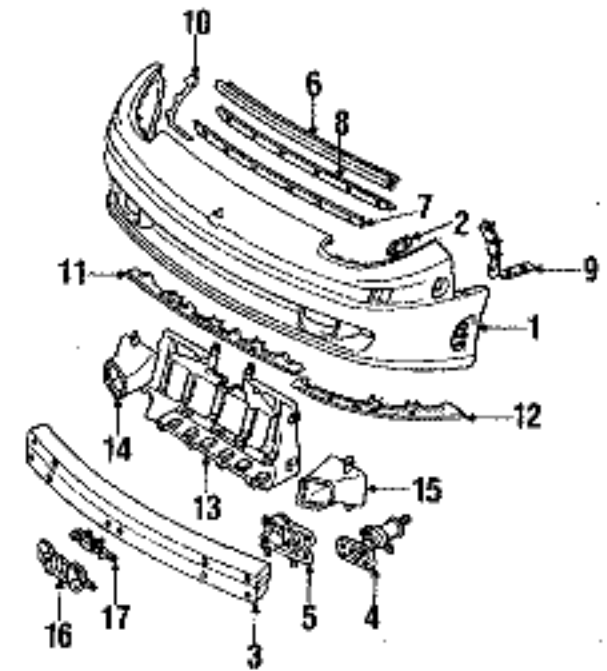
1414	5	"Warning" .....	91-96	3.15#	0.2	MB682 049
1732		"Caution" .....	91-99	1.18#	0.2	MB682 048
1733		driver specifics .....	91-99	3.57#	0.2	MB891 604
1415	6	Fuel label .....	91-99	1.62#	0.2	MD182 204

Info label

1418	7	hd differential .....	91-96	1.62#	0.2	MB664 681
1418	8	service points .....	91-95	2.33#	0.2	MB660 503

# PARTS: Parts listed are for estimating only. Order by model, engine, and transmission description. LABOR: Time is for application of first label. See OVERLAP OPERATIONS for multiple labels.

FRONT BUMPER



OVERHAUL OPERATIONS

3	O/R bumper assy .....	91-93	2.5
1981		94-99	3.5

R&I OPERATIONS

3085	R&I bumper assy .....	91-93	2.0
2019		94-99	2.5

PARTS AND R&R OPERATIONS

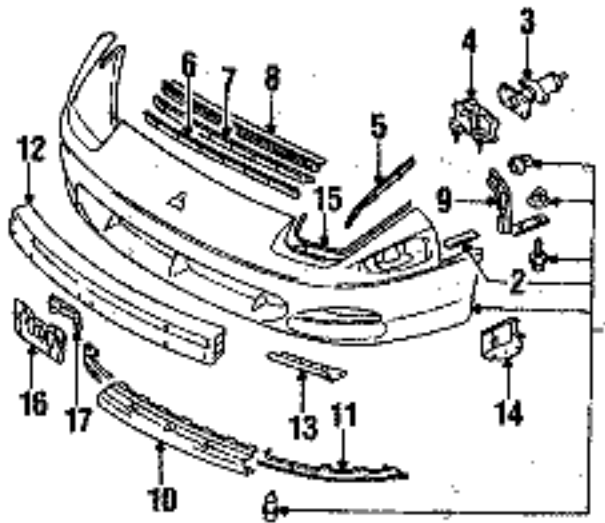
BUMPER & COMPONENTS

4	1	Cover .....	(p2.5) 91-93	390.00#	2.5	MB831 876
5		clip .....	91-93	1.48		MB547 806
6		pad .....	91-93	.85		MB344 629
7	2	Support .....	91-93	2.92		MB866 806
8	3	Reinforcement .....	91-93	182.74#	2.5	MB640 570
9	4	Absorber .....	91-93 B	43.52#	0.3	MB574 120
10	5	bracket .....	91-93 R	34.59		MB640 572
11			91-93 L	34.59		MB640 571
14	6	Protector .....	91-93	3.82		MB640 983
15	7	upper plate				
16	8	outer .....	91-93	9.81		MB640 971
17		inner .....	91-93	38.41		MB640 479
17	9	Side plate				
18		upper .....	91-93 R	13.87		MB640 492
19			91-93 L	13.87		MB640 491
20	10	lower corner .....	91-93 R	8.75		MB640 880
			91-93 L	8.75		MB640 879
21	11	Center plate				
		w/o turbo .....	91-93	10.37		MB640 507
		w/turbo .....				
1316		to 5/91 .....	91	10.37		MB640 507
1316		from 5/91 .....	93-93	96.74		MB640 577
22	12	Side plate				
		w/o turbo .....	91-93 R	11.63		MB640 506
			91-93 L	11.63		MB640 505
		w/turbo .....				
1317		to 5/91 .....	91 R	11.63		MB640 506
1318			91 L	11.63		MB640 505
1319		from 5/91 .....	91-93 R	18.88		MB641 016
1320			91-93 L	18.88		MB641 015

# ARP 6230

12	shim	91-93	2.80		MB574 119
13	grommet	91-93	1.82		MB552 833
<b>Air duct</b>					
13	center w/o turbo				
24	to 5/91	91	78.97		MB889 078
1321	from 5/91	91-93	78.97		MB889 078
25	center w/turbo				
1322	to 5/91	91	78.98		MB889 079
27	from 5/91	91-93	78.98		MB889 079
27	14 side w/turbo	91-93 R	6.94		MB640 798
28	15	91-93 L	5.86		MB640 797
<b>clip</b>					
26	center	91-93	.92		MB253 964
29	side	91-93	1.52		MB406 894
30	16 license bracket	91-93	35.62	0.3	MB641 001
31	17 support	91-93	14.54		MB640 887
32	nut	91-93	.90		MU480 007
<b>Decal</b>					
33	tri-diamond	91-93	14.90	0.3	MB814 979
34	"ACTIVE AERO"	91-93	18.80	0.3	MB814 980

# LABOR: Time is for overhaul.  
 § LABOR: After bumper is removed.

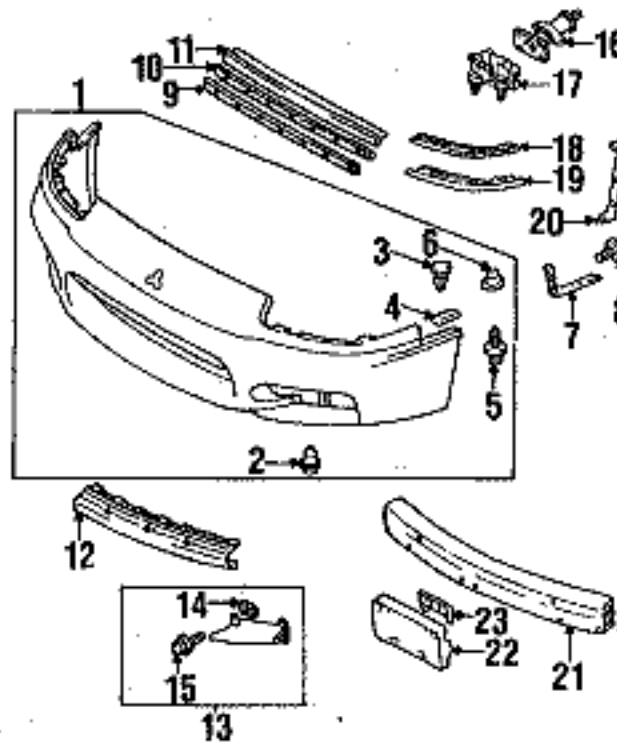


## BUMPER & COMPONENTS 1994-98

1304	1 Cover Assy	(p.25) 94-96	428.33 #	3.5	MR124 047
2234	retainer clip	(p.25) 97-98	490.00 #	3.5	MR296 297
1505	upper	94-98	.62		MB153 448
1506	lower	94-98	1.48		MB547 806
1507	2 pad	94-98	.85		MB344 629
1508	screw	94-98	.45		MS452 348
1509	grommet	94-98	.58		MU480 035
1510	3 Absorber	94-98 B	43.52 #	0.3	MB574 120
1511	4 bumper	94-98 R	34.59		MB640 572
1512		94-98 L	34.59		MB640 571
1513	shim	94-98	2.80		MB574 119
1514	5 Opening panel	94-98 R	4.50		MR152 016
1515		94-98 L	4.50		MR152 015
<b>Protector</b>					
1516	6 front	94-98	11.97		MB935 109
1517	intermediate	94-98	37.94		MB935 107
1518	rear	94-98	4.22		MB935 458
1519	9 brace	94-98 R	13.87		MB640 492
1520		94-98 L	13.87		MB640 491
<b>10 Protector</b>					
1521	front, lower	94-96	67.16		MB935 139
1522	w/o turbo	94-96	67.16		MR200 276
2235	w/turbo	97-98	67.16		MB935 139
<b>11 Protector</b>					
1523	lower corner	94-98 R	12.83	0.3	MB935 142
1524	w/o turbo	94-98 L	12.83	0.3	MB935 141
1525	w/turbo	94-96 R	12.83	0.3	MB935 464
1526		94-96 L	12.83	0.3	MB935 463
2236		97-98 R	12.83	0.3	MB935 142
2237		97-98 L	12.83	0.3	MB935 141
1527	12 Reinforcement	94-98	182.74 #	3.5	MB640 570
<b>Reinf plate</b>					
1528	13 front	94-96 R	8.12		MB935 138
1529		94-96 L	8.12		MB935 137
2238		97-98 R	7.68		MR280 010
2239		97-98 L	7.68		MR280 009
1530	14 sides	94-96 R	6.46		MB935 148
1531		94-96 L	6.46		MB935 147
<b>Seal</b>					
1532	15 headlamp	94-96 R	20.20		MR220 702
1533		94-96 L	20.20		MR220 701
2240		97-98 R	20.20		MR220 702
2241		97-98 L	20.20		MR220 701
1534	16 license bracket	94-96	25.53	0.3	MB935 145
2242		97-98	21.56	0.3	MR280 014
1535	17 support	94-98	19.67		MB935 121
1536	bolt	94-98	1.33		MS240 601
<b>Decal</b>					
2702	tri-diamond	94-98	14.90	0.3	MB814 979
2703	"ACTIVE AERO"	94-98	18.80	0.3	MB814 980

# LABOR: Time is for overhaul.

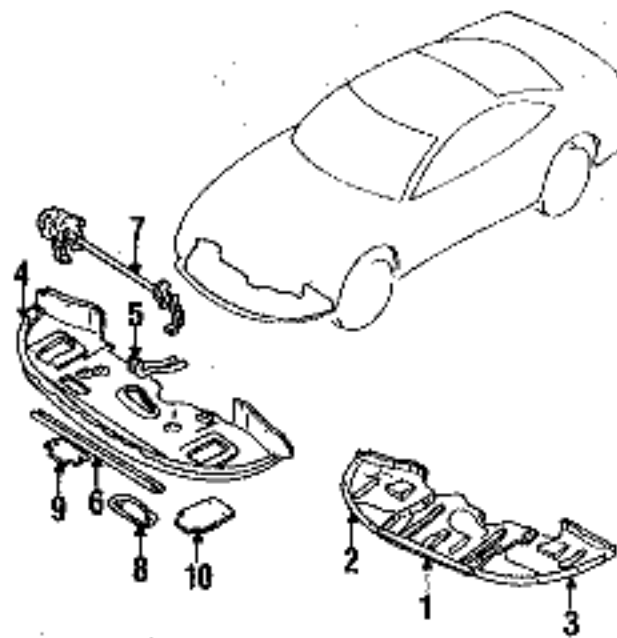
# 1991-99 MITSUBISHI 3000 GT



## BUMPER & COMPONENTS 1999

2712	1 Bumper cover	(p.25) 99	490.00 #	3.5	MR439 752
2713	retainer clip				
27132	upper	99	1.57 #		MU481 042
27143	lower	99	1.48 #		MB547 806
27164	pad	99	.85 #		MB344 629
27165	screw	99	.45 #		MS452 348
27176	grommet	99	.58 #		MU480 035
27187	brace	99 R	14.44		MB640 488
2719		99 L	14.44		MB640 487
27208	bolt	99	1.33		MS240 601
<b>Protector</b>					
27219	front	99	11.97		MB935 109
2722	10 center	99	37.94		MB935 107
2723	11 rear	99	4.22		MB935 458
2724	12 lower	99	68.22		MR447 764
2725	13 Hole cover	99 R	31.95		MR439 756
2726		99 L	31.95		MR439 755
2727	14 nut	99	.57 #		MU440 019
2728	15 bolt	99	.63 #		MS240 141
2729	16 Absorber	99 B	43.52 #	0.3	MB574 120
2730	17 bumper	99 R	34.59		MB640 572
2731		99 L	34.59		MB640 571
<b>Corner shield</b>					
2732	18 upper	99 R	17.25		MR384 004
2733		99 L	17.25		MR384 003
2734	19 lower	99 R	10.64		MR384 006
2735		99 L	10.64		MR384 005
2736	20 lower bracket	99 R	5.50		MR384 024
2737		99 L	5.50		MR384 023
2738	21 Reinforcement	99	182.74 #	3.5	MB640 570
2739	22 license bracket	99	21.56	0.3	MR280 014
2740	23 support	99	19.67		MB935 121

# LABOR: Time is for overhaul.  
 § PARTS: Part included with bumper cover.  
 § PARTS: Part included with hole cover.

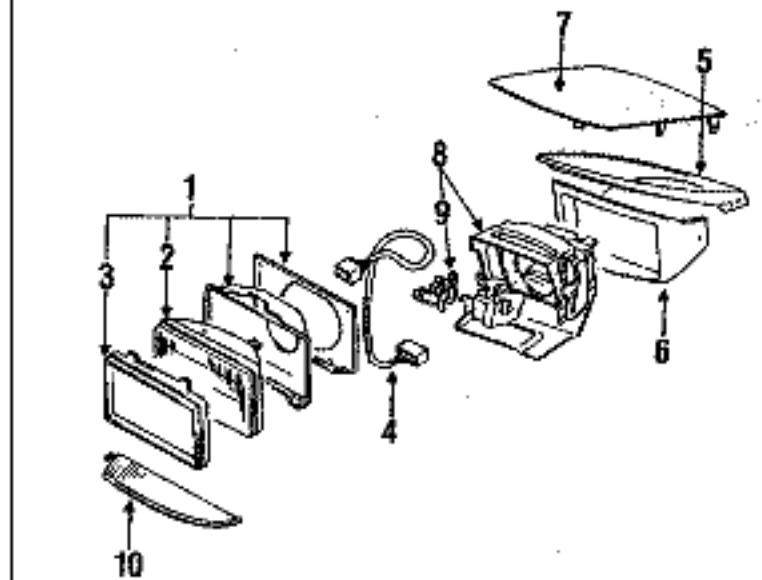


## SPOILER

<b>Air deflector</b>					
35	1	w/o active type			
1537	center	91-93	48.48	0.6	MB640 784
36	2				
1538	center	94-99	59.81	0.6	MB935 456
37	3	side			
1539	center	91-93 R	24.83	0.3	MB641 194
2741		91-93 L	24.83	0.3	MB641 193
1539	center	94-98 R	24.01	0.3	MB935 455
1539	center	94-98 L	24.01	0.3	MB935 454
2741		99 R	26.87	0.3	MR396 922
2742		99 L	26.87	0.3	MR396 921
38	4	w/active type			
1539	center	91-96	351.78	0.6	MB867 826
39	clip	91-99	1.48		MB547 806
40	5	bracket			

41	6 plate	91-96	10.08		MB640 975
42	7 link	91-96	60.27		MB641 495
		91-96	767.18		MB640 909
<b>Cover panel</b>					
43	8 center	91-96	3.65		MB641 485
2243		97-99	59.81		MB935 456
44	9 front	91-96	6.82		MB641 486
45	10 side	91-96	4.57		MB641 483

## FRONT LAMPS



ADD IF REQUIRED

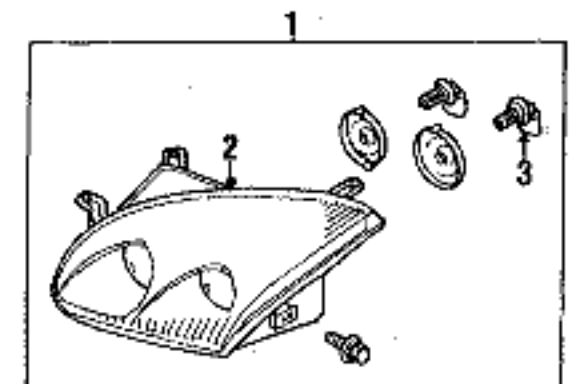
2028	1 Aim headlamps	91-99		0.5	
<b>OVERHAUL OPERATIONS</b>					
48	2 O/N headlamp Assy	91-99 B		1.5	
<b>R&amp;I OPERATIONS</b>					
2021	3 R&I headlamp Assy				
2018	one side	91-93 B		0.6	
		94-99 B		0.5	

## PARTS AND R&R OPERATIONS

### HEADLAMP COMPONENTS 1991-93

49	1 Headlamp Assy	91-93 R	81.00	0.3	MB698 904
50		91-93 L	81.00	0.3	MB698 903
<b>screw</b>					
53	retaining	91-93	.77		MB084 225
54	adjusting	91-93	2.43		MB596 514
55	nut	91-93	1.33		MB302 665
56	spring	91-93	.72		MB596 516
51	2 Sealed beam	91-93 B	20.57	0.3	MS820 195
52	3 retainer ring	91-93	6.43		MB596 513
57	4 Harness	91-93 R	23.19		MB622 736
58		91-93 L	22.74		MB622 735
<b>Boxel</b>					
59	5 upper	91-93 R	19.20	0.3	MB698 908
60		91-93 L	19.20	0.3	MB698 907
61	6 lower	91-93 R	27.27	0.3	MB698 912
62		91-93 L	27.27	0.3	MB698 911
63	nut	91-93	1.05		MS480 009
64	clip	91-93	.77		MS470 073
65	7 Door	(p.8) 91-93 R	33.60	0.3	MB835 136
66		(p.8) 91-93 L	33.60	0.3	MB835 135
67	8 Housing Assy	91-93 R	356.08	1.0	MB622 714
68		91-93 L	356.08	1.0	MB622 713
69	9 Motor Assy	91-93 R	269.72	0.8	MB622 924
70		91-93 L	267.08	0.8	MB622 923
71	10 Lens	91-93 R	61.32	0.3	MB698 930
72		91-93 L	61.32	0.3	MB698 929
73	grommet	91-93	1.00		MU810 519

§ LABOR: Time includes retractor assembly.



### HEADLAMP COMPONENTS 1994-99

1540	1 Headlamp Assy	(p.5) 94 R	522.12°	0.5	MR124 508
1541		(p.5) 94 L	522.12°	0.5	MR124 507
1767		(p.5) 95 R	522.12°	0.5	MR179 556
1768		(p.5) 95 L	522.12°	0.5	MR179 555
1997		(p.5) 96-98 R	497.60°	0.5	MR273 150
1998		(p.5) 96-98 L	497.60°	0.5	MR273 149
2743		(p.5) 99 R	522.12°	0.5	MR439 758
2744		(p.5) 99 L	522.12°	0.5	MR439 757

CONTINUED

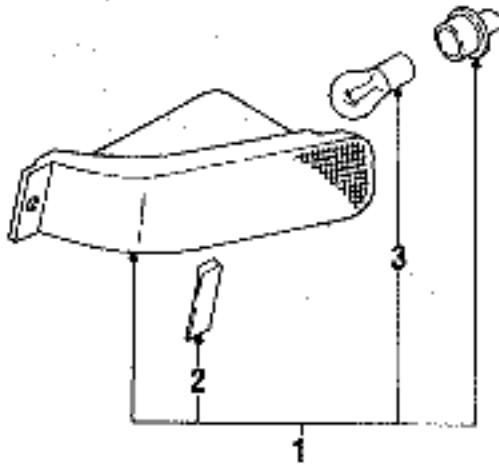
Please contact our Product Support Group if you require assistance locating, interpreting or using any information contained in this Estimating Guide. Toll Free Number: 1-800-426-6867.

## FRONT LAMPS (CONT)

1542	2	Headlamp body	(p.5) 94 R	534.17°	0.5	MR154 507
1543			(p.5) 94 L	534.17°	0.5	MR154 498
1769			(p.5) 95 R	524.18°	0.5	MR192 975
1770			(p.5) 95 L	524.18°	0.5	MR192 968
1999			(p.5) 96-98 R	656.99°	0.5	MR760 101
2000			(p.5) 96-98 L	656.99°	0.5	MR760 100
2745			(p.5) 99 R	647.27°	0.5	MR416 782
2746			(p.5) 99 L	647.27°	0.5	MR416 781

1544	3	Bulb	55 watt	94-99 B	12.83	0.3	AB009 006
1545			65 watt	94-99 B	12.09	0.3	AB009 005

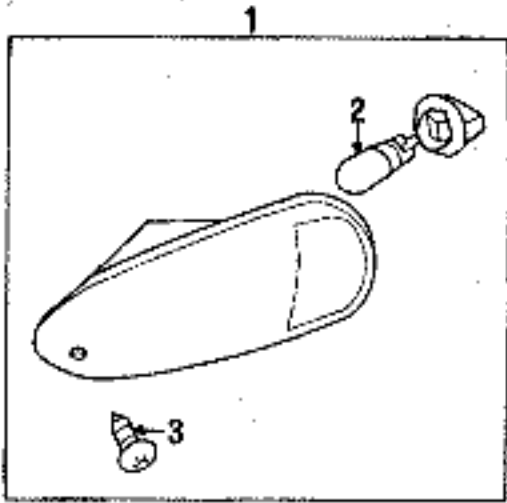
# PARTS: Order by color and application.



## SIGNAL LAMPS 1991-93

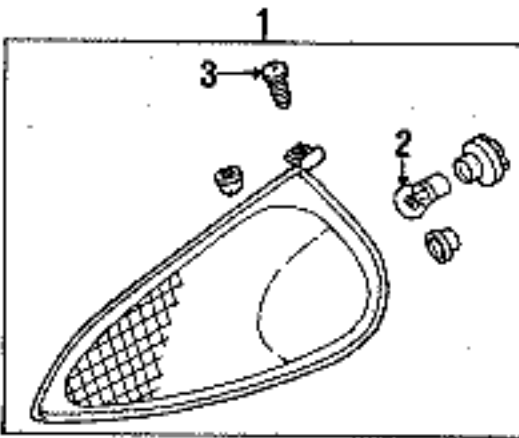
74	1	Turn signal lamp	91-93 R	53.87	0.3	MB860 952
75			91-93 L	53.87	0.3	MB860 951
76		nut	91-93 B	1.00#	0.3	MB623 817
77	2	Cover	91-93 R	1.72#	0.3	MB880 038
78			91-93 L	1.72#	0.3	MB880 037
79	3	Bulb	91-93 B	.50#	0.3	AL001 157

# PARTS: Part included in lamp assembly. LABOR: Time is for R&R of lamp as an assembly.



## SIGNAL LAMPS 1994-98

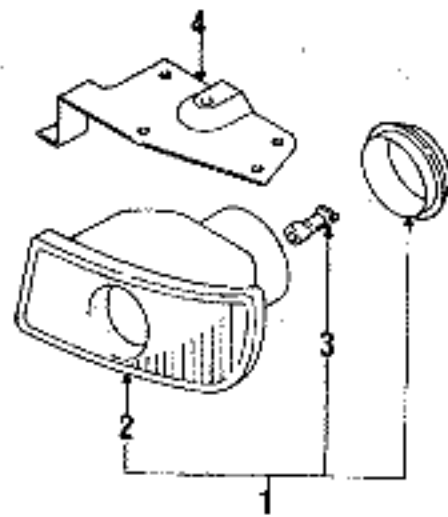
1546	1	Turn signal lamp	94-98 R	53.87	0.3	MR124 514
1547			94-98 L	53.87	0.3	MR124 513
1548	2	Bulb	94-98 B	4.42	0.2	MS820 049
1549	3	screw	94-98 B	1.00		MR154 702



## SIGNAL LAMPS 1999

2749	1	Turn signal lamp	99 R	66.58	0.3	MR439 760
2750			99 L	66.58	0.3	MR439 759
2751	2	Bulb	99 B	3.25#	0.2	MS820 037
2752	3	screw	99 B	.36#		MF453 273

# PARTS: Part included with lamp.

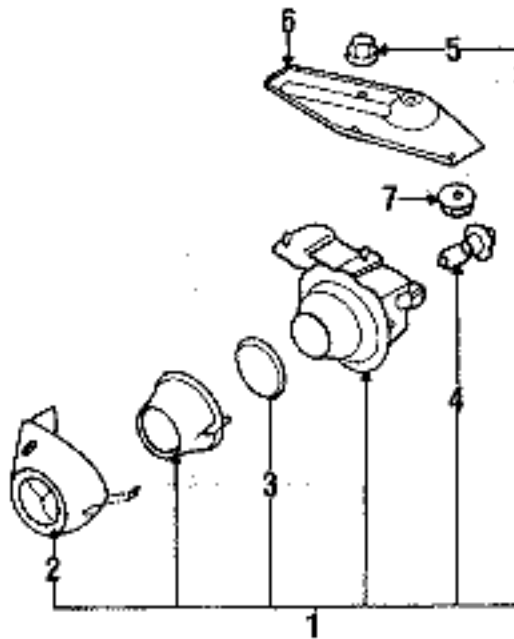


## FOG LAMPS 1991-93

80	1	Fog lamp assy	91-93 R	236.72	0.3	MB698 928
81			91-93 L	236.72	0.3	MB698 927
82	2	Lens & housing	91-93 R	176.43#	0.3	MB848 586
83			91-93 L	176.43#	0.3	MB848 585
84	3	Bulb	91-93 B	27.23#	0.2	MS820 964
85	4	bracket	91-93 R	15.17		MB622 762
86			91-93 L	15.17		MB622 761

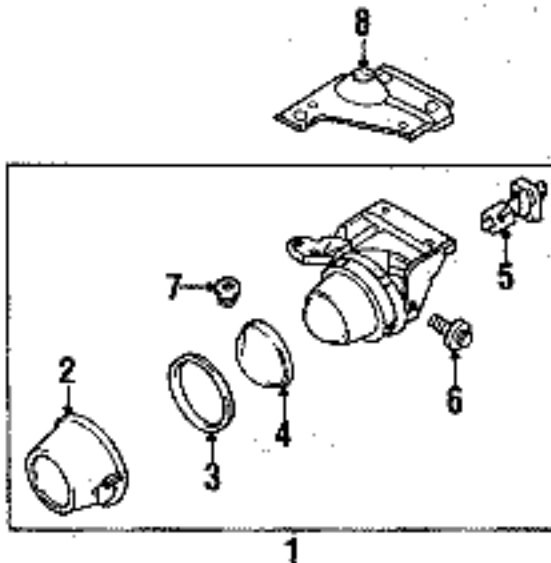
# PARTS: Part included in lamp assembly. LABOR: Time is for R&R of lamp as an assembly.

† LABOR: Time for bulb as individual operation. If replaced with assembly, use lamp assembly R&R time.



## FOG LAMPS 1994-98

1550	1	Fog lamp assy	94-96 R	239.08	0.3	MR124 520
1551			94-96 L	239.08	0.3	MR124 519
2244			97-98 R	358.07	0.3	MR124 522
2245			97-98 L	358.07	0.3	MR124 521
1552	2	Cover	94-98 R	26.86		MR154 401
1553			94-98 L	26.86		MR154 402
1554	3	Lens	94-98	52.59		MR154 517
1555	4	Bulb	94-98	27.23	0.2	MS820 964
1556	5	nut	94-98	.47		MS440 502
1557	6	bracket	94-96 R	17.13		MB952 054
1558			94-96 L	17.13		MB952 053
2246			97-98 R	16.11		MB952 058
2247			97-98 L	16.11		MB952 057
1559	7	nut	94-98	.47		MS440 502



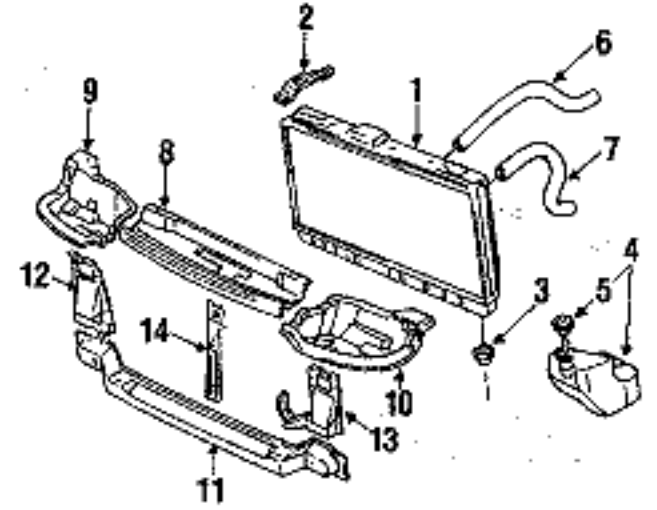
## FOG LAMPS 1999

2753	1	Fog lamp assy	99 R	322.88	0.3	MR439 762
2754			99 L	322.88	0.3	MR439 761
2764	2	rim	99 B	10.40#		MR441 170
2765	3	gasket	99 B	2.72#		MR154 863
2759	4	Lens	99 B	45.70#		MR154 862
2760	5	Bulb	99 B	27.23#	0.2	MS820 964
2763	6	screw	99 B	1.05#		MR154 874

2761	7	nut	99 B	.47#		MS440 502
2755	8	Bracket	99 R	16.13		MR388 396
2756			99 L	16.13		MR388 395

# PARTS: Part included in lamp assembly.

## COOLING



### ADD IF REQUIRED

2620	R&R radiator support	91-99		0.5
2621	aim headlamps	91-99		0.5
2622	add for AC option	91-99	#m	0.5
2623	evacuate & recharge	91-99	m	1.4
2624	refrigerant recovery	91-99	m	0.4
2625	add for oil cooler	91-99	m	0.5
2626	add for auto trans	91-99	m	0.2
2627	add for turbo option	91-99	m	0.5

### OVERLAP OPERATIONS

1963	R&R rad support assy	91-99	p1.5	7.5
2230	complete	91-99		7.5
2231	R&R radiator hose with radiator off	91-99		0.2
2232	upper	91-99		0.3
2233	lower	91-99		0.3

### PARTS AND R&R OPERATIONS

#### RADIATOR

110	1	Radiator	w/o turbo			
1777			manual trans	91-94	404.99	m 1.0 MB605 455
111			automatic trans	95-99	461.10	m 1.0 MB924 243
1778				91-94	404.99	m 1.2 MB605 454
112				95-99	461.10	m 1.2 MB924 243
2248			w/turbo	91-96	404.99	m 1.2 MB605 454
113				97-99	461.10	m 1.2 MB924 243
113	2	upper insulator	91-99 R	8.68		MB605 462
114			91-99 L	8.68		MB605 461
115	3	lower insulator	91-99	2.77		MB356 998
116	4	Recovery tank	91-97	22.23	0.3	MB605 465
2843			98-99	47.24	0.3	MR355 531
117	5	Cap	91-98	11.95		MB597 537
2765			99	20.65		MR385 507
118	6	Upper hose	91-96	15.95	m 0.5	MB605 459
2249			w/o turbo			
2250			SOHC	97-99	15.95	m 0.6 MB660 064
2251			DHC	97-99	15.95	m 0.6 MB605 459
2252			w/turbo	97-99	15.95	m 0.6 MB605 459
119	7	Lower hose	w/o turbo			
2769			manual trans	91-96	17.10	†m 0.6 MB605 460
2770				97-99	18.44	†m 0.6 MB660 065
2771			auto trans	91-96	17.10	†m 0.6 MB605 460
2772				97-99	18.26	†m 0.6 MB660 066
120			w/turbo			
1325			to 9/90	91	18.08	m 0.6 MB845 015
2252			from 9/90	91-96	19.55	m 0.6 MB845 941
2253				97-99	18.26	m 0.6 MR127 620

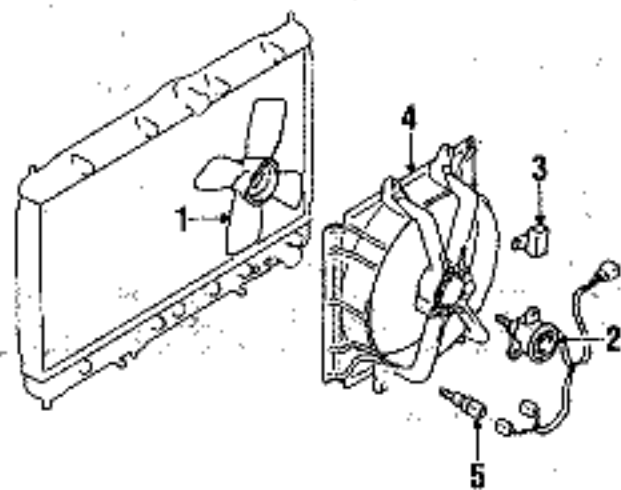
121	8	Upper support	center	(p.5) 91-97	70.68	±s 1.5	MB945 096
2644				(p.5) 98-99	86.68	±s 1.5	MR391 512
122	9		side	(p.5) 91-93 R	96.17	±s 2.0	MB637 434
123	10			(p.5) 91-93 L	96.17	±s 2.0	MB637 433
1779				(p.5) 94-99 R	93.41	±s 2.0	MB907 980
1780				(p.5) 94-99 L	93.41	±s 2.0	MB907 979
124	11	Lower support		(p.5) 91-99	162.93	±s 3.0	MB945 098
125	12	Side brace		(p.5) 91-99 R	29.43	s 1.5	MB637 528
126	13			(p.5) 91-99 L	29.15	s 1.5	MB945 097
127	14	Vertical support		91-99	12.62	0.3	MB640 920

### COMPONENTS ON RADIATOR SUPPORT

128	Resistor	engine cont w/turbo	91-94	46.38	m 0.3	MD147 796
1781			95-99	48.23	m 0.3	MB957 906

# LABOR: Time is to R&R/R condenser & lines.  
 † LABOR: Time includes R&R/R of the radiator, fan shroud, grille, hood lock, hood bumpers, front bumper absorbers, coolant recovery tank, center & side air deflectors and D&R of front wiring, fuse box & hood release cable.  
 ‡ LABOR: Time is after bumper, grille, headlamps, fenders, and all necessary bolted on parts are removed.

PARTS: Order by description.



**COOLING FAN**

<b>1 Blade</b>			
	manual trans		
1327	w/o turbo	91	35.98 #m 0.8 MB356 547
1328		92-99	37.08 #m 0.8 MB906 065
1329	automatic trans	91-99	35.98 #m 0.8 MB356 547
<b>2 Motor</b>			
	manual trans		
130	w/o turbo, to 10/90	91	180.04 #m 0.8 MB660 752
1330	w/o turbo, fr. 10/90	91-96	181.85 #m 0.8 MB660 753
2254	at turbo, fr. 10/90	97-99	209.58 #m 0.8 MB924 907
131	automatic trans	91-96	181.85 #m 0.8 MB660 753
2256		97-99	262.87 #m 0.8 MB924 908
133		91-99	18.82 MB660 754
<b>3 Resistor</b>			
<b>4 Shroud</b>			
134	manual trans	91-99	46.32 # 0.8 MB660 751
135	automatic trans	91-99	46.32 # 0.8 MB660 750
<b>5 Temp sensor</b>			
137	white	91-94	42.60 #m 0.5 MB660 663
1782		95-99	#m 0.5 NOT LISTED
138	black	91-94	42.60 #m 0.5 MB660 664
1783		95-99	#m 0.5 NOT LISTED

**BELTS & PULLEYS**

**OVERLAP OPERATIONS**

2229	R&R all belts	91-99	m 0.8
------	---------------	-------	-------

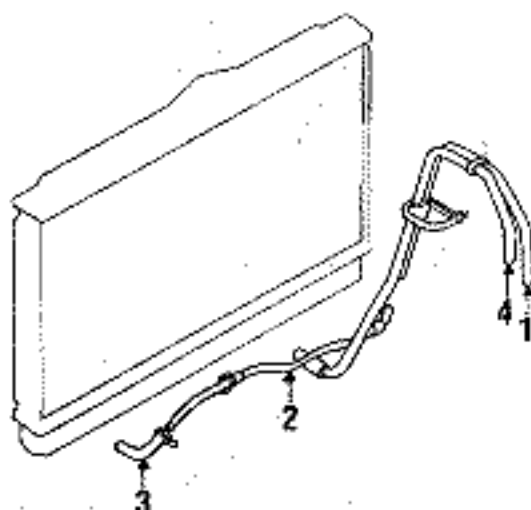
**PARTS AND R&R OPERATIONS**

<b>Alternator belt</b>			
139	w/o AC	91-94	21.11 m 0.8 MD187 463
2772		95-96	m 0.8 NOT LISTED
140	w/AC	91-94	24.29 m 0.8 MB879 764
1784		95-96	m 0.8 NOT LISTED
2257	all	97-99	21.00 m 0.8 MD187 461
<b>P/S belt</b>			
141	to 3/91	91	14.20 m 0.8 MD185 959
1332	fr 3/91	91-99	14.88 m 0.8 MD172 376
<b>Tension pulley</b>			
	alternator belt		
142	non-adjustable	91-96	45.03 m 0.7 MD318 474
143	adjustable	91-94	53.25 m 0.7 MD165 734
1785		95-96	m 0.7 NOT LISTED
2258	SOHC	97-99	39.67 m 0.7 MD308 882
2259	DOHC	97-99	45.03 m 0.7 MD318 474
144	bracket	91-96	31.43 MD169 731
2260		97-99	25.08 MD104 060
145	belt	91-96	6.09 MD169 797
2261		97-99	2.82 MD106 821
1748	Tensioner	91-99	@ SEE FOOTNOTE

**WATER PUMP**

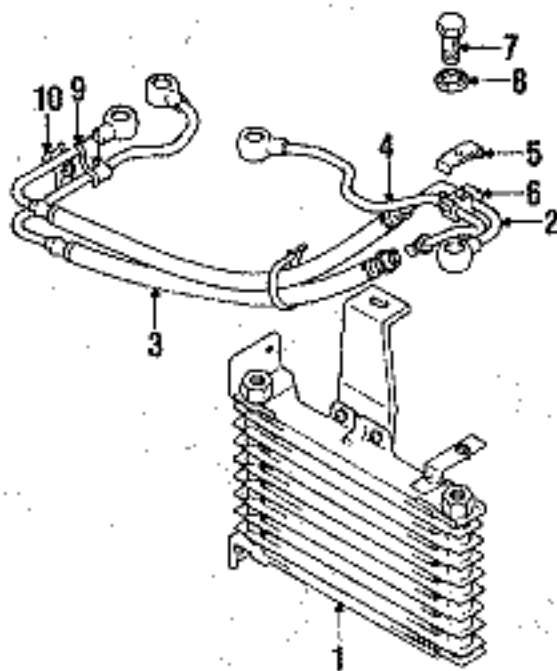
146	Water pump	91-96	98.17 m 3.5 MD972 005
2262	SOHC	97-99	91.10 m 3.5 MD972 003
2263	DOHC	97-99	98.17 m 3.5 MD972 005
147	gasket	91-96	3.25 MD188 340
2264	SOHC	97-99	3.58 MD151 426
2265	DOHC	97-99	3.25 MD188 340
148	bracket	91-99	2.54 MD133 859

# LABOR: Time is for assembly overhaul.  
 † LABOR: Included in radiator R&R.  
 @ PARTS: Part located in POWER STEERING group.



**TRANS OIL COOLER LINES**

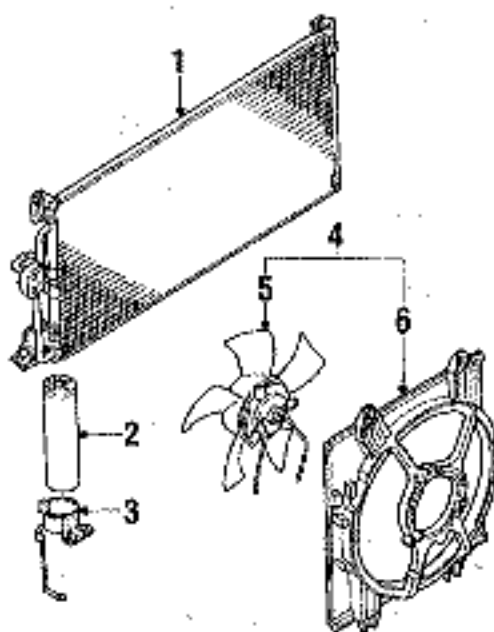
<b>Cooler line</b>					
149	1	upper pressure	91-98	27.73 m 0.5	MB011 030
2776			99	39.85 m 0.5	MR340 287
150	2	tube, cooler	91-99	21.79 m 0.5	MB660 456
151	3	lower pressure	91-98	8.00 m 0.5	MB010 934
2773			99	3.77 m 0.5	MR340 281
152	4	return hose	91-96	27.73 m 0.5	MB660 466
2268		SOHC	97-98	31.85 m 0.5	MB010 964
2775			99	m 0.5	NOT LISTED
2269		DOHC	97-98	27.73 m 0.5	MB660 466
2777			99	m 0.5	NOT LISTED
153		clamp	91-98	1.18	MF661 007
2774			99	1.05	MR281 416



**ENGINE OIL COOLER**

154	1	Oil cooler	91-99	326.42 m 0.8	MB605 467
<b>Hose</b>					
155	2	pressure	91-99	66.62	MB605 468
156	3	return	91-99	69.50	MB605 470
157	4	Return tube	91-99	27.27	MB605 475
158	5	clamp	91-99	2.23	MB356 091
159	6	cushion	91-99	2.23	MB356 089
160	7	eye bolt	91-99	3.55	MB033 025
161	8	O-ring	91-99	1.13	MB033 054
<b>Clamp</b>					
162	9	inner	91-99	1.33	MB033 661
163	10	outer	91-99	1.33	MB033 660

**AIR CONDITIONER & HEATER**



**SPECIAL CAUTION**  
 Beginning in 1994 this model uses R134 refrigerant in the AC system. Extra care must be observed when servicing this type of system. R12 refrigerant MUST NOT be used. See manufacturer's service manual for specific repair procedures.

**REFRIGERANT CAPACITY**

R12	91	2.1 LBS
	92-93	1.8 LBS
R134	94-99	1.6-1.8 LBS

**ADD IF REQUIRED**

With any operation requiring a refrigerant line disconnect, add AC service, i.e. evacuate, recharge and test for leaks. Add for refrigerant cost.

**AC Service**

184	evacuate & recharge	91-99	m 1.4
2418	refrigerant recovery	91-99	m 0.4

**OVERLAP OPERATIONS**

2638	R&R both AC hoses with condenser off	91-99	#m 1.4
2641	R&R compressor with belt off		
2641	deduct	91-99	m 0.4

**PARTS AND R&R OPERATIONS**

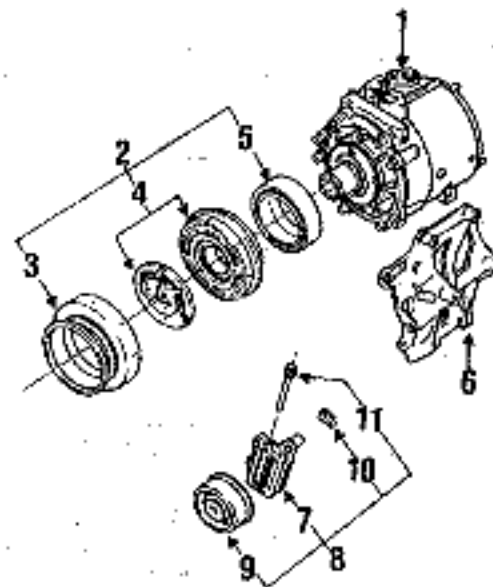
**CONDENSER**

165	1	Condenser	91-93	387.75 #m 1.6	MB609 529
1560			94-99	495.95 #m 1.6	MB899 229
1458		Sensor	91-95	10.40	MB630 417
186	2	Receiver	91-93	95.97 m 0.5	MB813 589
1561			94-98	90.08 m 0.5	MR189 539
2778			99	90.08 m 0.5	MR189 539
167	3	bracket	91-92	17.96	MB609 533
1335			93-99	18.81	MB898 337

**CONDENSER FAN**

168	4	Fan Assy	91-97	359.33 #m 0.7	MB609 530
2646			98-99	412.10 #m 0.7	MR360 127
169	5	Fan & motor	91-97	269.48 #m 0.7	MB630 412
2650			98-99	#m 0.7	NOT LISTED
1336		Motor	91-98	183.93 #m 0.7	MB897 456
2647			98-99	236.66 #m 0.7	MR398 035
1337		Fan	91-99	44.63 #m 0.7	MB897 438
170	6	Shroud	91-99	171.51 #m 0.7	MB630 414

# LABOR: Time is for assembly overhaul.  
 † LABOR: Time is for R&R of both hoses/ tubes attached to condenser.  
 ‡ LABOR: Time includes R&R/R&I radiator.  
 † PARTS: Part included with fan assembly.

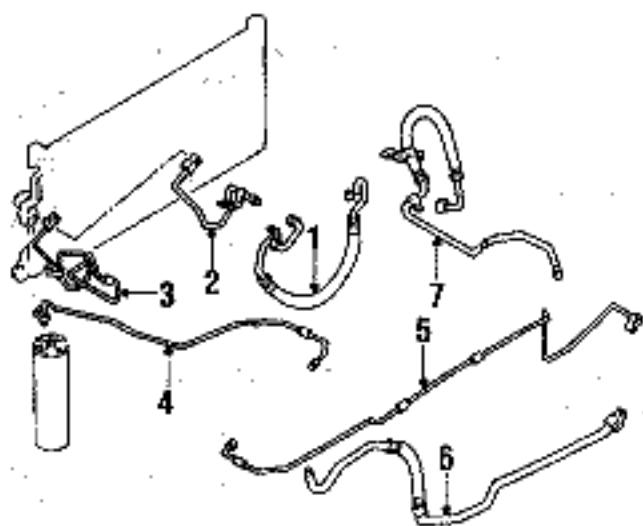


**COMPRESSOR**

171	1	Compressor	91-96	647.49 m 1.5	MB630 391
1562			94-96	590.00 m 1.5	MR360 248
2271		SOHC	97	864.50 m 1.5	MR315 257
2779			98-99	762.97 m 1.5	MR398 036
2270		DOHC	97-99	590.00 m 1.5	MR360 248
172	2	Clutch	91-93	295.58 m 2.0	MB630 393
1563			94-97	256.64 m 2.0	MR360 247
2272		SOHC	97	224.77 m 2.0	MR360 246
2652			98-99	254.33 m 2.0	MR398 098
2273		DOHC	97-99	256.64 m 2.0	MR360 247
173	3	Pulley	91-93	243.92 #m 0.3	MB630 394
1564			94-96	m 0.3	MR168 343
2274		SOHC	97-99	m 0.3	MR168 342
2275		DOHC	97-99	m 0.3	MR168 343
174	4	Rotor	91-93	327.71	MB630 396
1565			94-96		MR168 345
2276		SOHC	97-99		MR168 344
2277		DOHC	97-99		MR168 345
175	5	Coil	91-93	108.43	MB630 398
1566			94-96		MR168 347
2278		SOHC	97		MR168 346
2655			98-99		MR398 099
2279		DOHC	97-99		MR168 347
2760	6	Compressor hrkt	91-99	†	SEE FOOTNOTE
<b>7 bracket</b>					
176		tensioner	91-93	53.77	MB609 658
1367			94-96	49.11	MB958 144
2285		SOHC	97-99	18.11	MB609 657
2286		DOHC	97-99	49.11	MB958 144
177	8	Tensioner	91-96	86.33 m 0.8	MB609 656
2280		SOHC	97-99	86.87 m 0.8	MB878 400
2281		DOHC	97-99	86.33 m 0.8	MB609 656
178	9	Pulley	91-96	84.08	MR360 357
2283		SOHC	97-99	56.45	MB878 243
2284		DOHC	97-98	84.08	MR360 357
2781			99	84.08	MR360 357
179	10	plate	91-96	27.56	MB630 337
2287		SOHC	97-99	16.78	MB298 557
2288		DOHC	97-99	27.56	MB630 337
180	11	bolt	91-96	4.96	MU240 117
2289		SOHC	97-99	5.17	MB379 661
2290		DOHC	97-99	4.96	MU240 117

# LABOR: After compressor is removed.  
 † PARTS: Part is listed in the ENGINE/TRANSAXLE group, under ENGINE MOUNTING subgroup.

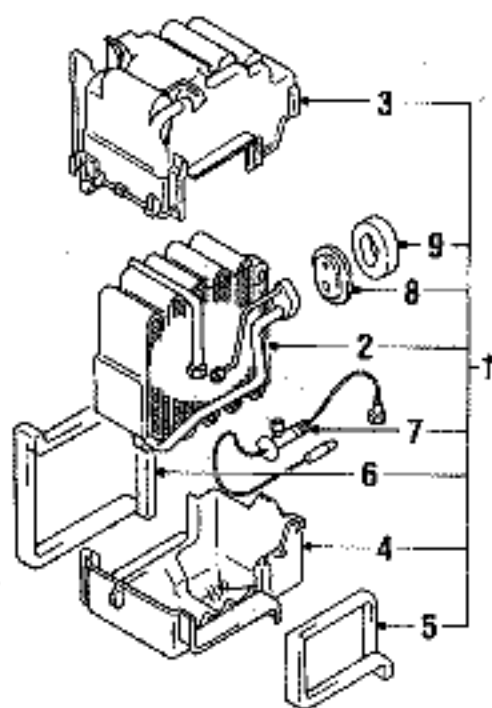
CONTINUED



**AIR CONDITIONER & HEATER (CONT)**

**HOSES & PIPES**

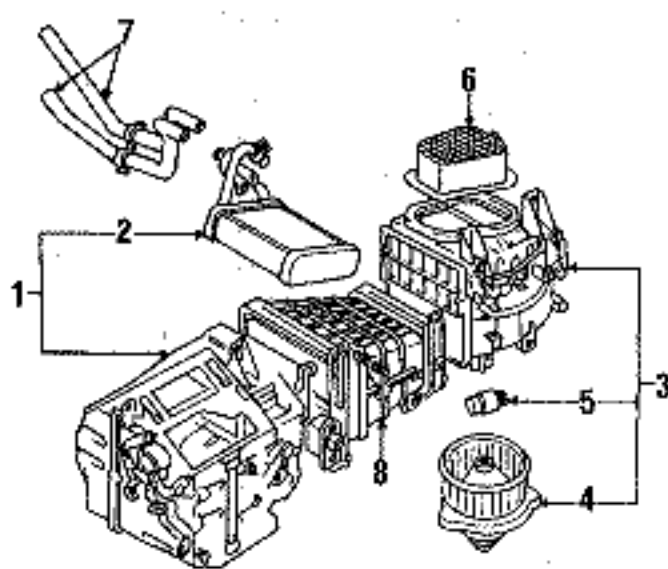
Hose		Pipe	
181	1 compressor to condenser from compressor	182	2 comp to condenser
1568	91-93 90.65 m 0.8 MB609 535	1569	94-99 40.61 m 0.8 MB609 539
	94-99 94.68 m 0.8 MR168 778	163	3 condenser to drier
		1976	91-93 55.13 m 0.8 MB609 538
			94-99 57.75 m 0.8 MB899 234
184	4 receiver to evaporator from receiver	187	7 to compressor
1571	91-93 25.76 m 1.5 MB609 543	1575	91-93 201.96 m 1.5 MB609 536
185	5 to evaporator	2201	94-96 221.97 m 1.5 MR149 281
1572	91-93 34.06 m 1.8 MB609 544	2292	94-99 221.97 m 1.5 MR149 280
	94-99 33.29 m 1.8 MB947 470		
Hose		Hose	
186	6 evaporator to compressor	187	7 to compressor
1573	91-93 151.63 m 1.5 MB609 545	1575	91-93 201.96 m 1.5 MB609 536
1574	fm evap w/o turbo	2201	94-96 221.97 m 1.5 MR149 281
1574	94-99 132.45 m 1.5 MB947 465	2292	94-99 221.97 m 1.5 MR149 280
1574	fm evap w/turbo		
187	7 to compressor		
1575	91-93 201.96 m 1.5 MB609 536		
1575	94-96 221.97 m 1.5 MR149 281		
2201	94-99 149.74 m 1.5 MR149 280		
2292	94-99 138.73 m 1.5 MR270 548		



**EVAPORATOR ASSEMBLY**

1338	1 manual AC	188	2 auto AC
188	91-93 490.97 m 5.0 MB609 525	1576	94-96 601.59 m 5.0 MB958 434
1576	91-93 502.57 m 5.0 MB609 526	2233	97-99 502.57 m 5.0 MR262 766
1576	w/o turbo	1577	94-99 601.59 m 5.0 MB947 461
2233	97-99 502.57 m 5.0 MR262 766	1578	94-99 415.79 m 5.3 MR168 023
1577	w/turbo		
189	3 Core		
1578	91-93 357.17 m 5.3 MB630 454		
	94-99 415.79 m 5.3 MR168 023		
Housing		Blower Assy	
190	3 upper	1790	Blower Assy
191	4 lower		# SEE FOOTNOTE
192	5 gasket		
193	6 gasket		
194	7 Expansion valve		
1579	91-93 54.99 MB630 450		
195	8 grommet		
196	9 Insulator		
197	Insulator		
198	Blower Assy		

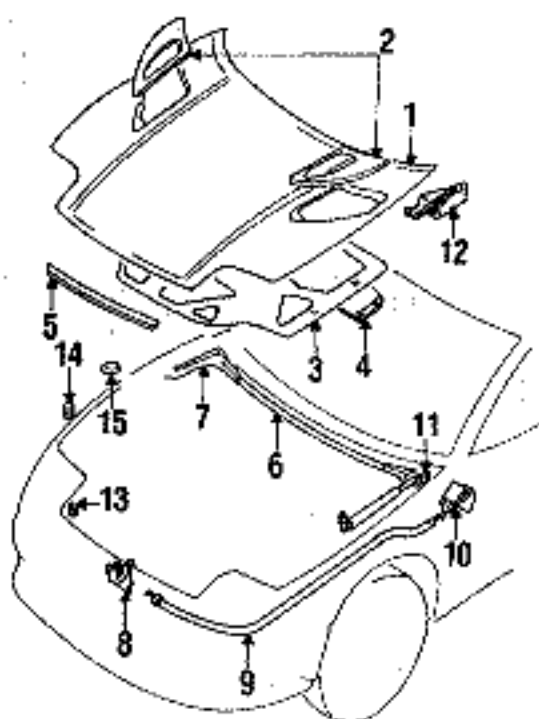
# PARTS: Part located in HEATER group.



**HEATER**

197	1 Heater Assy		
2783	manual AC	91-98 277.52 m 2.8 MB657 830	
198	auto AC	99 257.63 m 2.8 MR398 781	
2784	91-98 281.88 m 2.8 MB657 831		
199	2 Core	99 257.63 m 2.8 MR398 782	
260	3 Blower Assy	91-99 218.27 m 6.0 MB657 227	
2785	manual AC	91-98 221.23 m 1.0 MB657 835	
201	auto AC	99 268.33 m 1.0 MB657 233	
2786	91-98 223.38 m 1.0 MB657 836		
202	4 Fan & motor	99 249.13 m 1.0 MR360 394	
203	5 Relay	91-99 176.55 m 1.3 MB657 230	
204	6 Air guide	91-97 18.98 MB084 670	
205	7 Hose & tube Assy	91-99 6.53 MB813 262	
2234	SOHC	91-96 21.20 MB698 901	
2235	DOHC	97-99 19.43 MR124 827	
		97-99 21.20 MB698 901	
Air duct			
208	8 w/o AC	91-96 14.50 MB568 566	

**HOOD**



**REFINISHING NOTES**

207	Refn hood underside	91-99 p2.0	
208	R&I hood Assy	91-99 0.6	

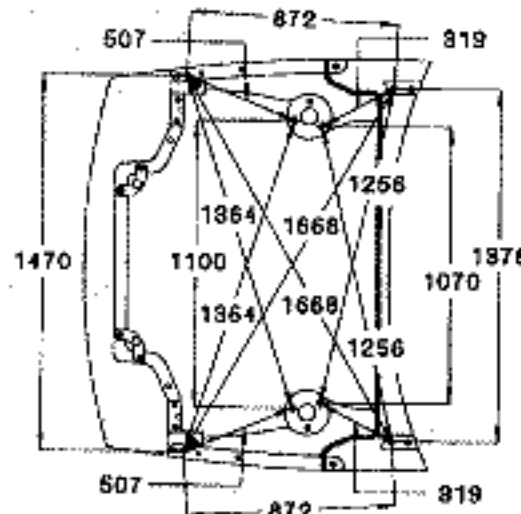
**PARTS AND R&R OPERATIONS**

<b>HOOD &amp; COMPONENTS</b>			
210	1 Hood	(p.4) 91-93 431.13 1.4 MB637 513	
1580	2 Finish panel	(p.4) 94-99 431.13 1.4 MB907 987	
211	gasket	(p.4) 91-93 R 36.28 0.3 MB866 704	
212	insulator	(p.4) 91-93 L 36.28 0.3 MB866 703	
213	clip	91-93 7.79 MB632 405	
214	3 Protector	91-99 44.17 0.3 MB632 383	
215	clip	91-99 1.15 MB270 053	
216	4 Weatherstrip	91-99 39.17 MB640 907	
217	5 on front hood	91-99 4.90 0.2 MB632 415	
219	6 on cowl	91-99 11.37 0.2 MB632 417	
221	7 on apron	91-99 R 18.08 0.2 MB632 420	
222	clip	91-99 L 18.08 0.2 MB632 419	
218	8 on front hood	91-99 1.18 MU481 027	
220	9 on cowl	91-99 1.18 MU481 027	
223	10 on apron	91-99 .49 MS470 075	
224	11 Lock	91-99 20.18 0.5 MB632 388	
225	12 Release cable	91-99 10.57 1.0 MB632 395	
226	13 clip	91-99 .47 MB011 808	
227	14 Handle	91-96 6.46 MB766 466	
2296	15 Support cylinder	97-99 6.53 MR734 393	
228	16 Support cylinder	91-99 R 85.97 0.3 MB843 870	

229	91-99 L 85.97 0.3 MB843 869
230	12 Hinge (p.3) 91-99 R 24.98 # 0.3 MB632 328
231	(p.3) 91-99 L 24.98 # 0.3 MB632 327
<b>Hood bumper</b>	
232	13 front 91-99 3.15 0.1 MU720 002
233	14 side 91-99 2.67 0.1 MB270 408
	15 rear
234	to 1/91 91 .95 0.1 MB133 590
1838	from 1/91 91-99 3.15 0.1 MU720 002

# LABOR: After hood is removed.

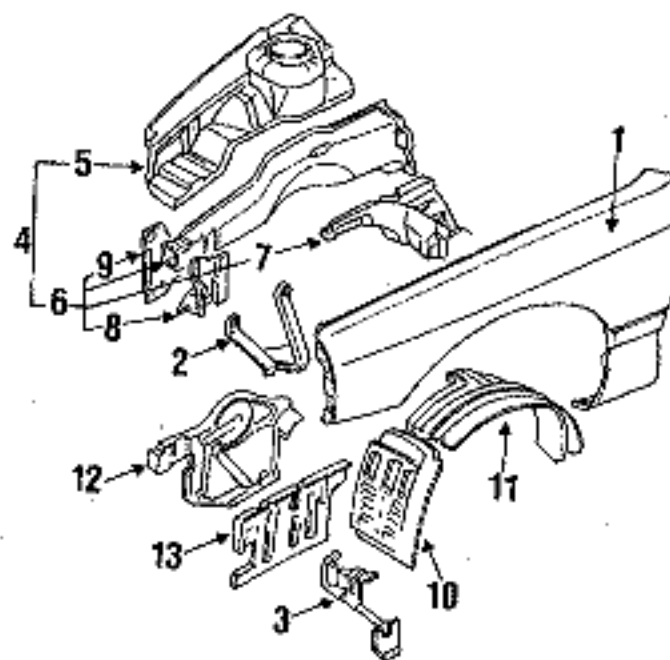
**UNDERHOOD DIAGRAM**



**UNDERHOOD DIAGRAM 1991-98 3000GT**

Refer to MOTOR "COLLISION REPAIR DATA" manual for complete vehicle dimensions. All dimensions provided are in millimeters.

**FENDER**



**REFINISHING NOTES**

Add for stone guard if required. See Guide to Estimating.

<b>Refn fender</b>	
235	edges 91-99 p.5
<b>OVERLAP OPERATIONS</b>	
<b>R&amp;R fender Assy with bumper off</b>	
1771	deduct 91-99 0.4
<b>R&amp;R apron Assy with rad support off</b>	
1772	deduct 91-99 1.5
<b>R&amp;I OPERATIONS</b>	
1419	R&I fender Assy 91-99 B 3.5
<b>PARTS AND R&amp;R OPERATIONS</b>	
<b>FENDER &amp; COMPONENTS</b>	
237	1 Fender (p.25) 91-99 R 246.23 4.0 MB637 536
238	(p.25) 91-99 L 246.23 4.0 MB637 535
<b>bracket</b>	
259	2 front 91-99 R 10.27 MB637 520
260	91-99 L 10.27 MB637 519
261	3 rear 91-99 28.27 MB637 521

**EXTERIOR TRIM**

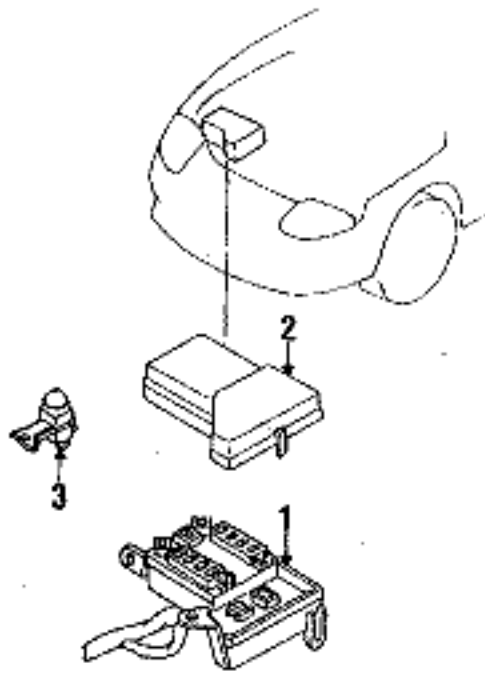
1459	Mold guard 91-99 R 17.66 0.2 MB518 935
1460	91-99 L 17.66 0.2 MB518 934
1773	Molding 91-99 1 SEE FOOTNOTE

**STRUCTURAL COMPONENTS & RAILS**

<b>4 Apron Assy</b>	
w/o turbo	
239	w/o ABS (p.15) 91-99 R 506.85 #s 11.0 MB637 418
240	(p.15) 91-99 L 522.06 #s 11.0 MB637 417
241	w/ABS (p.15) 91-99 R 506.85 #s 11.0 MB637 420
242	(p.15) 91-99 L 522.06 #s 11.0 MB637 417
243	w/turbo (p.15) 91-99 R 506.85 #s 11.0 MB637 420
244	(p.15) 91-99 L 506.85 #s 11.0 MB637 419

5 Wheelhouse				
w/o turbo				
245	w/o ABS	(p1.0) 91-99 R	282.45 # s	8.0 MB637 524
246		(p1.0) 91-99 L	282.45 # s	8.0 MB637 523
247	w/ABS	(p1.0) 91-99 R	279.70 # s	8.0 MB637 526
248		(p1.0) 91-99 L	282.45 # s	8.0 MB637 523
249	w/turbo	(p1.0) 91-99 R	279.70 # s	8.0 MB637 526
250		(p1.0) 91-99 L	274.22 # s	8.0 MB637 525
251	6 Sidemember Assy	91-99 R	311.78 # s	7.0 MB835 678
252		91-99 L	311.78 # s	7.0 MB835 677
253	7 Sidemember	91-99 R	170.70 s	4.0 MB637 430
254		91-99 L	167.35 s	4.0 MB637 429
gusset				
255	8 inner	91-99 R	48.50	MB637 428
256		91-99 L	48.98	MB637 427
257	9 outer	91-99 R	48.98	MB637 426
258		91-99 L	49.95	MB637 425
Splash shield				
wheelhouse				
264	10 front	91-94 R	21.19	0.3 MB861 148
265		91-94 L	21.19	0.3 MB861 147
1786		95-96 R	19.15	0.3 MR124 478
1788		95-96 L	19.67	0.3 MR124 479
2789		97-99 R	17.77	0.3 MR325 570
2790		97-99 L	17.77	0.3 MR325 569
262	11 rear	91-94 R	21.20	0.3 MB698 864
263		91-94 L	21.20	0.3 MB698 863
1790		95-96 R	19.67	0.3 MR124 480
1791		95-96 L	19.67	0.3 MR124 479
2787		97-99 R	21.20	0.3 MB698 864
2788		97-99 L	21.20	0.3 MB698 863
268	12 engine side	91-96 R	26.57	0.3 MB640 782
269	13	91-96 L	23.43	0.3 MB640 781
2302	2WD	97-99 R	26.57	0.3 MB640 782
2303		97-99 L	23.43	0.3 MB640 781
2304	4WD	97-99 R	27.65	0.3 MB935 460
2305		97-99 L	23.43	0.3 MB640 781
270	clip	91-99	1.48	MB547 806

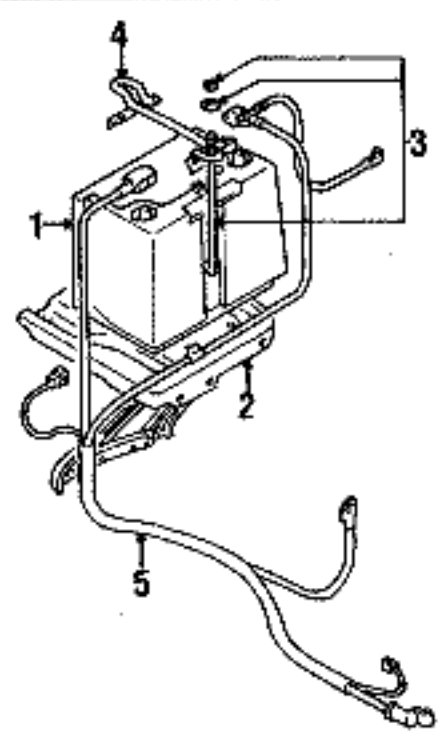
# LABOR: After all necessary boted on parts are removed.  
 † PARTS: Part located in ROCKER PANEL & FLOOR group



COMPONENTS ON APRON				
1 Fuse box main				
271	w/o ABS	91-94	62.57 m 1.0	MB649 010
272	w/ABS	91-94	62.57 m 1.0	MB649 011
1792	all	95-98	62.57 m 1.0	MB649 010
273	Relay	91-98	32.34 # m 0.3	MB543 648
2791		99	7.07 # m 0.3	MR122 409
274	2 Cover	91-94	7.49	MB649 012
1793		95-99	15.56	MR158 424
275	3 Horn switch	91-99	16.32	MB629 287
1751	Air bag sensor	91-99	†	SEE FOOTNOTE

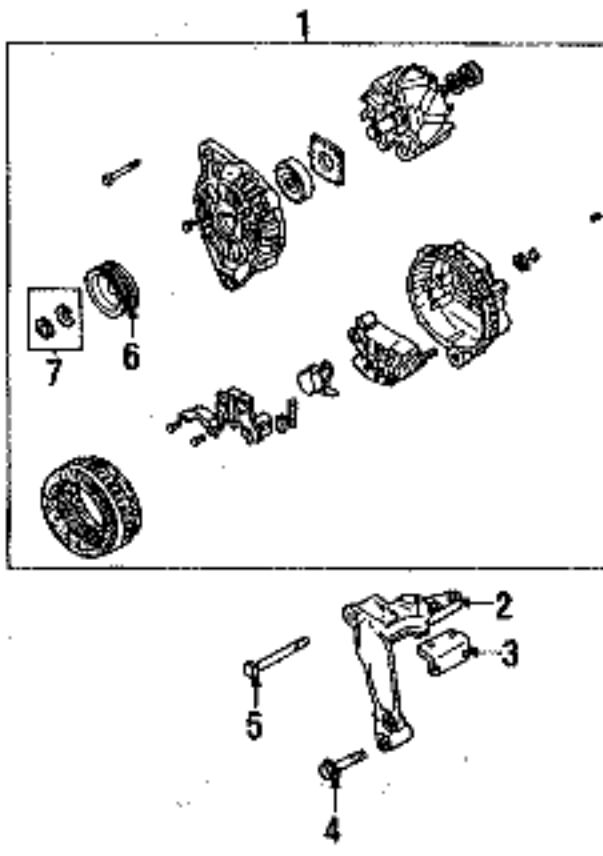
# PARTS: Order by description.  
 † PARTS: Part located in RESTRAINT SYSTEMS group.

ELECTRICAL



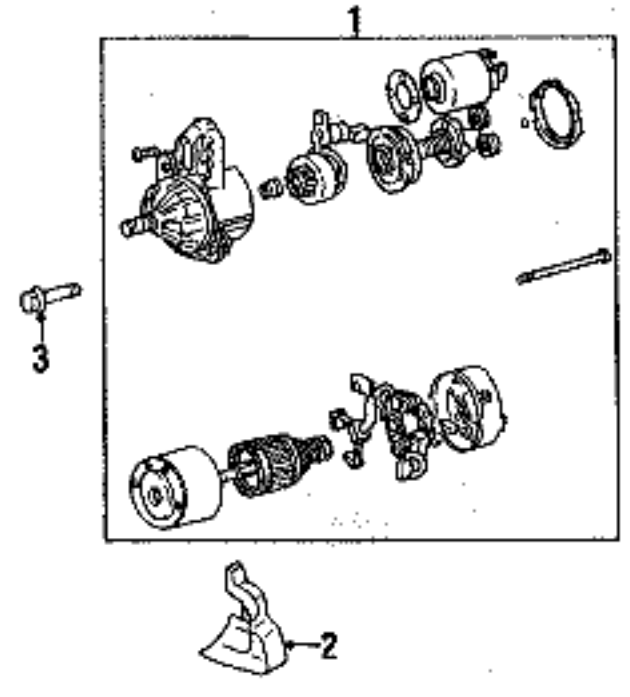
PARTS AND R&R OPERATIONS

BATTERY				
1340	1 Battery	91-99	84.50 m 0.3	A993F B1X02
276	2 Tray	91-99	58.12 m 0.5	MB640 900
1341	3 Hold down	91-99	4.33	MB241 963
1342	4 Strap	91-99	9.50	MB629 296
1461	5 Starter relay	91-99	31.32	MB629 081
5 Battery cable				
2WD				
277	manual trans	91-94	77.17 m 0.8	MB629 311
1794		95-99	78.36 m 0.8	MR159 716
279	auto transpos.	91-94	77.17 m 0.8	MB629 312
1795		95-96	m 0.8	NOT LISTED
2306		97-99	78.36 m 0.8	MR159 717
280	auto trans/heg	91-94	32.15 m 0.5	MB629 314
1796		95-96	m 0.5	NOT LISTED
2307		97-99	32.15 m 0.5	MB629 314
278	4WD	91-94	77.17 m 0.8	MB629 313
1797		95-96	m 0.8	NOT LISTED
2308		97-98	78.19 m 0.8	MR159 718
2792		99	59.54 m 0.8	MR159 658

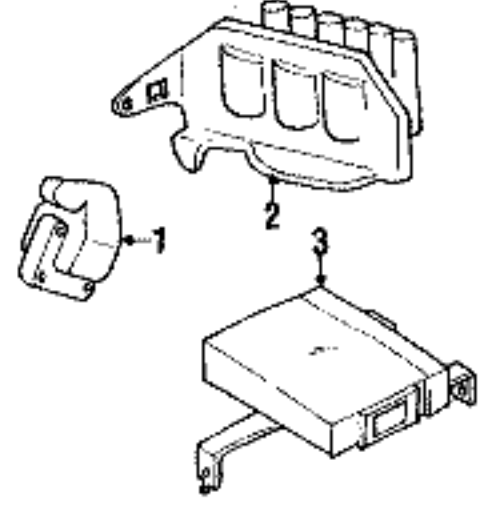


ALTERNATOR				
281	1 Alternator	91-96	328.45 m 1.0	M1506 57D
2309	90 amp	97-99	268.07 m 1.0	MD354 816
2310	95 amp	97-98	352.54 m 1.0	M3247 54D
2793		99	m 1.0	MD354 815
282	2 adjust bracket	91-99	42.68	MD162 824
284	3 brace	91-99	18.93	MD158 584
1659	nut	91-99	1.57	MD611 587
bolt				
4 flanged				
1660	10x30	91-99	2.15	MD161 896
1661	8x30	91-99	.85	MF140 759
1662	10x60	91-99	1.72	MF140 800
1663	8x20	91-99	.85	MF140 755
1664	8x25	91-99	.85	MF140 757
5 unflanged				
1665	8x100	91-99	2.18	MD102 126
282	6 Pulley	91-92	67.95 m 0.6	MD618 341
1656		93-96	38.01 m 0.6	MD618 770
2312	SOHC	97-99	33.57 m 0.6	MD619 082
2313	DOHC	97-99	38.01 m 0.6	MD618 770
1657	7 nut	91-92	1.08	MD618 563

1658	93-96	3.05	MD618 587
2311	97-99	1.28	MD618 927

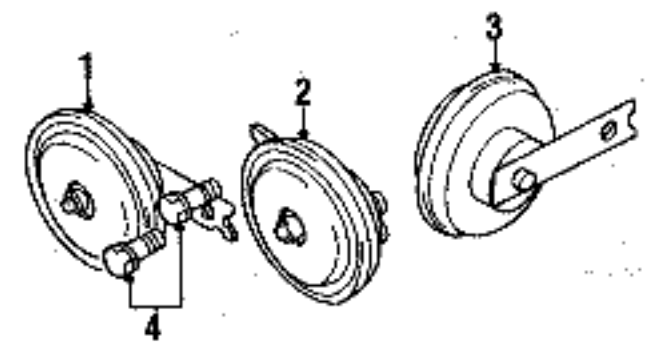


STARTER				
1 Starter				
manual trans				
2794	non-turbo	91-93	161.12 m 0.7	M3133 27D
2795		94-99	190.00 m 0.7	M3069 97D
2796	turbo	91-99	161.12 m 0.7	M3133 27D
2797	auto trans	91-93	161.12 m 0.7	M1628 43D
2798		94-99	208.33 m 0.7	M3069 98D
2800	2 cover	91-93	16.71	MD170 546
2807		94-99	17.17	MD195 598
2808	3 bolt	91-99	1.52	MF140 269



IGNITION SYSTEM				
285	1 Coil	91-96	134.52 m 0.6	MD152 648
2314	SOHC	97-99	185.30 m 0.6	MD160 532
2315	DOHC	97-99	134.52 m 0.6	MD152 648
286	3 Control module	91-96	157.47 m 0.6	MD152 999
w/o turbo				
1343	Federal	91-95	842.92 # m 1.0	MD159 963
2800		96-98	927.99 # m 1.0	MD347 252
2801		99	813.57 # m 1.0	MD360 161
287	California	91-95	991.67 # m 1.0	MD159 962
2804		96-98	927.99 # m 1.0	MD347 251
2805		99	813.57 # m 1.0	MD360 162
w/turbo				
1344	Federal	91-97	991.67 # m 1.0	MD159 966
2802		98	901.94 # m 1.0	MD347 250
2803		99	813.57 # m 1.0	MD360 163
1345	California	91-97	1013.88 # m 1.0	MD159 965
2659		98	901.94 # m 1.0	MD347 250
2799		99	813.57 # m 1.0	MD360 163
8752	Ignition switch	91-99	†	SEE FOOTNOTE

# PARTS: Order by model, engine, and transmission description.  
 † PARTS: Part located in STEERING COLUMN group.



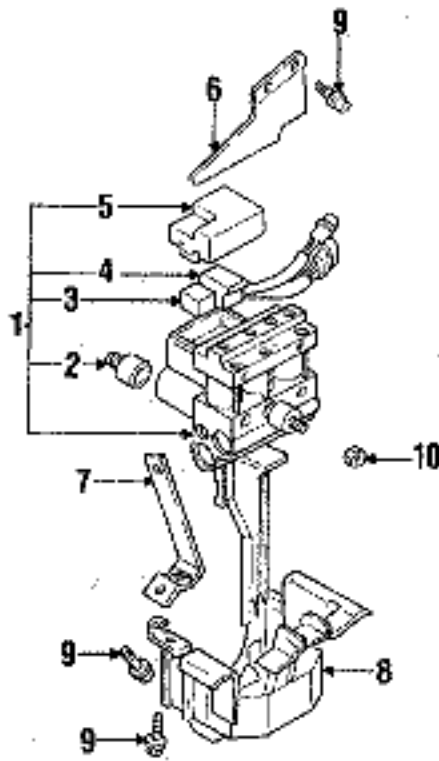
ANTENNA				
1755	1 Antenna Assy	91-99	†	SEE FOOTNOTE
HORN				
Horn				
288	1 high note	91-99	29.81 0.8	MB530 847
288	2 low note	91	29.81 0.8	MB530 844
1346		92-99	32.02 0.8	MB530 842

CONTINUED

## ELECTRICAL (CONT)

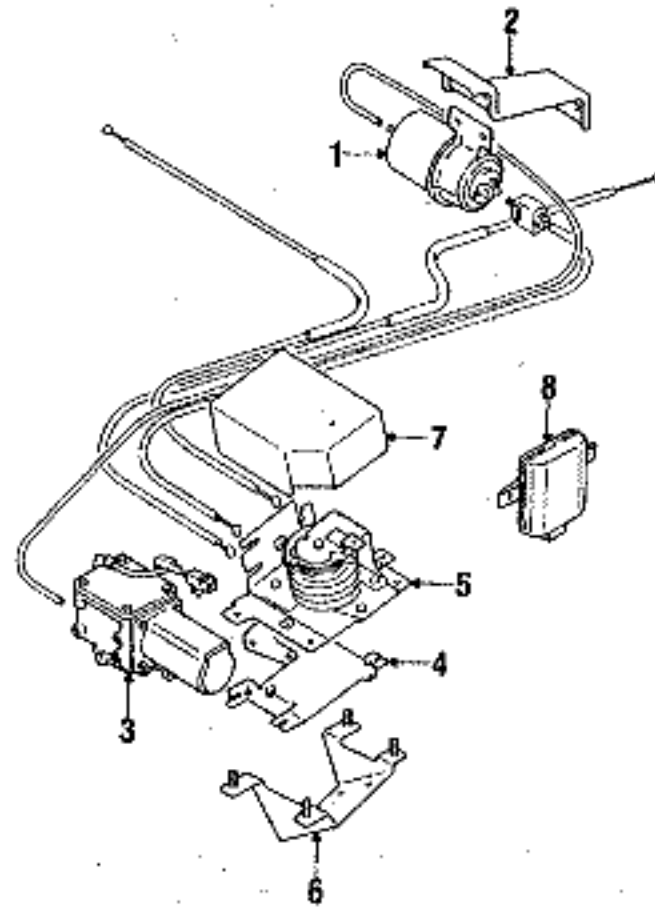
13473	anti-fret.....	91-99	30.10	0.8	MB814 917
28294	bolt.....	91-99	.38		MS240 050
1462	Horn relay.....	91-99	7.07	0.3	MR122 409

† PARTS: Part located in QUARTER PANEL group.



### ABS COMPONENTS 1991-95

<b>1 Modulator</b>					
1463	2 wheel drive.....	91-95	2649.50	m 1.0	MB668 391
1464	all wheel drive.....	91-95	2649.50	m 1.0	MB668 392
1465	Insulator.....	91-95	11.64		MB857 832
<b>Relay</b>					
1463	valve.....	91-95	66.85	m 0.4	MB858 789
1464	motor.....	91-95	182.55	m 0.4	MB618 039
1465	Cover.....	91-94	57.92		MB857 759
1799		95	11.64		MB857 832
1466	Plate.....	91-95	8.69		MB699 775
1470	Support bracket.....	91-95	6.27		MB699 044
1471	Lower support.....	91-95	28.50		MB699 030
1472	screw.....	91-95	.61		MF247 249
1473	nut.....	91-95	.43		MF430 005



### CRUISE CONTROL SYSTEM

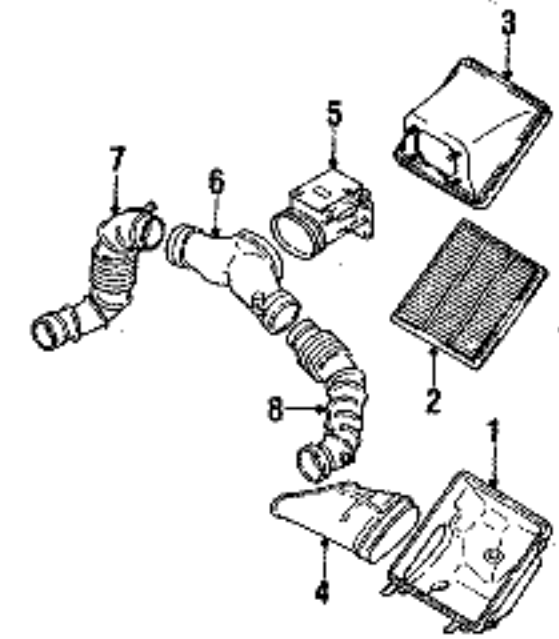
292	1 Actuator.....	91-99	430.90	m 0.7	MB852 153
293	2 bracket.....	91-99	5.35		MB686 886
294	3 Vacuum pump.....	91-99	118.53	m 0.5	MB666 702
295	4 bracket.....	91-99	13.84		MB686 887
296	5 Link Assy.....	91-99	85.10		MB686 884
297	6 bracket.....	91-99	13.84		MB686 885
298	7 Cover.....	91-99	5.44		MB686 494
<b>8 Control module</b>					
239	to 8/90.....	91	182.10	m 0.7	MB852 999
1348	from 8/90.....	91-99	248.90	m 0.7	MR400 408

### ENGINE / TRANSAXLE

#### R&I OPERATIONS

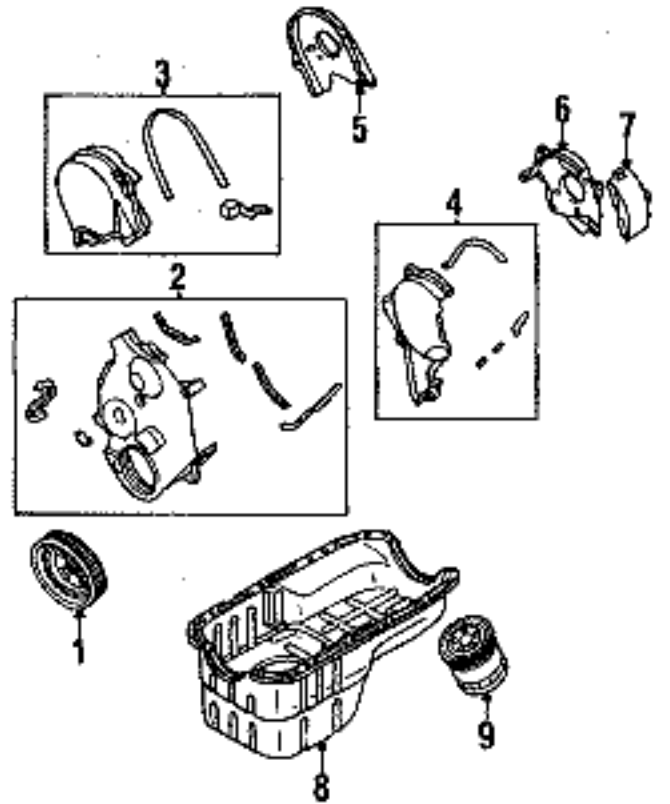
309	R&I engine Assy.....	91-99		m 8.0	
-----	----------------------	-------	--	-------	--

#### PARTS AND R&R OPERATIONS



### AIR INLET 3.0 LITER W/TURBO

312	1 Body.....	91-99	206.20	m 0.5	MD620 527
313	2 Element.....	91-99	21.50		MD620 472
314	3 Cover.....	91-96	62.63		MD620 471
2322		97-99	49.27		MB957 338
315	4 Inlet duct.....	91-99	14.40	0.3	MD161 802
316	5 Air mass sensor.....	91-93	415.67	m 0.7	MD170 165
1583		94-99	498.26	m 0.7	MD183 618
317	gasket.....	91-99	5.63		MD151 672
318	6 Connector.....	91-99	96.93	0.3	MD161 260
319	clamp.....	91-99	3.57		MD151 059
320	7 Air duct.....	91-99 R	92.08	0.3	MD164 328
321	8 clamp.....	91-99 L	101.48	0.3	MD164 329
322	inlet.....	91-99	3.15		MD132 568
323	outlet.....	91-99	3.89		MD132 287



### ENGINE PARTS 3.0 LITER SINGLE OVERHEAD CAM

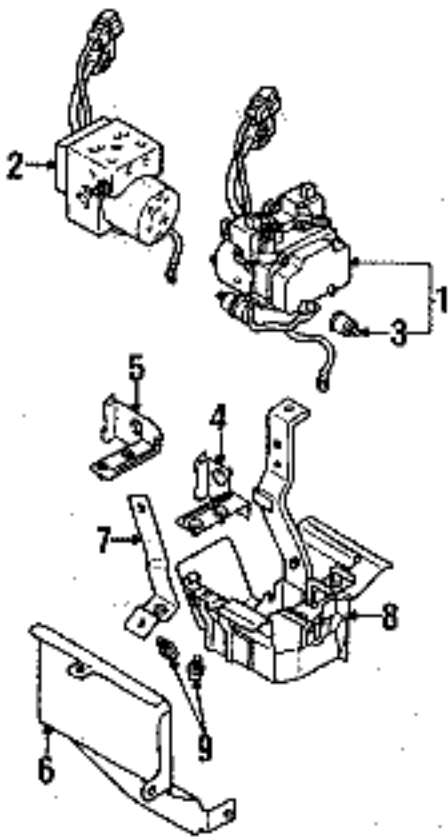
ADD IF REQUIRED

#### R&R oil pan

2826	add for 4 wheel drive.....	97-99		m 1.0	
------	----------------------------	-------	--	-------	--

#### PARTS AND R&R OPERATIONS

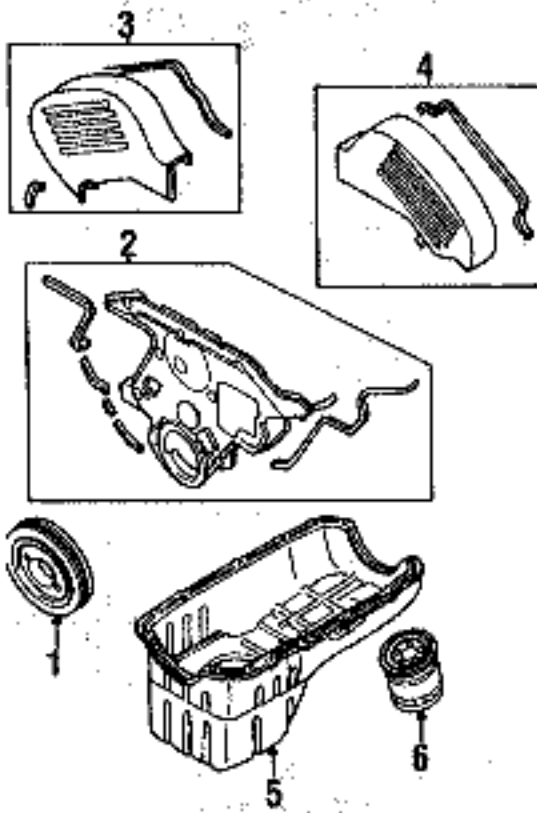
2823	1 Crankshaft pulley.....	91	214.96	m 0.7	MD176 766
2824		92-96	220.45	m 0.7	MD177 199
2324		97-99	161.15	m 0.7	MD138 339
<b>Timing cover</b>					
2628	2 front lower.....	91-92	42.77		MD175 651
2820		93-96	40.90		MD192 109
2325		97-99	19.10		MD332 463
2825	3 front upper.....	91-92	41.07		MD175 653
2827		93-96	39.93		MD192 110
2348		97-99	22.18		MD104 018
2830	4 rear lower.....	91-92	29.49		MD175 655
2831		93-96	40.90		MD188 084
2326		97-99	24.72		MD141 159
2347	5 rear upper.....	97-99 R	26.47		MD104 031
2327		97-99 L	26.47		MD104 030
2349	7 shield.....	97-99	14.32		MD136 711
2835	8 Oil pan.....	91-99	127.42	m 2.5	MD189 198
2328	9 Oil filter.....	91-99	8.00	m 0.3	MD352 626



### ABS COMPONENTS 1996-99

<b>Modulator</b>					
2810	1 w/o 4 wheel steering.....	96	2649.50	m 1.0	MB668 391
2811	w/4 wheel steering.....	96	2649.50	m 1.0	MB668 392
2319	2 all.....	97-99	1767.65	m 1.0	MR249 541
2813	3 Insulator.....	96	60.08	#	MR205 605
2814	4 bracket.....	96	5.67		MR205 416
2815		97-99	14.81		MR307 731
2816	5 Shield.....	96-97	26.46		MR128 101
2820		98-99			NOT LISTED
<b>Bracket</b>					
2817	7 upper support.....	96-99	6.27		MB699 044
2001	8 lower support.....	96	160.74		MR205 095
2320		97-99	28.77		MR249 537
2819	9 screw.....	96-99	.61		MF247 249
2818	nut.....	96-99	.43		MF430 005

# PARTS: Part included with modulator.



**ENGINE PARTS**  
**3.0 LITER DUAL OVERHEAD CAM**

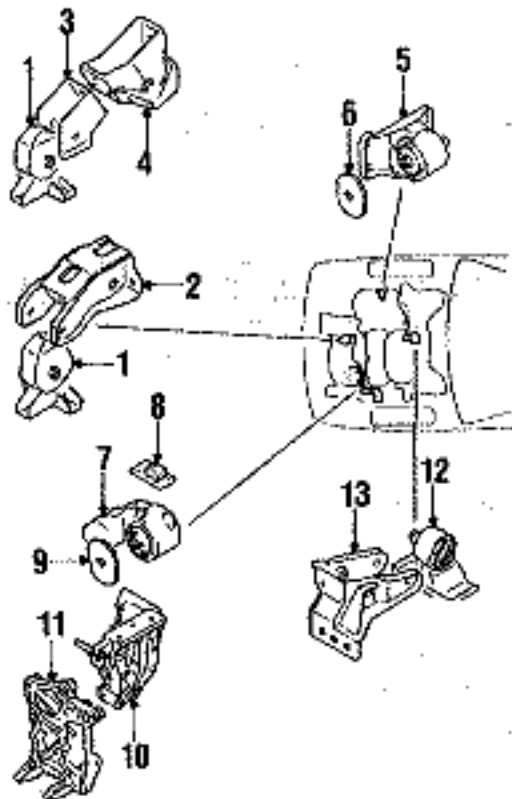
ADD IF REQUIRED

**R&R oil pan**

2227	add for 4 wheel drive	91-99	m 1.0	
------	-----------------------	-------	-------	--

**PARTS AND R&R OPERATIONS**

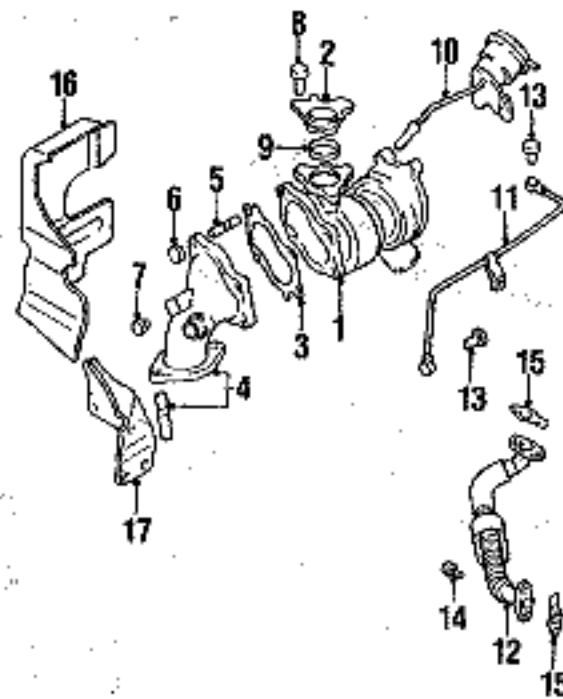
324	1 Crankshaft pulley	91	199.82	m 0.7	MD166 815
2340		92-99	220.45	m 0.7	MD177 199
<b>Timing cover</b>					
1349	2 lower	91-94	42.77	m 1.5	MD175 651
2341		95-99	40.90	m 1.5	MD192 109
326	3 upper fr cyl bank to 12/90	91	24.27	m 0.3	MD162 457
1350	from 12/90	91-94	41.07	m 0.3	MD175 653
1801		95-99	39.93	m 0.3	MD192 110
327	4 upper rear cyl bank to 12/90	91	36.14	m 0.3	MD167 063
1351	from 12/90	91-94	29.49	m 0.3	MD175 655
1802		95-99	40.90	m 0.3	MD188 084
<b>Oil pan</b>					
328	5 w/o turbo	91-94	121.87	m 2.5	MD156 248
1803		95-99	127.42	m 2.5	MD189 198
329	w/turbo	91-94	120.68	m 3.5	MD166 157
1804		95-99	133.07	m 3.5	MD199 562
330	6 Oil filter	91-99	8.00	m 0.3	MD352 626



**ENGINE MOUNTING**

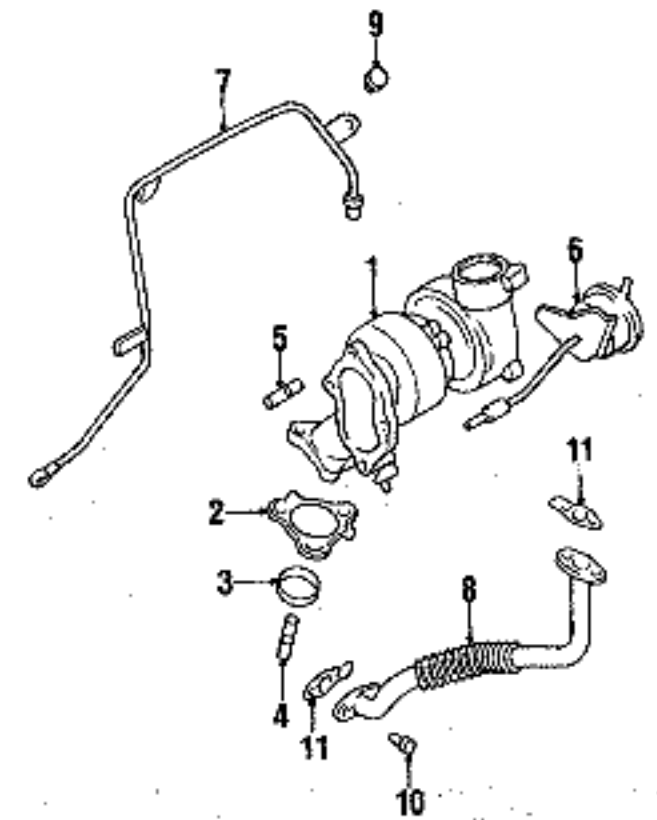
<b>1 Front mount</b>					
331	2WD	91-99	64.69	m 1.0	MB691 474
332	all wheel drive	91-99	48.04	m 1.0	MB581 703
333	bolt	91-99	2.57		MB844 739
<b>Mount bracket</b>					
334	2 2WD	91-99	110.97		MD301 042
all wheel drive					
335	3 front	91-99	27.18		MD153 738
336	4 rear, to 12/90	91	112.86		MD170 575
1352	rear, fr 12/90	91-99	123.88		MD177 094
<b>5 Side mount</b>					
337	2WD, right	91-99	60.55	m 1.0	MB581 696
all wheel drive					
1353	to 6/91	91	60.55	m 1.0	MB581 696
1354	from 6/91	91-99	65.17	m 1.0	MB892 449

338	bolt	91-99	2.93		MB581 508
339	6 stopper	91-99	3.48		MB581 953
<b>7 Side mount</b>					
340	2WD, left	91-93	111.88	m 0.6	MB581 692
2342		94-99	128.12	m 0.6	MR103 903
all wheel drive					
1335	to 6/91	91	111.88	m 0.6	MB581 692
1356	from 6/91	91-94	121.23	m 0.6	MB892 448
1805		95-99	128.12	m 0.6	MB870 005
341	bolt	91-99	5.06		MB436 519
342	8 damper	91-94	13.56	m 0.4	MB691 195
1806		95-99		m 0.4	NOT LISTED
343	9 stopper	91-99	3.48		MB581 953
<b>bracket</b>					
344	10 upper	91-96	118.25		MD162 876
2343	SOHC	97-99	120.78		MD142 250
2344	DOHC	97-99	118.25		MD162 876
345	11 lower	91-94	128.66		MB609 653
1807		95-96	135.01		MR149 149
2345	SOHC	97-99	135.01		MR149 148
2346	DOHC	97-99	135.01		MR149 149
<b>12 Rear mount</b>					
346	2WD	91-99	66.63	m 0.8	MB581 704
347	all wheel drive	91-99	91.05	m 0.8	MB581 705
348	bolt	91-99	4.08		MB864 104
349	13 bracket	91-99	131.93		MD166 609



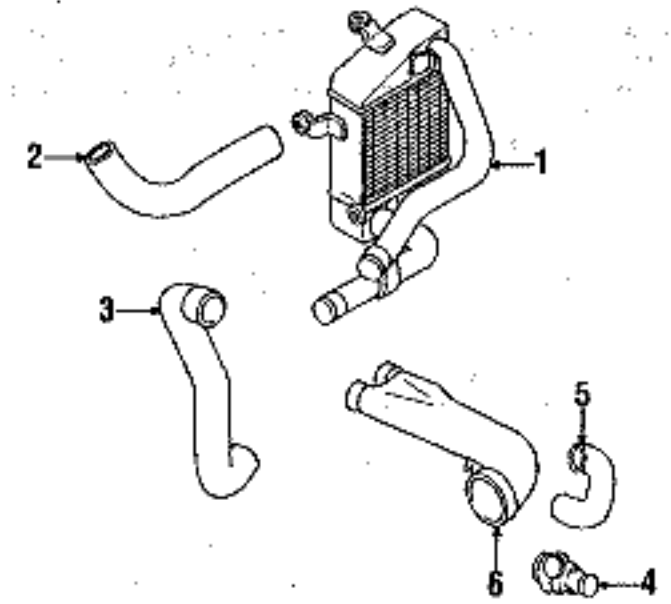
**TURBOCHARGER**  
**RIGHT SIDE**

1668	1 Turbocharger	91-99	1283.57	m 3.1	MD306 220
<b>gasket</b>					
1667	inlet	91-99	3.63		MD168 266
1668	outlet	91-99	4.02		MR188 537
1669	4 Outlet Assy	91-99	112.70		MD168 551
<b>stud</b>					
1670	outlet	91-99	3.07		MD014 195
1671	5 turbocharger	91-99	4.85		MD165 887
1672	6 nut	91-99	5.47		MD132 930
<b>bolt</b>					
1673	7 side	91-99	.90		MD067 956
1674	8 top	91-99	4.37		MD168 601
1675	9 ring	91-99	3.38		MD077 551
1676	10 Actuator	91-99	212.05		MD169 727
1677	11 Oil feed tube	91-99	13.36		MD161 898
1678	12 Return tube	91-99	30.30		MD160 039
1679	13 bolt	91-99	7.83		MF650 102
1680	14 bolt	91-92	1.52		MD089 310
1681		93-99	.77		MD193 110
1682	15 gasket	91-99	1.16		MD194 403
1683	16 shield	91-99	24.75		MD165 464
1685	17 bracket	91-99	21.37		MD165 581



**TURBOCHARGER**  
**LEFT SIDE**

1668	1 Turbocharger	91-99	1270.87	m 3.9	MD306 224
1667	2 gasket	91-99	3.63		MD168 266
1668	3 ring	91-99	3.38		MD077 551
<b>Stud</b>					
1669	4 lower	91-99	3.02		MD050 074
1669	5 upper	91-99	4.85		MD165 887
1669	6 Actuator	91-99	212.05		MD160 173
1667	7 Oil feed tube	91-99	16.12		MD174 793
1668	8 Return tube	91-99	45.11		MR266 015
<b>bolt</b>					
1689	9 upper	91-99	1.00		MF245 450
1896	10 lower	91-92	1.52		MD089 310
1697		93-99	.77		MD193 110
1688	gasket	91-99	1.15		MD194 403

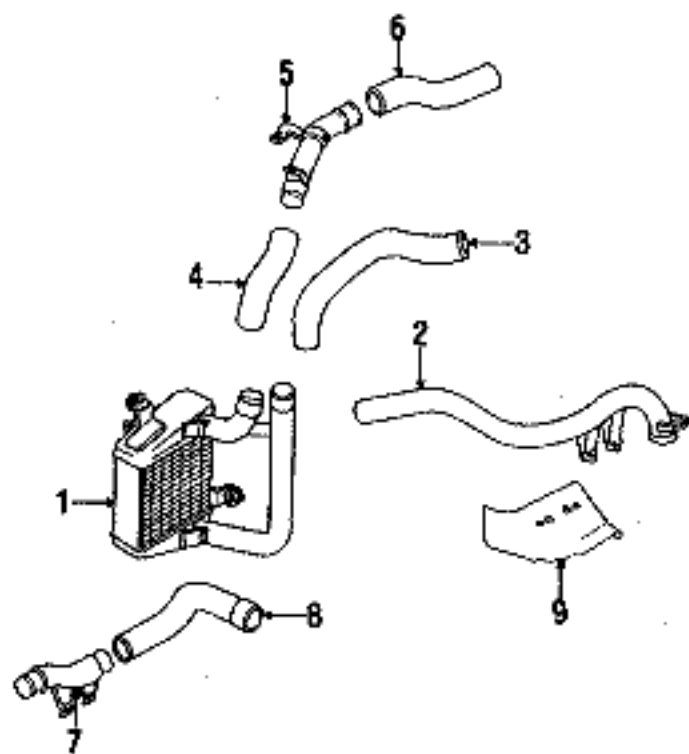


**INTERCOOLER**  
**RIGHT SIDE**

350	1 Intercooler	91-97	480.15	m 1.0	MD162 600
2832		98	530.55	m 1.0	MR323 423
2833		99	460.20	m 1.0	MR431 608
<b>Hose</b>					
351	2 inlet	91-97	51.08	m 0.3	MD156 593
2834		98-99	52.64	m 0.3	MR323 517
352	3 outlet	91-94	64.05	m 0.3	MD158 898
1808		95-97	64.92	m 0.3	MR127 830
2835		98-99	60.23	m 0.3	MR431 614
<b>clamp</b>					
353	large	91-99	5.35		MD166 085
354	small	91-99	16.32		MD133 956
355	4 By-pass valve	91-94	41.00		MD162 219
1809		95-99	44.45		MR127 623
356	5 Hose	91-94	19.79		MD151 603
1810		95-99	20.58		MR127 622
357	clamp	91-99	5.04		MD159 932
<b>Air duct</b>					
358	6 to throttle body	91-99	87.03		MD161 557
359	clamp	91-99	5.93		MD159 931

CONTINUED



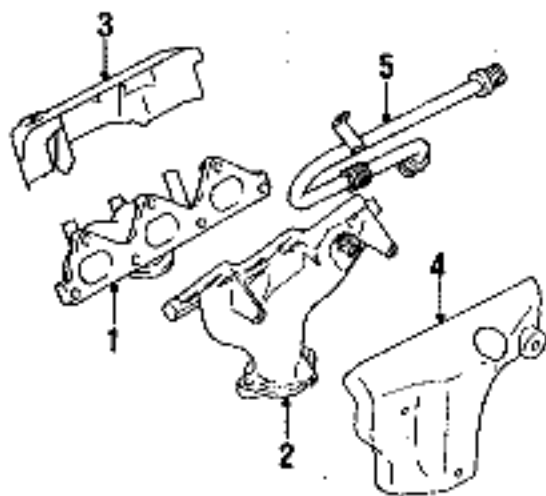


### ENGINE / TRANSAXLE (CONT)

#### INTERCOOLER LEFT SIDE

380	1	Intercooler	91-98	480.15	m	1.0	MD162 601
2326			99	460.20	m	1.0	MR431 609
<b>Inlet hose</b>							
361	2	from turbocharger	91-96	34.65	m	0.5	MD159 780
2350			97-99	37.68	m	0.5	MD175 853
362	3	to intercooler	91-99	62.68	m	0.3	MD156 596
<b>Outlet hose</b>							
363	4	from intercooler	91-99	28.70	m	0.3	MD156 595
364	5	left pipe	91-99	24.27	m	0.3	MD156 588
365	6	center hose	91-99	36.87	m	0.3	MD156 594
366	7	right pipe	91-99	24.27	m	0.4	MD156 587
367	8	to air duct	91-99	42.57	m	0.3	MD158 897
370	9	heat shield	91	12.86			MD164 368
1474			92-99	29.54			MD175 854
<b>clamp</b>							
368		large	91-99	5.35			MD166 085
369		small	91-99	16.32			MD133 956

### EXHAUST SYSTEM



#### OVERLAP OPERATIONS

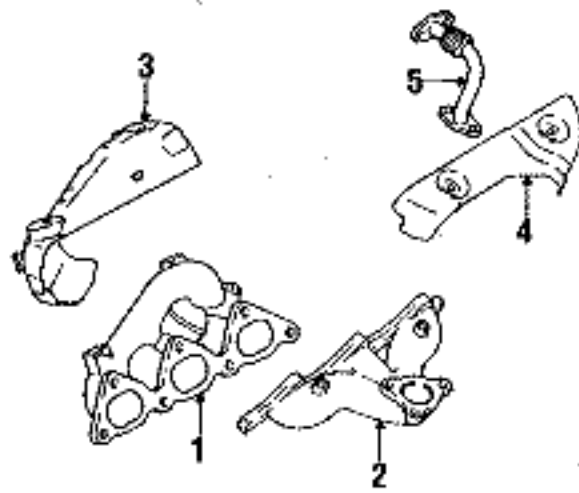
R&R exhaust system rearward of manifolds 91-99 m 2.0

#### PARTS AND R&R OPERATIONS

#### MANIFOLD W/O TURBO

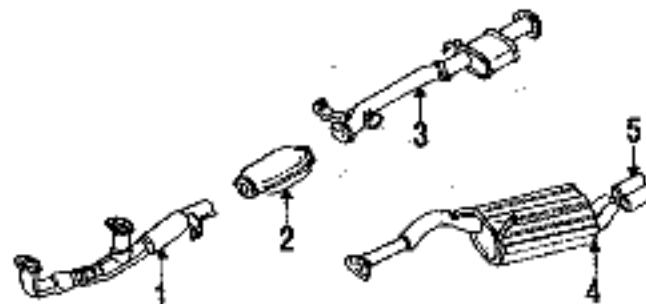
371	1	front	91-95	167.74	m	1.0	MD163 437
2004			96	173.16	m	1.0	MD197 084
2351		SOHC	97-99	188.13	m	1.0	MD302 122
2352		DOHC	97-99	173.16	m	1.0	MD197 084
<b>2 rear</b>							
372		Federal	91-95	167.74	m	1.5	MD163 438
373		California	91-94	167.74	m	1.5	MD163 439
1811			95	188.13	m	1.5	MD303 628
2005		all	96	188.13	m	1.5	MD303 628
2354		SOHC	97-99	188.13	m	1.0	MD303 525
2353		DOHC	97-99	188.13	m	1.5	MD303 628
<b>heat shield</b>							
374	3	front	91-95	30.70			MD158 139
2006			96	32.81			MR161 623
2355		SOHC	97-99	21.61			MR161 622
2356		DOHC	97-99	32.81			MR161 623
<b>4 rear</b>							
375		Federal	91-96	36.86			MD147 572
376		California	91-94	34.93			MD160 248
1812			95-96	36.86			MD147 572
377	5	EGR tube	91-94	42.68			MD160 249
1814			95-96	37.94			MD303 218
2357		SOHC	97-99	36.49			MD199 998

2358 DOHC 97-99 37.94 MD303 218



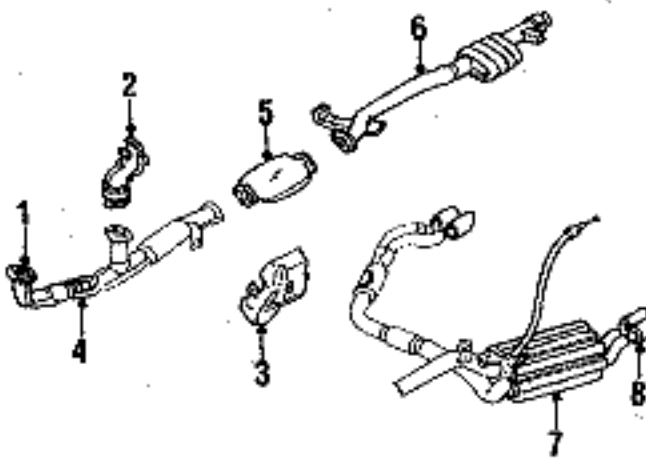
#### MANIFOLD W/TURBO

378	1	front	91-99	176.22	m	2.0	MD165 689
379	2	rear	91-95	172.77	m	2.5	MD165 524
2007			96-99	215.74	m	2.5	MD188 636
<b>heat shield</b>							
380	3	front	91-99	30.10			MD165 462
381	4	rear	91-99	17.46			MD165 526
382	5	EGR tube	91-94	35.45			MD168 437
1813			95-99	38.11			MD191 379



#### EXHAUST SYSTEM W/O TURBO

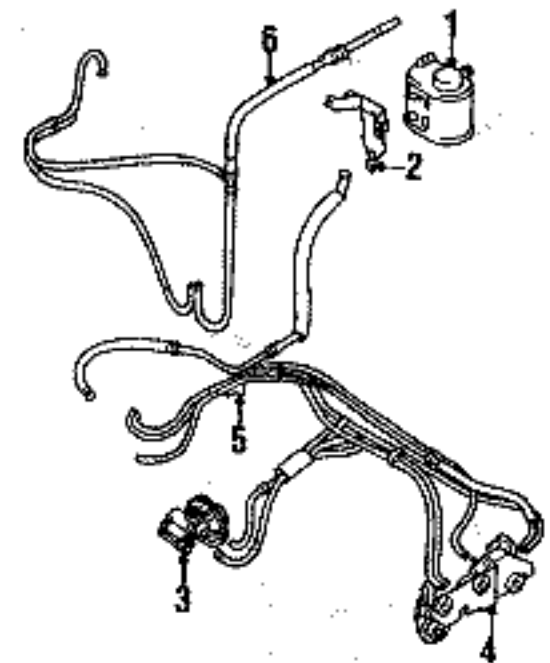
389	1	Front pipe	91-96	544.85	m	1.0	MB651 620
2360			97-99	438.20	m	1.0	MR126 660
<b>2 Catalytic convtr</b>							
389		Federal	91-94	683.64	m	0.8	MD162 136
1816			95	433.51	m	0.8	MB906 264
330		California	91-94	666.55	m	0.8	MD162 137
1817			95	547.91	m	0.8	MR224 995
2008		all	96-99	547.91	m	0.8	MR224 995
391	3	Center pipe	91-99	319.47	m	0.8	MB810 471
392	4	Muffler w/tpipe	91-96	270.07	m	0.6	MB810 316
2363		SOHC	97	254.90	m	0.6	MR204 663
2364		DOHC	97	270.07	m	0.6	MB810 316
2660		all	98-99	270.07	m	0.6	MR355 649
393		heat shield	91-96	17.59			MB857 017
394	5	Diffuser tips	91-99	39.82			MB857 021



#### EXHAUST SYSTEM W/TURBO

395	1	front	91-94	504.89	m	0.8	MD165 818
1819			95-99	420.87	m	0.8	MB925 739
396	2	rear	91-94	520.05	m	0.8	MD168 490
1820			95-99	433.51	m	0.8	MB925 738
397		bracket	91-99	9.52			MD165 765
398	3	heat shield	91-96	36.14			MD168 491
2365			97-99	42.28			MB925 742
399	4	Front pipe	91-94	550.25	m	1.0	MB810 821
1821			95-99	438.20	m	1.0	MB925 753
<b>Catalytic convtr</b>							
400	5	rear	91-94	703.11	m	0.8	MD146 798
1822			95-99	547.91	m	0.8	MR224 996
401	6	Center pipe	91-99	325.80	m	0.8	MB810 800
<b>7 Muffler w/tpipe</b>							
402		to 1091	91	288.18	m	0.6	MB810 314
1337		from 1091	91-94	270.07	m	0.6	MB924 628
1818			95-97	270.07	m	0.6	MR204 664
2661		all	98-99	344.54	m	0.6	MR355 650
403		heat shield	91-96	17.59			MB857 017
404	8	Diffuser tips	91-99	39.82			MB857 021

### EMISSION SYSTEM



#### PARTS AND R&R OPERATIONS

#### EMISSION SYSTEM

#### 1 Vapor canister

<b>w/o turbo</b>							
405		to 5/91	91	44.08	m	0.5	MB504 230
1358		from 5/91 to 6/92	91-92	65.71	m	0.5	MB554 501
1452		from 6/92	92-97	28.52	m	0.5	MB925 801
<b>w/turbo</b>							
406		to 5/91	91	67.95	m	0.5	MB129 500
1359		from 5/91 to 6/92	91-92	66.71	m	0.5	MB554 503
1454		from 6/92	92-97	28.52	m	0.5	MB925 800
2664		all	98-99	60.78			MR160 998
<b>2 bracket</b>							
407		w/o turbo	91-94	9.91			MB621 830
1823			95-97	14.28			MB925 866
2685			98-99	6.69			MR323 574
408		w/turbo	91-94	12.13			MB658 347
1824			95-97	14.28			MB925 867
2637			98-99	8.78			MR323 700
409	3	EGR valve	91-97	114.77 #	m	0.6	MD153 340
2680			98-99	66.79 #	m	0.6	MD198 257
<b>4 Solenoid</b>							
410		w/o turbo	91-94	38.83 #			MD147 883
1925			95-96	57.05 #			MB925 870
2366			97	57.99			MR266 837
1826		w/turbo	95-96	74.16 #			MB925 904
2367			97	121.01			MR266 838
2681		all	98-99	74.66			MR323 589
<b>Hose</b>							
411	5	EGR	91-94	33.64 #			MD157 825
1827			95-97	38.36 #			MD192 075
2662			98-99	50.65 #			MR323 611
412	6	canister	91-94	33.64 #			MD157 815
1828			95-97	38.36 #			MD192 076
2663			98-99	50.65 #			MR323 613

# PARTS: Order by engine and transmission type.

### WHEELS & FRONT SUSPENSION

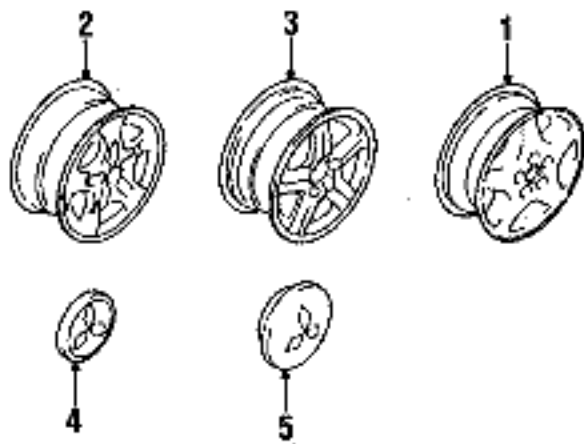
#### ADD IF REQUIRED

<b>Wheel alignment</b>							
422		align front wheels	91-99		m	1.5	
423		adjust front toe-in	91-99		m	0.6	
1824		align four wheels	91-99		m	2.7	
<b>Bleed brake system</b>							
1982		w/o ABS	91-99		m	0.3	
1988		w/ABS	91-99		m	0.5	

#### OVERHAUL OPERATIONS

<b>O/H suspension</b>							
1424		one side	91-99 B		m	3.5	
1428		both sides	91-99		m	6.8	
<b>R&amp;I OPERATIONS</b>							
1420		R&I wheel	91-99		m	0.1	
<b>R&amp;I suspension</b>							
1421		one side	91-99 B		m	2.5	
1422		both sides	91-99		m	4.8	

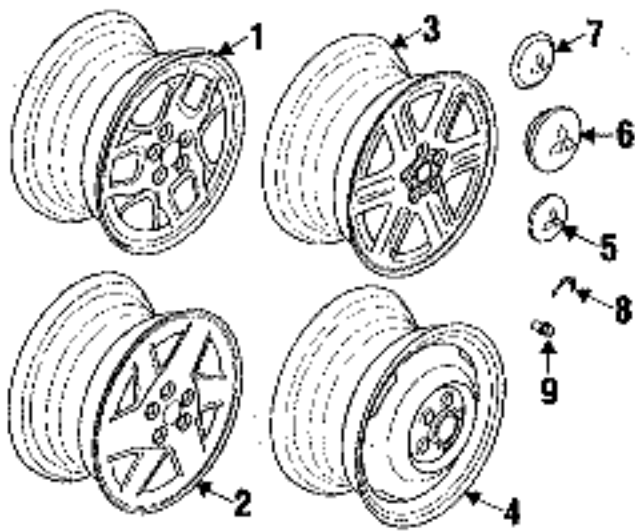
#### PARTS AND R&R OPERATIONS



**WHEELS**  
1991-96

Wheel	8.0" x 16"	8.5" x 17"	w/turbo	w/o chrome plated	w/chrome plated
413 1 type 1	91-93	379.14 #m 0.3	MR844 503		
1584 w/o turbo	94-96	379.14 #m 0.3	MR130 412		
414 2 type 2	91-93	379.14 #m 0.3	MB624 611		
415 3	91-93 R	702.39 #m 0.3	MB624 569		
416	91-93 L	702.39 #m 0.3	MB624 768		
1585 w/o chrome plated	94	499.61 #m 0.3	MR130 411		
1829	95-96	#m 0.3	NOT LISTED		
1588 w/chrome plated	94-96	504.60 #m 0.3	MR130 512		
<b>Spare wheel</b>					
417 16"	91-96	84.58 #	MB624 613		
<b>Center cap</b>					
418 4 16"	91-94	10.02	MB624 751		
1833	95-96	14.58	MR130 781		
419 5 17"	91-94	16.63	MB624 762		
1831	95-96	11.55	MR197 990		
420 clip	91-96	2.23	MB057 268		
421 Wheel nut	91-96	2.23 #	MB579 290		
422 Spare clamp	91-96	10.37	MB531 216		

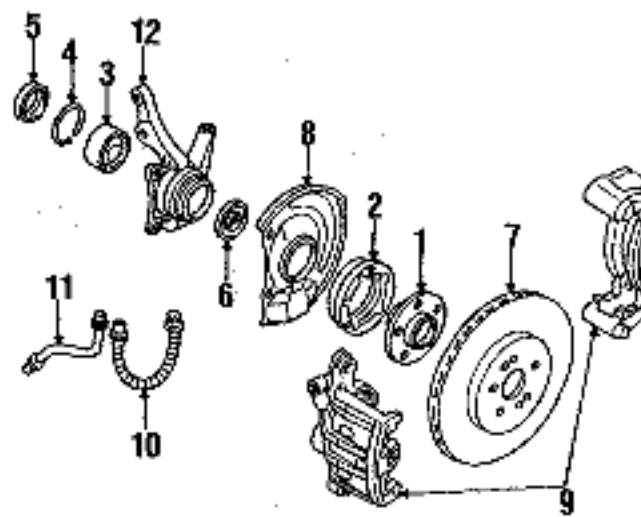
# LABOR: Add for balance, weights and valve stem.  
† PARTS: Order by wheel type and description.



**WHEELS**  
1997-99

Wheel	16x8	17x8.5	18x8.5
1 type 1	97-99	352.27 #m 0.3	MR272 158
2358 type 2	97-99	419.82 #m 0.3	MR272 180
2359 type 3	97-99	702.39 #m 0.3	MR197 761
2370	97-99	702.39 #m 0.3	MR197 761
<b>Spare wheel</b>			
2371 16x4	97	84.58 #	MB624 613
2662	98-99	92.45 #	MR316 372
2372 17x4	97-98	426.45 #	MB892 862
2838	99	447.33 #	MR403 220
<b>Center cap</b>			
5 type 1			
2373 for 16" wheel	97-99	12.47	MB616 391
6 type 2			
2374 for 17x8.5" wheel	97-99	9.90	MR244 232
7 type 3			
2375 for 18x8.5" wheel	97-99	11.55	MR197 990
2376 clip	97-99	1.90	MB579 402
2377 Wheel nut	97-99	2.23	MB579 290

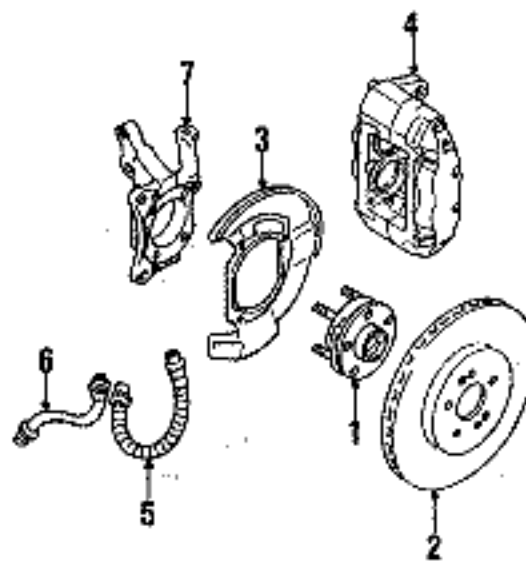
# LABOR: Add for balance, weights and valve stem.



**BRAKE COMPONENTS**  
FRONT WHEEL DRIVE

1 Hub	2 Rotor sensor	3 Bearing	4 Snap ring	5 oil seal	7 Brake rotor	8 Splash shield	9 Caliper	10 inner	11 outer	12 Steering knuckle
425 w/o anti-lock	427	428	429	430	432	434	435	438	444	442
91-99 B	91-99	91-99	91-99	91-99	91-99 B	91-99 R	91-99 R	91-99 B	91-99 B	91
136.37 m 1.5	75.42	40.20	7.67	6.93	88.37 m 1.8	18.17 #m 0.2	108.00 m 1.0	9.87 m 0.6	12.51 m 0.6	123.00 m 2.0
MB808 235	MB668 570	MB633 430	MB633 435	MB633 432	MB928 319	MB618 897	RMB85 7839	MR129 781	MR129 746	MB892 348
426 w/anti-lock	427	428	429	430	432	434	435	438	444	442
91-99 B	91-99	91-99	91-99	91-99	91-99 B	91-99 R	91-99 R	91-99 B	91-99 B	91
80.67 m 1.5	75.42	40.20	7.67	6.05	88.37 m 1.8	18.17 #m 0.2	108.00 m 1.0	9.87 m 0.6	12.51 m 0.6	190.79 m 2.0
MB808 234	MB668 570	MB633 430	MB633 435	MB633 434	MB858 799	MB618 897	RMB85 7839	MR129 781	MR129 746	MB633 443
427	428	429	430	432	434	435	438	444	442	448
91-99	91-99 R	91-99 L	91-99 L	91-99 B	91-99 R	91-99 L	91-99 R	91-99 B	91-99 B	91
75.42	40.20	40.20	7.67	6.93	88.37 m 1.8	18.17 #m 0.2	108.00 m 1.0	9.87 m 0.6	12.51 m 0.6	123.00 m 2.0
MB668 570	MB633 430	MB633 435	MB633 435	MB633 432	MB928 319	MB618 897	RMB85 7839	MR129 781	MR129 746	MB892 348
428	429	430	432	434	435	438	444	442	448	449
91-99	91-99	91-99	91-99	91-99	91-99 R	91-99 L	91-99 B	91-99 B	91-99 B	91
40.20	7.67	6.93	6.05	88.37 m 1.8	18.17 #m 0.2	108.00 m 1.0	9.87 m 0.6	12.51 m 0.6	123.00 m 2.0	190.79 m 2.0
MB633 430	MB633 435	MB633 432	MB633 434	MB928 319	MB618 896	RMB85 7839	MR129 781	MR129 746	MB892 348	MB892 348
429	430	432	434	435	438	444	442	448	449	1366
91-99	91-99	91-99	91-99	91-99	91-99 R	91-99 L	91-99 B	91-99 B	91-99 B	91-99 R
7.67	6.93	6.05	88.37 m 1.8	88.37 m 1.8	18.17 #m 0.2	108.00 m 1.0	9.87 m 0.6	12.51 m 0.6	123.00 m 2.0	123.00 m 2.0
MB633 435	MB633 432	MB633 434	MB928 319	MB858 799	MB618 897	RMB85 7839	MR129 781	MR129 746	MB892 348	MB892 348
430	432	434	435	438	444	442	448	449	1366	1365
91-99	91-99	91-99	91-99	91-99	91-99 R	91-99 L	91-99 B	91-99 B	91-99 B	91-99 R
6.93	6.05	88.37 m 1.8	88.37 m 1.8	18.17 #m 0.2	108.00 m 1.0	9.87 m 0.6	12.51 m 0.6	123.00 m 2.0	123.00 m 2.0	190.79 m 2.0
MB633 432	MB633 434	MB928 319	MB858 799	MB618 896	RMB85 7839	MR129 781	MR129 746	MB892 348	MB892 348	MB892 348
432	434	435	438	444	442	448	449	1366	1365	450
91-99	91-99	91-99	91-99	91-99	91-99 R	91-99 L	91-99 B	91-99 B	91-99 B	91-99 R
6.93	6.05	88.37 m 1.8	88.37 m 1.8	18.17 #m 0.2	108.00 m 1.0	9.87 m 0.6	12.51 m 0.6	123.00 m 2.0	123.00 m 2.0	190.79 m 2.0
MB633 432	MB633 434	MB928 319	MB858 799	MB618 896	RMB85 7839	MR129 781	MR129 746	MB892 348	MB892 348	MB892 348
434	435	438	444	442	448	449	1366	1365	450	451
91-99	91-99	91-99	91-99	91-99	91-99 R	91-99 L	91-99 B	91-99 B	91-99 B	91-99 R
6.93	6.05	88.37 m 1.8	88.37 m 1.8	18.17 #m 0.2	108.00 m 1.0	9.87 m 0.6	12.51 m 0.6	123.00 m 2.0	123.00 m 2.0	190.79 m 2.0
MB633 432	MB633 434	MB928 319	MB858 799	MB618 896	RMB85 7839	MR129 781	MR129 746	MB892 348	MB892 348	MB892 347

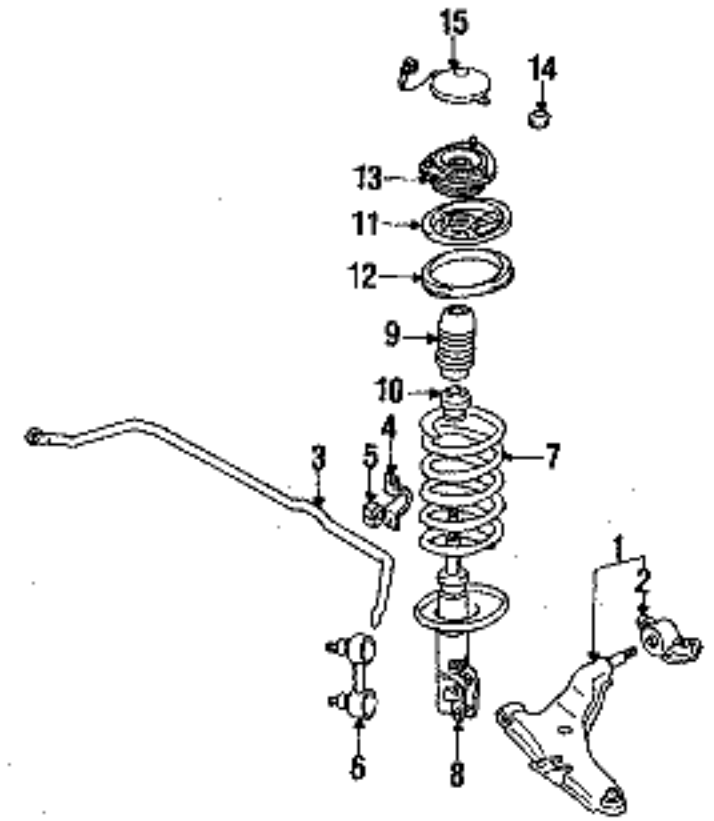
† LABOR: After brake disc is removed.



**BRAKE COMPONENTS**  
ALL WHEEL DRIVE

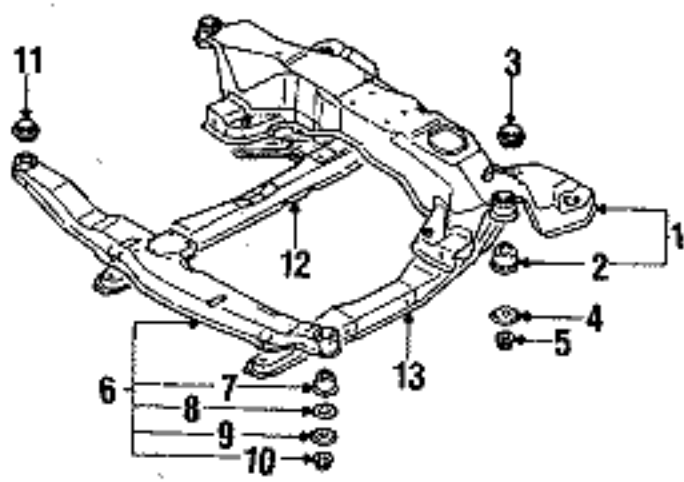
1 Hub Assy	2 Brake rotor	3 Splash shield	4 Caliper	5 inner	6 outer	7 Steering knuckle
452	453	454	456	458	460	462
91-99 B	91-93 B	91-93 R	91-93 R	91-99 B	91-99 B	91-99 R
79.87 m 1.5	93.05 m 1.8	36.63 #m 0.2	208.65 m 1.0	9.87 m 0.6	12.51 m 0.6	130.35 m 2.0
MR223 993	MR235 666	MB618 691	MB857 254	MR129 781	MR129 746	MB633 286
453	454	455	457	459	461	463
91-93 B	91-93 R	91-93 L	91-93 L	91-99 B	91-99 B	91-99 L
93.05 m 1.8	100.12 m 1.8	36.63 #m 0.2	208.65 m 1.0	9.87 m 0.6	12.51 m 0.6	127.82 m 2.0
MR235 666	MR235 802	MB618 690	MB857 253	MR129 781	MR129 746	MB633 285
454	455	456	457	459	461	463
91-93 R	91-93 L	91-93 L	91-93 L	91-99 B	91-99 B	91-99 L
36.63 #m 0.2	36.63 #m 0.2	43.63 #m 0.2	208.65 m 1.0	9.87 m 0.6	12.51 m 0.6	127.82 m 2.0
MB618 691	MB618 690	MB895 606	MB857 254	MR129 781	MR129 746	MB633 285
455	456	457	459	461	463	
91-93 L	91-93 L	91-93 L	91-93 L	91-99 B	91-99 B	
36.63 #m 0.2	43.63 #m 0.2	208.65 m 1.0	208.65 m 1.0	9.87 m 0.6	12.51 m 0.6	
MB618 690	MB895 606	MB857 254	MB857 253	MR129 781	MR129 746	
456	457	459	461	463		
91-93 R	91-93 L	91-93 L	91-93 L	91-99 B		
43.63 #m 0.2	208.65 m 1.0	208.65 m 1.0	208.65 m 1.0	9.87 m 0.6		
MB895 605	MB857 254	MB857 253	MB857 253	MR129 781		
457	459	461	463			
91-93 L	91-93 L	91-93 L	91-93 L			
208.65 m 1.0	208.65 m 1.0	208.65 m 1.0	208.65 m 1.0			
MB857 254	MB857 253	MB857 253	MB857 253			
459	461	463				
91-99 B	91-99 B	91-99 B				
9.87 m 0.6	12.51 m 0.6	130.35 m 2.0				
MR129 781	MR129 746	MB633 286				

† LABOR: After brake disc is removed.



**SUSPENSION COMPONENTS**

1 Control arm	2 bushing	3 Stabilizer bar	4 bracket	5 bushing	6 link kit	7 Spring	8 Strut	9 Dust cover	10 Bumper	11 Spring seat	12 Insulator	13 mount	14 Dust cover	15 Cap
464	466	467	469	471	473	474	477	479	480	481	482	483	485	486
91-92 R	91-93 R	91-93 R	91-99 R	91-96	91-94	91-94 B	91-96 B	91-99	91-99	91-99	91-99	91-99	91-99	91-93
263.36 m 1.4	46.30 #	73.15 m 1.0	27.30	3.83	22.03	68.63 m 1.5	171.50 m 1.5	6.14	9.71	5.08	4.12	52.39	1.85	71.70
MB698 852	MB633 621	MB633 372	MB808 831	MB573 836	MB518 892	MB633 367	MB892 368	MB672 236	MB633 360	MB633 330	MB633 377	MB949 423	MB109 960	MB633 390
465	467	469	470	471	473	474	477	479	480	481	482	483	485	486
91-92 L	91-93 L	91-92	91-99 R	91-96	91-94	91-94 B	91-96 B	91-99	91-99	91-99	91-99	91-99	91-99	91-93
263.36 m 1.4	47.23 #	76.07 m 1.0	27.30	3.59	22.03	68.48 m 1.5	168.69 m 1.5	6.14	9.71	5.08	4.12	52.39	1.85	71.70
MB698 851	MB633 620	MB892 328	MB808 831	MB573 836	MB518 892	MB949 442	MB892 370	MB672 236	MB633 360	MB633 330	MB633 377	MB949 423	MB109 960	MB633 390
466	467	469	470	471	473	474	477	479	480	481	482	483	485	486
91-92 R	91-93 R	91-92	91-99 R	9										

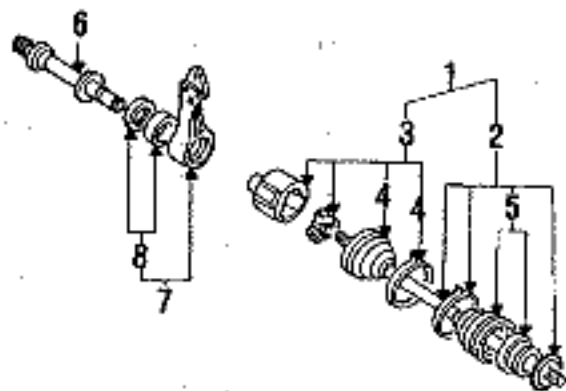


**WHEELS & FRONT SUSPENSION (CONT)**

**SUSPENSION MOUNTING**

<b>1 Front c'member</b>						
87	front wheel drive	91-99	185.97	s	1.5	MB633 315
	4 wheel drive					
88	to 7/90	91	214.22	s	1.5	MB910 309
89	from 8/90	91-94	171.15	s	1.5	MB864 979
1776		95-99	214.22	s	1.5	MB910 309
<b>2 bushing</b>						
38		91-99 R	12.64	#		MB633 405
99		91-99 L	12.64	#		MB633 404
<b>3 stopper</b>						
100	front wheel drive	91-99 R	2.77			MB573 306
101		91-99 L	2.77			MB573 305
2841	4 wheel drive	91-96 R	2.77			MB573 306
2842		91-96 L	2.77			MB573 305
2843		97-99 R	2.33			MB910 171
2844		97-99 L	2.43			MB910 170
102	<b>4 plate</b>	91-99 R	3.28			MB303 625
103		91-99 L	3.28			MB303 624
104	<b>5 nut</b>	91-99	1.40			MB242 260
<b>6 Susp crossmember</b>						
80	front wheel drive	91-96	276.97	s	6.5	MB633 358
2297		97-98	506.52	s	6.5	MR103 983
2845		99	476.00	s	6.5	MR198 007
91	4 wheel drive	91-98	276.97	s	6.5	MB633 358
2848		99	476.00	s	6.5	MR198 007
<b>7 bushing</b>						
92	2 wheel drive	91-99	10.78	#		MB518 168
93	4 wheel drive	91-99	12.64	#		MB633 405
95	<b>8 spacer</b>	91-99	1.82	#		MB573 304
96	<b>9 plate</b>	91-99	3.28			MB303 625
97	<b>10 nut</b>	91-99	1.40			MB242 260
94	<b>11 stopper</b>	91-99	2.77			MB573 306
<b>Support Assy</b>						
105	12 front wheel drive	91-96 R	190.40	0.5		MB633 322
106	13	91-96 L	165.53	0.5		MB633 349
2298		97-99 R	205.68	0.5		MR131 178
2299		97-99 L	165.53	0.5		MB633 349
107	all wheel drive	91-96 R	194.15	0.5		MB808 720
108		91-96 L	165.53	0.5		MB633 349
2300		97-99 R	205.68	0.5		MR131 178
2301		97-99 L	165.53	0.5		MB633 349
109	<b>bolt</b>	91-99	1.82			MU240 023

# PARTS: Part included with crossmember.



**AXLE COMPONENTS**

<b>1 Axle Assy</b>						
487	w/o turbo					
488	manual trans	91-92 R	581.09	m	1.2	MB620 468
1480		91-92 L	581.09	m	1.2	MB620 467
1451		93-94 R	694.15	m	1.2	MB886 280
1845		93-94 L	680.63	m	1.2	MR110 893
1846		95-96 R	680.63	m	1.2	MR110 894
2391		95-96 L	680.63	m	1.2	MR110 893
2332	SOHC	97-99 R	523.70	m	1.2	MB886 276
2393		97-99 L	523.70	m	1.2	MB886 275
2397	DOHC	97-99 R	680.63	m	1.2	MR110 894
489		97-99 L	680.63	m	1.2	MR110 893
1482	automatic trans	91-92 R	581.09	m	1.2	MB620 470
1483		91-92 L	581.09	m	1.2	MB620 467
1847		93-94 R	680.63	m	1.2	MR110 896
1848		93-94 L	680.63	m	1.2	MR110 893
2394		95-96 R	680.63	m	1.2	MR110 896
2395		95-96 L	680.63	m	1.2	MR110 893
2396	SOHC	97-99 R	518.62	m	1.2	MB886 278
		97-99 L	523.70	m	1.2	MB886 275
	DOHC	97-99 R	680.63	m	1.2	MR110 896

2398	w/turbo	97-99 L	680.63	m	1.2	MR110 893
491		91-92 R	581.09	m	1.2	MB620 104
492		91-92 L	581.09	m	1.2	MB526 809
1484		93-94 R	694.15	m	1.2	MB886 286
1485		93-94 L	646.15	m	1.2	MR165 639
1849		95-97 R	646.15	m	1.2	MR165 640
1850		95-97 L	646.15	m	1.2	MR165 639
2849	w/o 4 wheel strg.	98-99 R		m	1.2	MR196 496
2850		98-99 L		m	1.2	MR196 495
2847	w/4 wheel strg.	98-99 R	646.15	m	1.2	MR165 640
2848		98-99 L	646.15	m	1.2	MR165 639

**2 Outer joint Assy**

493	w/o turbo					
494	manual trans	91-96 R	384.92	#m	0.5	MB837 344
495		91-96 L	384.92	#m	0.5	MB837 343
496	automatic trans	91-96 R	384.92	#m	0.5	MB837 342
497		91-96 L	384.92	#m	0.5	MB837 343
498	w/turbo	91-96 R	377.35	#m	0.5	MB837 334
2405		91-96 L	384.92	#m	0.5	MB837 335
2406	all	97-99 R		#m	0.5	SEE FOOTNOTE
		97-99 L		#m	0.5	SEE FOOTNOTE

**3 Inner joint Assy**

499	w/o turbo	91-94 R	295.63	#m	0.5	MB837 341
500		91-94 L	292.75	#m	0.5	MB837 339
1851		95-96 R	304.43	#m	0.5	MB937 061
1852		95-96 L	292.75	#m	0.5	MB837 339
2399	SOHC	97-99 R	292.62	#m	0.5	MB937 062
2401		97-99 L	301.40	#m	0.5	MB837 319
2400	DOHC	97-99 R	304.43	#m	0.5	MB937 061
2402		97-99 L	292.75	#m	0.5	MB837 339
501	w/turbo	91-94 R	278.65	#m	0.5	MB837 338
502		91-94 L	292.75	#m	0.5	MB837 339
1853		95-99 R	292.62	#m	0.5	MB937 062
1854		95-99 L	301.40	#m	0.5	MB837 319

**4 Inner boot**

503	all	91-96	54.92			MB837 340
2409	w/o turbo					
2410	SOHC	97-99 B	54.92			MB937 063
2411	DOHC	97-99 B	54.92			MB837 340
	w/turbo	97-99 B	54.92			MB937 063

**5 Outer boot**

504	w/o turbo	91-94	58.93			MB620 302
1855		95-96	54.92			MR222 682
2407	SOHC	97-99 B	54.92			MR222 681
2408	DOHC	97-99 B	54.92			MR222 682
505	w/turbo	91-94	71.78			MB526 400
1856		95-99 B	54.92			MR222 681

**6 Intermed shaft**

506	w/o turbo					
1857	manual trans	91-94	407.63			MB526 786
507		95-99	98.89			MB886 588
1858	automatic trans	91-94	90.12			MB620 376
508		95-99	98.89			MB886 590
	w/turbo	91-99	90.12			MB620 154

**7 Support Assy**

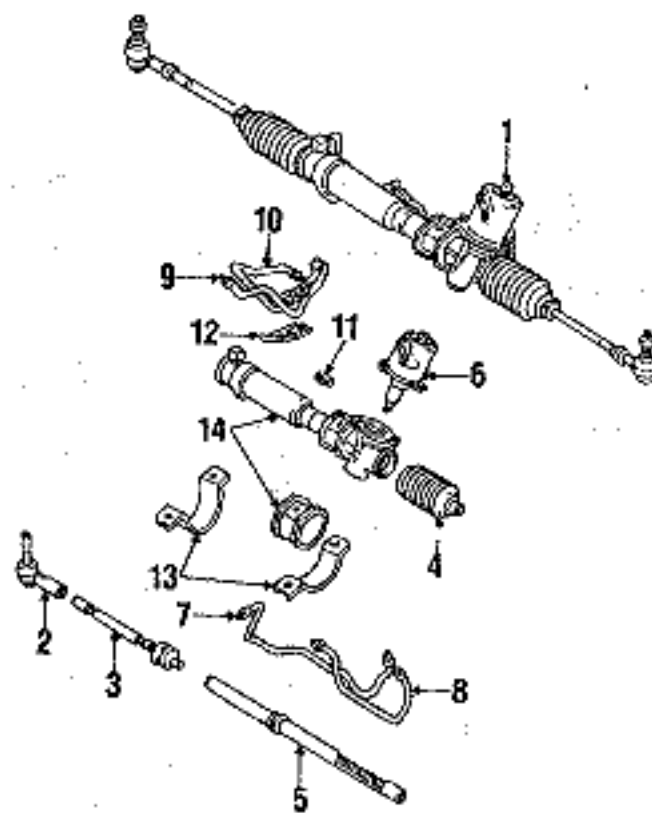
509	w/o turbo					
510	manual trans	91-99 B	123.07	m	0.8	MB837 370
511	automatic trans	91-99 B	241.53	m	0.8	MB620 809
	w/turbo	91-99 B	241.53	m	0.8	MB620 809

**Bearing**

512	w/seals	91-99	57.37			MB620 810
-----	---------	-------	-------	--	--	-----------

# LABOR: After axle is removed.  
† PARTS: Part serviced with axle assembly only.

**STEERING**



**OVERHAUL OPERATIONS**

1427	2 wheel steering	91-99	m	3.5	
1428	4 wheel steering	91-99	m	4.0	

1312	O/H steering column	91-99	m	3.5	
------	---------------------	-------	---	-----	--

**OVERLAP OPERATIONS**

<b>R&amp;R p/s pump with bolt off</b>					
3088	deduct	91-99	m	0.4	
<b>R&amp;I OPERATIONS</b>					
<b>R&amp;I steering gear</b>					
front					
1425	2 wheel steering	91-99	m	2.0	
1426	4 wheel steering	91-99	m	2.8	
1429	rear	91-99	m	3.0	
1430	R&I steering column	91-98	m	1.3	

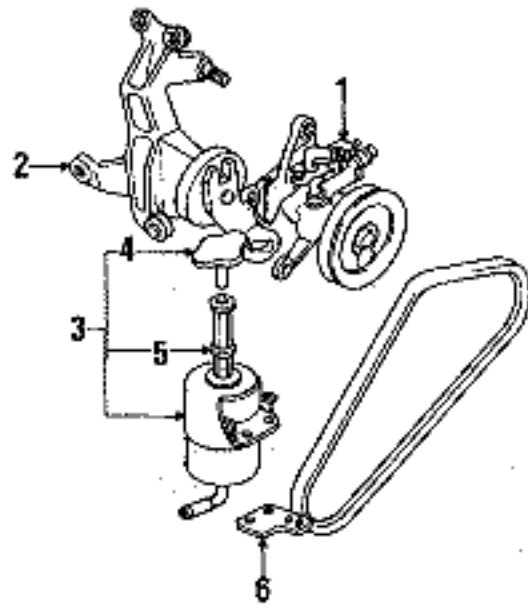
**PARTS AND R&R OPERATIONS**

**STEERING GEAR**

<b>1 Gear Assy</b>						
513	front wheel drive	91-99	1497.36	m	2.0	MB636 225
	4 wheel drive					
2851	w/o 4 wheel strg.	91-97	1497.36	m	2.0	MB636 225
2852		98-99		m	2.0	MB949 306
514	w/4 wheel strg.	91-93	1570.01	m	2.8	MB631 745
1594		94-99	1477.00	m	2.8	MB949 307
<b>2 Outer tie rod</b>						
515	2 wheel steering	91-99 B	30.17	m	0.5	MB910 859
516	4 wheel steering	91-99 B	26.93	m	0.5	MB527 650
<b>3 Inner tie rod</b>						
518	nut	91-99 B	42.15	m	1.5	MR131 830
519		91-99	1.18			MF430 008
<b>4 Boot kit</b>						
520		91-99	15.57			MB501 711
<b>5 Rack gear</b>						
521	2 wheel steering	91-99	170.42	#m	3.5	MB864 158
522	4 wheel steering	91-99	170.42	#m	4.0	MB864 165
523	washer	91-99	2.90			MB266 164
524	bushing kit	91-99	21.37			MB815 381
525	stopper	91-94	9.76			MB501 953
1860		95-99	8.96			MR171 363
526	c-clip	91-99	2.23			MB501 015
527	spring	91-99	2.92			MB844 694
528	nut	91-99	3.80			MB501 022
528	Rear cover	91-99	17.59			MB501 021
<b>6 Pinion Assy</b>						
530	2 wheel steering	91-99	724.36	#m	3.5	MB864 159
531	4 wheel steering	91-99	724.36	#m	4.0	MB864 166
532	nut	91-99	2.75			MB243 335
<b>plug</b>						
533	lower	91-99	10.95			MB243 336
<b>seal kit</b>						
534	2 wheel steering	91-99	63.45			MB815 388
535	4 wheel steering	91-99	95.53			MB8

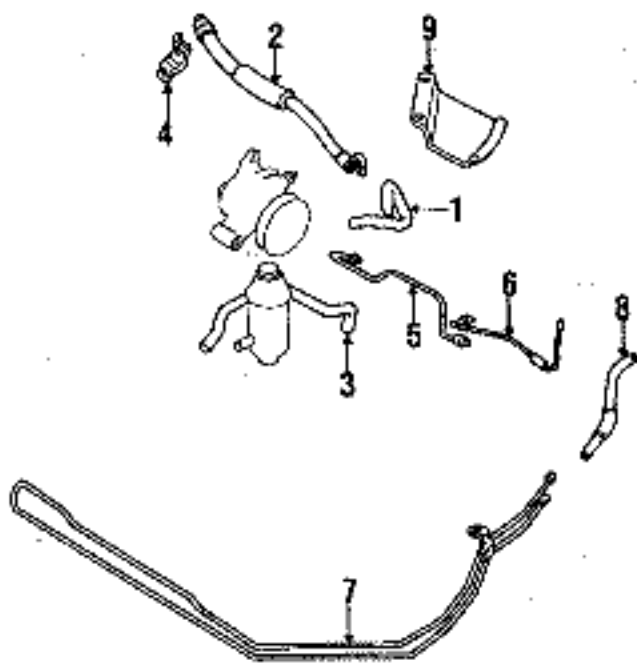
**ARP 6230**

557	5	screw	91-99	4.92		MB489 788
558		Cap	91-99	3.78		MB489 784



**PUMP**

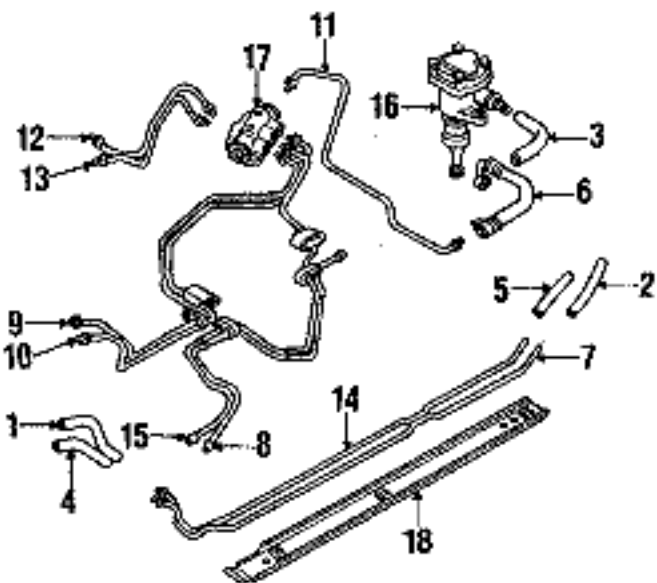
<b>1 P/S pump</b>						
559		to 691	91	623.59	m 1.3	MB636 734
1377		from 691	91-96	776.21	m 1.3	MR272 492
2 wheel steering						
2417		SOHC	97-99	612.43	m 1.3	MR272 491
2418		DOHC	97-99	833.47	m 1.3	MR272 496
2419		4 wheel steering	97-99	776.21	m 1.3	MR272 492
<b>2 mount bracket</b>						
560			91-96	47.51		MB636 738
2420		SOHC	97-99	33.81		MB636 160
2421		DOHC	97-99	47.51		MB636 738
<b>3 Reservoir</b>						
561		idler pulley	91-94	73.73	m 0.7	MB636 737
1882			95-99	81.00	m 0.7	MD172 379
<b>4 Cap</b>						
564		2 wheel steering	91-98	9.58		MB288 989
2854			99	9.57		MR272 335
565		4 wheel steering	91-99	27.32		MB532 802
<b>5 Filter</b>						
566		2 wheel steering	91-99	7.69		MB350 950
567		4 wheel steering	91-99	8.78		MB532 806
<b>6 bracket</b>						
568		pump	91-99	5.25		MB636 223



**HOSES FRONT STEERING SYSTEM**

569	1	Suction hose	91-96	12.89	m 0.5	MB631 686
2424		SOHC	97-99	22.23	m 0.5	MB636 238
2425		DOHC	97-99	12.89	m 0.5	MB631 686
570	2	Pressure hose	91-96	93.88	m 1.0	MB815 310
2426		SOHC	97-99	66.55	m 1.0	MB815 424
2427		DOHC	97-99	93.88	m 1.0	MB815 310
<b>3 Return hose</b>						
w/o turbo						
571		to 197	91-97	21.37	m 0.5	MB553 964
2863		from 197	97-99	26.59	m 0.5	MR333 795
w/turbo						
572		to 197	91-97	13.36	m 0.5	MB631 688
2864		from 197	97-99	30.51	m 0.5	MR333 796
573	4	bracket	91-99	6.94		MB553 968
574	5	Pressure tube	91-96	20.79		MB553 959
2431		SOHC	97-99	14.29		MB636 231
2430		DOHC	97-99	20.79		MB553 959
575	6	Return tube	91-97	13.56		MB631 693
576	7	Oil cooler tube	91-99	47.56		MR198 039
<b>8 Return hose</b>						
577		w/o turbo	91-99	11.88		MB553 967
578		w/turbo	91-99	12.13		MB631 691
580		clip	91-98	.78		MS660 166

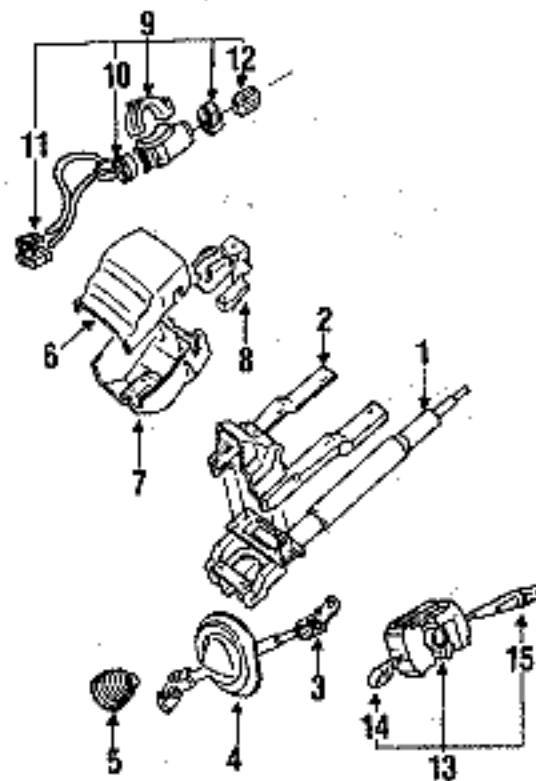
5865		Protector	99	1.38		MR133 826
579	9	w/turbo	91-99	16.32		MB663 612



**HOSES REAR STEERING SYSTEM**

<b>Suction hose</b>						
581	1	front	91-99	10.67	m 0.8	MB663 521
582	2	center	91-99	6.81	m 0.8	MB631 701
583	3	rear	91-99	10.88	m 0.8	MB631 722
<b>Return hose</b>						
584	4	front	91-99	9.76	m 0.8	MB663 522
585	5	rear	91-99	18.79	m 0.8	MB010 721
586	6	Pressure hose	91-99	60.15	m 1.5	MB631 712
589		clamp	91-99	.78#		MS660 166
<b>Suction tube</b>						
587	7	front	91-99	56.30		MB631 724
588	8	rear	91-99	36.63		MB631 726
<b>Pressure tube</b>						
to control valve						
589	9	from front gear	91-99 R	26.20		MB631 727
590	10		91-99 L	27.18		MB631 728
591	11	from rear pump	91-99	17.46		MB663 124
592	12	to steering gear	91-99 R	17.46		MB631 731
593	13		91-99 L	17.46		MB631 729
<b>Return tube</b>						
594	14	front	91-99	50.45		MB631 725
595	15	rear	91-99	36.63		MB631 732
596	16	Rear P/S pump	91-99	704.62	m 1.5	MB663 840
597	17	Control valve	91-99	207.57		MB489 760
598	18	Protector	91-99	24.27		MB631 714
600		clip	91-99	2.29#		MB532 127
601		clamp	91-99	2.73#		MB815 360

# PARTS: Order by description and quantity.



**STEERING COLUMN ASSEMBLY**

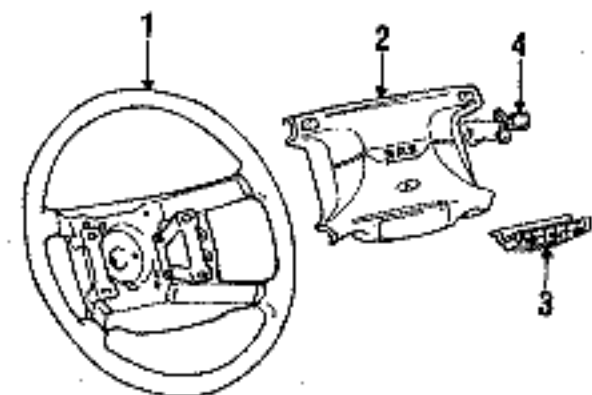
**WARNING:**  
Before repairing any air restraint system, the battery cables and any back-up power supplies to the system must be disconnected in order to prevent accidental deployment.

602	1	Column Assy	91-96	564.91	m 1.5	MB616 687
2432			97-99	580.54	m 1.5	MR307 153
603	2	support	91-94	46.79		MB892 721
1864			95-99	46.79		MB892 721
604	3	Lower shaft	91-99	86.27#	m 1.3	MB616 679
<b>4 Cover</b>						
605		manual trans	91-99	36.14#	m 1.3	MB616 678
606		automatic trans	91-99	36.14#	m 1.3	MB673 150
607	5	Boot	91-99	3.54#	m 1.3	MB243 859
<b>Column cover</b>						
608	6	upper	91-93	12.38	m 0.5	MB766 515

**1991-99 MITSUBISHI 3000 GT**

609		manual trans	91-93	12.38	m 0.5	MB766 516
1596		all	94-95	12.38	m 0.5	MB766 516
2033			96-99	10.83	m 0.5	MR751 559
<b>7 lower</b>						
610		automatic trans	91-93	18.51	m 0.5	MB766 517
611		manual trans	91-93	18.88	m 0.5	MB766 518
1597		all	94-96	18.88	m 0.5	MB766 518
2433			97-99	15.26	m 0.5	MR751 560
612	8	Pad	91-99	30.10		MB832 372
<b>9 Lock Assy</b>						
613		automatic trans	91-93	76.72	m 0.7	MB627 883
1598			94-99	76.72	m 0.7	MB627 884
614		manual trans	91-93	76.72	m 0.7	MB627 884
1599			94-99	77.96	m 0.7	MB943 108
615	10	Ignition switch	91-99	28.27	m 0.8	MB629 641
616	11	Warning switch	91-99	8.16		MB629 643
617	12	Cyl & keys	91-94	31.32	m 0.8	MB843 879
w/o turbo						
1600		manual trans	94	29.17	m 0.8	MR137 898
1601		auto trans	94	31.32	m 0.8	MR843 879
1602		w/turbo	94	29.17	m 0.8	MR137 898
1865		all	95-96	31.42	m 0.8	MR376 629
2434		manual trans	97-98	31.42	m 0.8	MR376 629
2866			99	31.48	m 0.8	MR199 827
2435		auto trans	97-98	31.42	m 0.8	MR376 630
2436			99	31.48	m 0.8	MR199 826
<b>13 Combo switch</b>						
618		w/o elect cont susp	91-96	219.55		MB629 617
619		w/elect cont susp	91-96	219.55		MB629 617
2436		all	97-99	139.55		MR228 469
<b>Switch</b>						
w/lever						
620	14	turn signal & light	91-96	29.27		MB852 132
2437			97-99	63.60		MR243 533
621	15	wiper & wash	91-96	29.27		MB852 131
2438			97-99	58.03		MR243 536

# LABOR: Time is for all pieces.

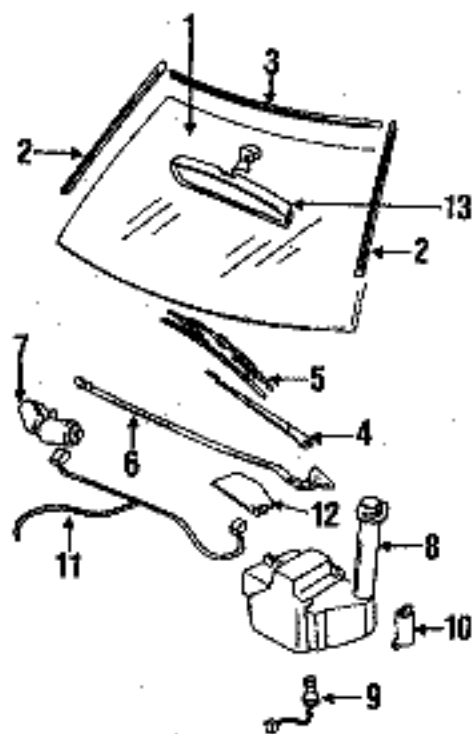


**STEERING WHEEL**

<b>1 Steering wheel</b>						
622		w/o cruise control	91-93	524.70#	m 0.6	MR705 998
1603			94-95	550.25#	m 0.6	MR710 679
623		w/cruise control	91-93	529.17#	m 0.6	MR705 999
2868			94-95	550.25#	m 0.6	MR710 677
2868		all	96-99	407.82#	m 0.6	MR738 679
1755	2	Air bag module	91-99	+		SEE FOOTNOTE
624	3	Remote control	91-93	210.52†		MB629 948
1804			94-96	212.50†		MB954 870
2439			97-99	102.42		MR309 474
625	4	Cruise switch	91-93	55.18	0.2	MB629 946
1805			94-96	58.31	0.2	MB954 871
2440			97-99	46.22	0.2	MB903 174

# PARTS: Order by year, model and color.  
† PARTS: Order by year, model and radio type.  
‡ PARTS: Part located in RESTRAINT SYSTEMS group.

## WINDSHIELD



PARTS AND R&R OPERATIONS

### GLASS

Part #	Description	Year	Price	QTY	Part #
543	Glass Mitsubishi	91-93	570.30	4.0	MR108 068
1627	blue	94-96	523.22	4.0	MB766 743
1792	green	95-99	575.88	4.0	MR192 460
644	NAGS blue tint	91-98	421.70	4.0	FW00668BTN
2670		99	†	4.0	SEE FOOTNOTE
1314	blue/blue sha	91-98	581.85	4.0	FW00668BBN
2871		99	†	4.0	SEE FOOTNOTE
2694	green/blue sh	91-98	581.85	4.0	FW00668GBN
2872		99	†	4.0	SEE FOOTNOTE
2695	gray/gray sha	91-98	487.25	4.0	FW00668YYN
2873		99	†	4.0	SEE FOOTNOTE
1480	spacer upper	91-92	7.02		MB634 802
1491		93-99	7.08		MB419 223
1432	lower	91-94	.77		MB646 553
1872		95-97			NOT LISTED
845	seal	91-94	19.50		MB292 508
1878		95-97			NOT LISTED

### REVEAL MOLDINGS

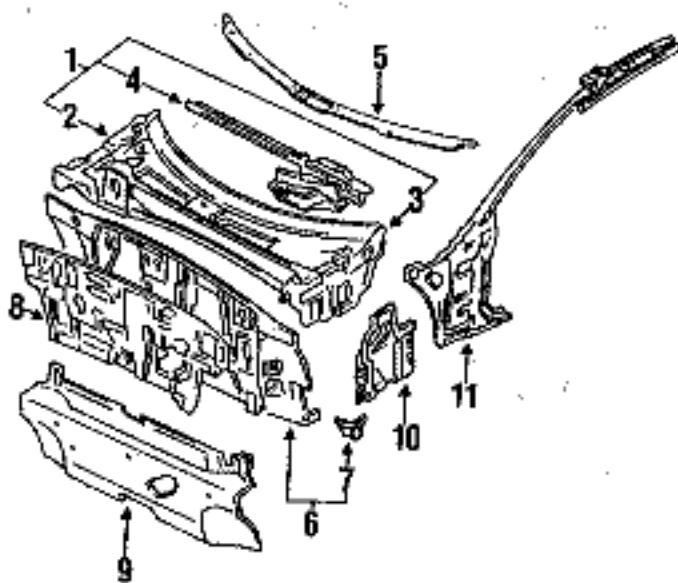
Part #	Description	Year	Price	QTY	Part #
646	Upper molding w/o sunroof	91-92	13.63	0.5	MB645 240
1610		93-94	14.65	0.5	MR108 095
1874		95-96	45.34	0.5	MB976 402
1611	w/sunroof	91-96	43.63°	0.5	MR704 491
2446	all	97-99	13.63°	0.5	MB645 240
1493	clip white	91-96	1.00		MB645 305
1702	yellow	91-96	1.00		MR108 975
658	Mirror	91-99	20.08	0.3	MB479 510
659	mount plate	91-99	2.43		MB479 259

### WIPER & WASHER COMPONENTS

Part #	Description	Year	Price	QTY	Part #
647	Wiper arm	91-99 R	31.65	0.3	MB622 951
648		91-99 L	31.65	0.3	MB622 953
649	Blade	91-97 R	17.81	0.2	MB622 955
650		91-97 L	17.81	0.2	MB622 957
2374		98-99 R	20.22	0.2	MR361 327
2875		98-99 L	23.27	0.2	MR361 328
1204	insert	91-94 R	3.87	0.1	MB821 509
1205		91-94 L	11.33	0.1	MB860 925
1875		95-98 R	3.87	0.1	MB821 509
1876		95-98 L	11.33	0.1	MB860 925
2876		99 R	5.85	0.1	MR275 307
2877		99 L	5.25	0.1	MR300 008
651	Link	91-99	74.97	0.6	MB622 701
652	Motor	91-99	215.83	0.5	MB622 910
653	Washer reservoir	91-99	23.22 #	0.5	MB822 985
654	Level sensor	91-99	43.63 #	0.5	MB622 986
655	Washer pump	91-99	30.68 #	0.5	MB286 961
656	Nozzle	91-99	11.20	0.3	MB622 717
657	Cover	91-99	4.10		MB622 711

# LABOR: Time is for all pieces.  
 † PARTS: Nags information not available at time of publication.  
 ° PARTS: Order by color and application.

## COWL



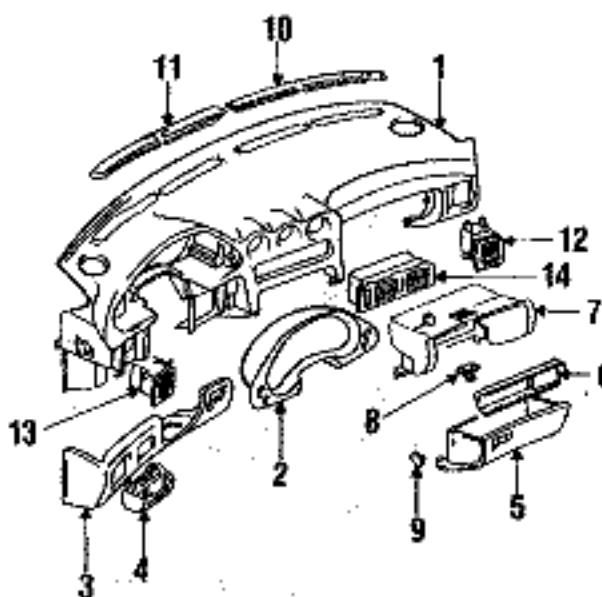
PARTS AND R&R OPERATIONS

### COWL

Part #	Description	Year	Price	QTY	Part #
626	Cowl top panel	(p1.2) 91-99	407.34 #	7.0	MB907 981
627	Extension	91-99 R	35.30		MB637 484
628		91-99 L	36.01		MB637 483
629	Crossmember	91-94	183.01		MB637 485
1866		95-99	183.80		MB907 983
630	Finish panel	91-99	124.35	0.8	MB645 200
631	Dash panel	91-99	399.35		MB637 412
632	lower brace	91-99	19.97		MB637 414
1486	Grille intake	91-99 R	7.17	0.2	MB609 500
1487		91-99 L	7.31	0.2	MB609 499
1488	retainer	91-99	1.00		MB645 400
1489	grommet	91-99	.42		MB174 347
633	Insulator manual trans	91-94	35.24		MB640 812
634	automatic trans	91-94	35.95		MB640 811
1867	all	95-99	35.95		MB640 811
635	Insulator pad w/o power seat	91-94	151.37		MB645 162
636	w/power seat	91-94	154.39		MB645 160
1868	2WD	95-99	151.37		MB645 162
637	4WD	91-94	154.39		MB828 049
1869		95-99	114.45		MR189 537
638	clip	91-99	1.05		MU481 004
639	Inner sill	91-99 R	46.51		MB637 416
640		91-99 L	45.60		MB637 415
641	Hinge pillar	(p1.0) 91-94 R	207.24 #	7.5	MR178 946
642		(p1.0) 91-94 L	207.24 #	7.5	MR178 945
1870		(p1.0) 95-96 R	207.24 #	7.5	MR178 946
1871		(p1.0) 95-96 L	219.08 #	7.5	MR178 949
2441		(p1.0) 97-99 R	207.24 #	7.5	MR178 946
2442		(p1.0) 97-99 L	207.24 #	7.5	MR178 945

# LABOR: After bolted on parts and windshield are removed.  
 † PARTS: Order by description. LABOR: After fender, door, windshield and trim are removed.

## INSTRUMENT PANEL



WARNING: Before repairing any air restraint system, the battery cables and any back-up power supplies to the system must be disconnected in order to prevent accidental deployment.

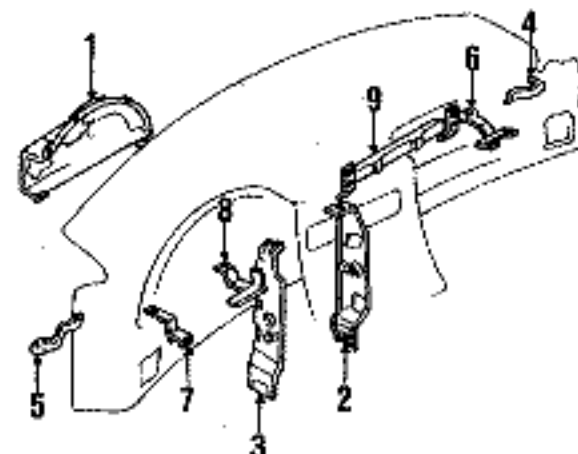
PARTS AND R&R OPERATIONS

### INSTRUMENT PANEL

Part #	Description	Year	Price	QTY	Part #
660	Dash pad	91-94	473.43	6.3	MB766 481
1877		95	553.14	6.3	MR711 166
2014		96-99	417.45	6.3	MR751 534
661	Cluster bezel	91-99	44.42	0.4	MB604 610
662	Lower cover	91-95	71.77	0.3	MB766 486
2012		96-99	59.54	0.3	MR751 538
663	Vent cover	91-98	11.88		MB609 520
2878		99			NOT LISTED

Part #	Description	Year	Price	QTY	Part #
664	Glove box	91-93	52.48	0.3	MB766 598
1612		94-96	86.80	0.3	MR711 180
2015		96-99	65.49	0.3	MR751 692
665	Cover inner	91-93	13.36		MB803 361
1613		94-99	29.43		MB946 321
666	upper	91-99	24.22		MB604 558
1756	Air bag module passenger	91-99	†		SEE FOOTNOTE
667	Key cylinder	91-96	44.20		MB788 376
2451		97-99	41.30		MR751 665
668	Link	91-99	4.10		MB604 736
669	screw	91-99	4.22		MB604 734
670	Striker	91-99	3.48		MB604 656
671	Stopper	91-94	3.53		MB849 787
1878		95-99	4.06		MR167 071
672	Defroster grille	91-99 R	21.20	0.3	MB766 491
673		91-99 L	21.20	0.3	MB766 489
674	Plug	91-99	1.72		MB766 478
675	Grille outer, vent	91-96 R	29.57		MB832 075
676		91-96 L	28.14		MB832 073
2447		97-99 R	24.60		MR250 272
2448		97-99 L	24.60		MR250 270
677	center, vent	91-99	44.42		MB766 460
678	Speaker 6 speaker system	91-93	56.73	0.3	MR159 476
2882		94-95	53.46	0.3	MR173 890
2450		96-99	48.40	0.3	MR207 971
2449	8 speaker system	93-99	54.48	0.3	MR751 693
679	Plug in dash speaker	91-93	10.88		MB777 181

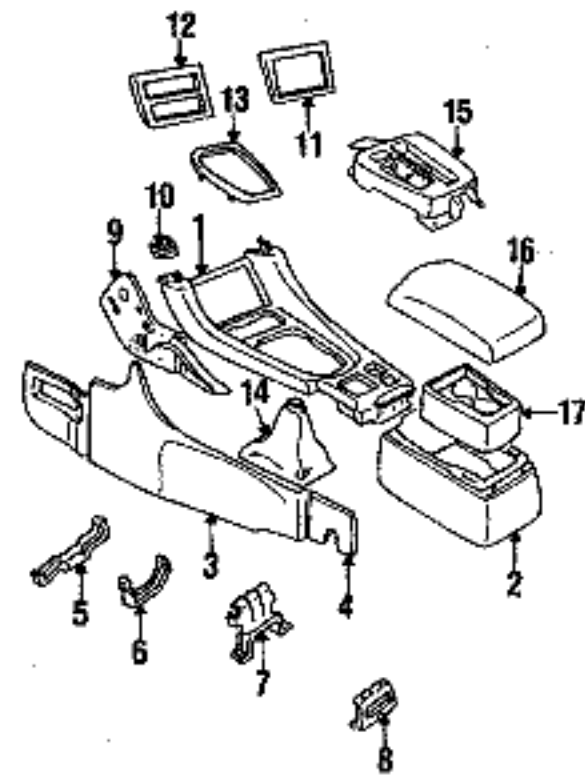
† PARTS: Part located in RESTRAINT SYSTEMS group.



### HARDWARE

Part #	Description	Year	Price	QTY	Part #
680	Reinforcement instrument cluster	91-99	31.65		MB604 540
681	center	91-94 R	28.14 #	0.2	MB604 502
682		91-94 L	18.92 #	0.2	MR148 692
1879		95-99 R	28.14 #	0.2	MB604 502
1880		95-99 L	18.92 #	0.2	MR148 692
683	bracket	91-99 R	9.13 #	0.1	MB604 511
684		91-99 L	7.73 #	0.1	MB604 509
685	brace outer	91-94 R	6.02		MB604 684
686		91-94 L	16.00		MB604 680
1881		95-99 R	7.94		MB946 968
1882		95-99 L	16.00		MB604 680
687	center	91-99	16.32		MB604 681
688	Glove box frame	91-99	8.52		MB604 507

# LABOR: With instrument panel removed.



PARTS AND R&R OPERATIONS

CENTER

Console				
1	front			
683	gray	91-96	88.82	0.5 MB766 494
2432	black	97-99	74.51	0.5 MR751 540
2	rear			
590	gray	91-96	43.35	0.8 MB766 512
2453	beige	97-99	37.90 #	0.8 MR751 556
2679	black	97-99	37.90 #	0.8 MR751 555
Side panel				
3	front			
631	gray	91-95 R	47.92 #	0.3 MB766 501
632		91-95 L	46.55 #	0.3 MB849 840
1883	beige	96-99 R	39.66 #	0.3 MR751 548
1884		96-99 L	39.66 #	0.3 MR751 545
2454	black	96-99 R	39.66 #	0.3 MR751 547
2455		96-99 L	39.66 #	0.3 MR751 544
4	rear			
693	gray	91-96	12.89 #	0.3 MB766 504
2456	beige	97-99	14.44 #	0.3 MR751 551
2680	black	97-99	14.44 #	0.3 MR751 550
mount bracket				
center				
694	No. 1	91-99	6.53	MB604 647
695	No. 2	91-99	4.35	MB604 634
696	No. 3	91-99	7.12	MB604 663
697	No. 4	91-99	3.78	MB604 664
698	9	side	21.37	MB604 632
699		91-99 R	21.37	MB604 630
700	10	91-96 R	4.10	MB766 509
701		91-96 L	4.10	MB766 507
2457		97-99 R	3.57	MB970 419
2458		97-99 L	3.57	MB970 417
Trim panel				
radio				
702	11	w/o center division	91-99	7.67 0.3 MB604 650
703	12	w/center division	91-92	9.72 0.3 MB604 652
704	13	shift lever	91-99	16.00 MB604 637
1886	14	shift boot	91-94	41.55 0.5 MB766 496
2459		95-96	49.44 0.5 MB958 413	
706	15	shift panel	91-99	49.47 0.7 MB659 605
707	16	lid	91-96	88.82 0.2 MB766 513
2462		97-99	81.20 0.2 MR751 557	
708	Lever	91-99	3.33	MB603 300
709	Spring	91-99	1.77	MB604 489
710	17	Cup holder	91-99	9.72 MB604 667
711	Ashtray	91-99	34.32	MB766 459

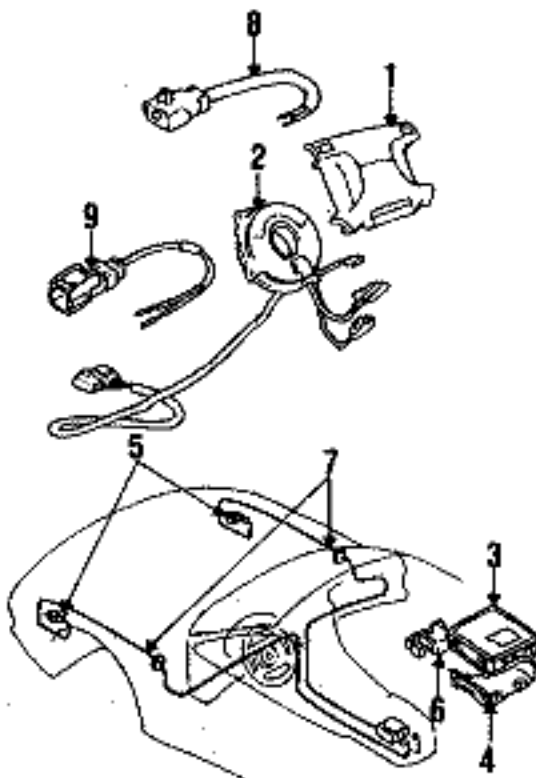
SOUND SYSTEM

Radio				
w/o CD player				
1378				
712		91	1793.12 #	0.5 MB629 114
1379		93-94	1695.17 #	0.5 MB823 841
713		91	1793.12 #	0.5 MB649 778
1379		93-94	1695.17 #	0.5 MB629 139
714		91	1119.13 #	0.5 MB649 765
1380		93-94	1057.57 #	0.5 MB823 853
1887		95-99	1581.40 #	0.5 MR309 315
715	CD player	91	1387.20	0.5 MB649 764
1361		92	1133.73	0.5 MB823 852
1888		93-99		0.5 NOT LISTED
716	Amplifier	91-94	281.26	0.5 MB649 760
1889		95-99	567.03	0.5 MB954 767
Mount bracket				
radio/CD amplifier				
718	upper	91-94 R	3.05	MB604 767
719		91-94 L	3.05	MB604 766
1890		95-99 R	2.95	MB958 213

1831	95-99 L	2.95	MB958 212
720	lower	91 R	5.86 MB629 129
721		91 L	5.76 MB629 128
1892		92-99 B	NOT LISTED

# PARTS: Order by model description and color.  
 # PARTS: Contact dealer with model and radio type for exact price.

RESTRRAINT SYSTEMS



WARNING

Before repairing any air restraint system, the battery cables and any back-up power supplies to the system must be disconnected for a period of at least two minutes in order to prevent accidental deployment.

REPLACEMENT COMPONENTS

The following components are mandatory replacement items following an air bag deployment according to current vehicle manufacturer recommendations. This information supersedes all prior information published by MOTOR.

- Front Impact Sensors
- SRS Diagnosis Unit
- Air Bag Modules

INSPECTION COMPONENTS

The following components must be inspected for damage and replaced if necessary.

- Clock Spring
- Steering Wheel
- Steering Column
- Wiring
- Terminals
- Insulation
- Connectors
- Mounting Brackets
- Impact Sensors

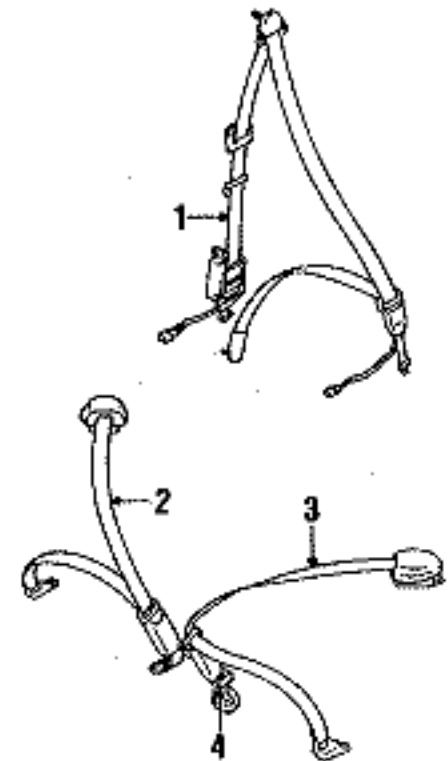
ADD IF REQUIRED

1816	Air bag system diagnosis	91-99	m 0.6
------	--------------------------	-------	-------

PARTS AND R&R OPERATIONS

AIR BAG COMPONENTS				
Air bag module				
852	1	driver side	91-92	530.00 # m 0.5 MR706 000
1614			94-95	530.00 # m 0.5 MR713 916
2032			96	530.00 # m 0.5 MR751 702
2463			97-99	530.00 # m 0.5 MR775 592
1613		passengers side	94-95	683.33 # m 0.6 MR381 579
2013			96-99	683.33 # m 0.6 MR381 580
855	2	Clockspring	91-93	247.45 m 1.0 MB629 947
1616		w/o turbo	94-96	247.45 m 1.0 MB629 947
2461		SOHC	97-99	140.83 m 1.0 MR228 102
2462		DOHC	97-99	155.83 m 1.0 MR228 103
1617		w/turbo	94-96	247.45 m 1.0 MR141 124
2666		w/o 4 wheel strg.	98-99	m 1.0 MR228 106
2464		w/4 wheel strg.	97-99	155.83 m 1.0 MR228 103
853	3	Control module	91-93	623.93 m 0.5 MB904 345
1618			94	623.93 m 0.5 MB921 541
1833			95-96	623.93 m 0.5 MR172 687
2485			97-99	190.62 m 0.5 MR277 721
854	4	bracket	91-99	8.97 MB629 281
Sensor				
857	5	impact	91-96 R	351.37 m 0.8 MB649 192
858			91-96 L	351.37 m 0.8 MB649 191
856	6	safing	91-96	113.48 m 0.5 MB629 077
859	7	Impact sensor	91-96 R	351.37 m 0.8 MB649 192
880			91-96 L	351.37 m 0.8 MB649 191
Harness				
861	8	w/adaptor	91-99	19.97 MR203 491
862	9	clock spring	91-99	16.49 MB686 560

# PARTS: Order by color and application.  
 # PARTS: Order by application.



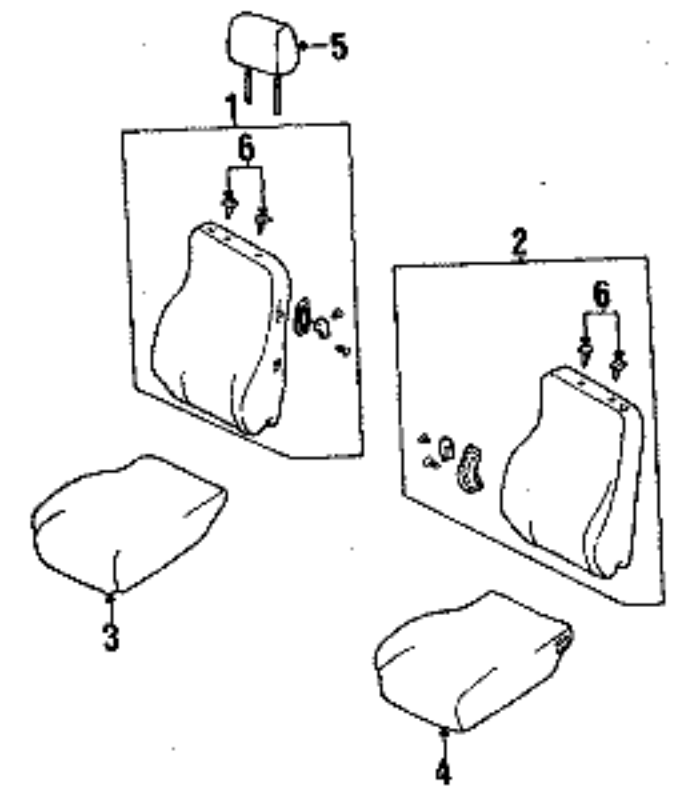
SEAT BELT

Seat belt assy

front				
863	1	w/o convertible	91-94 R	147.08 0.8 MB770 107
864			91-94 L	139.42 0.8 MB770 106
1894			95-96 R	166.70 0.8 MR714 132
1895			95-96 L	182.67 0.8 MB979 254
2181		w/convertible	96 R	299.77 0.8 RE336 8BXX
2182			96 L	299.77 0.8 RE336 9BXX
2486		all	97-99 R	189.23 # 0.8 MR750 192
2487			97-99 L	189.23 # 0.8 MR750 188
rear				
865	2	w/o convertible	91-94 R	154.78 1.0 MB782 607
866	3		91-94 L	154.78 1.0 MB782 606
1896			95-96 R	165.70 1.0 MR713 947
1897			95-96 L	165.70 1.0 MR713 946
2193		w/convertible	96 R	201.67 0.8 REA90 8AXI
2194			96 L	186.15 0.8 REA90 9AXI
2488		all	97-99 R	185.20 # 0.8 MR750 216
2489			97-99 L	185.20 # 0.8 MR750 214
867	4	Buckle	91-99	54.40 MB824 639

# PARTS: Order by description.

SEATS & TRACKS



PARTS AND R&R OPERATIONS

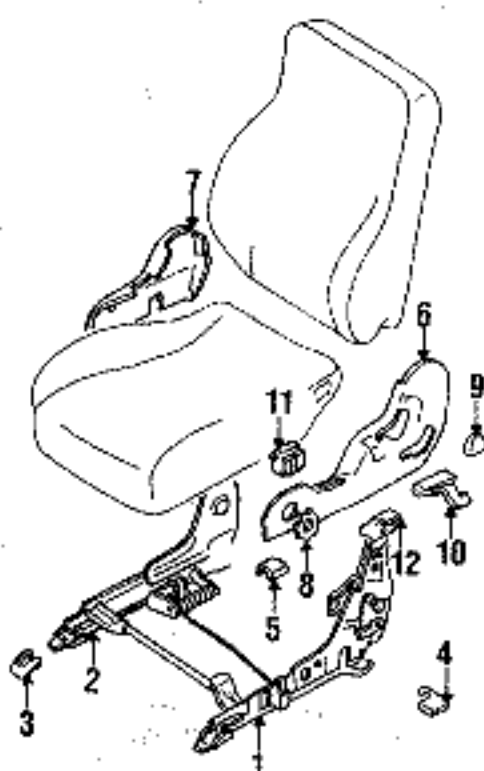
SEAT COMPONENTS				
Seat back				
2896	1	gray	91-93 R	949.01 # MB786 010
2897	2		91-93 L	949.01 # MB786 005
2898			94-95 R	941.83 # MR724 689
2899			94-95 L	921.15 # MR724 685
2900		beige	96-97 R	759.19 # MR755 829
2901			96-97 L	759.19 # MR755 827
2902			98-99 R	996.46 # MR767 815
2903			98-99 L	996.46 # MR767 813
2904		black	96-97 R	759.19 # MR755 828
2905			96-97 L	759.19 # MR755 826
2906			98-99 R	996.46 # MR767 814
2907			98-99 L	996.46 # MR767 812
Cushion				
2908	3	gray	91-93 R	930.40 # MB785 991

CONTINUED

## SEATS & TRACKS (CONT)

29094	91-93 L	949.00 #		MB785 986
2910	94-95 R	941.83 #		MR724 671
2911	94-95 L	921.15 #		MR724 667
2912	beige	96-97 R	759.19 #	MR755 821
2913		96-97 L	759.19 #	MR755 819
2914		98-99 R	996.46 #	MR767 811
2915		98-99 L	996.46 #	MR767 809
2916	black	96-97 R	759.19 #	MR755 820
2917		96-97 L	759.19 #	MR755 818
2918		98-99 R	996.46 #	MR767 810
2919		98-99 L	996.46 #	MR767 808
<b>5 Headrest</b>				
2920	gray	91-93 B	303.99 #	0.1 MB786 276
2921		94-95 B	332.85 #	0.1 MR724 664
2922	beige	96-99 B	274.33 #	0.1 MR750 181
2923	black	96-99 B	274.33 #	0.1 MR750 180
<b>6 Guide</b>				
w/lock				
2924	gray	91-95	4.95 #	MB785 958
2925	beige	96-99	4.58 #	MR741 321
2926	black	96-99	4.58 #	MR749 961
w/lock				
2927	gray	91-95	4.85 #	MB785 957
2928	beige	96-99	4.58 #	MR741 320
2929	black	96-99	4.58 #	MR749 960

# PARTS: Order by year, model & description.

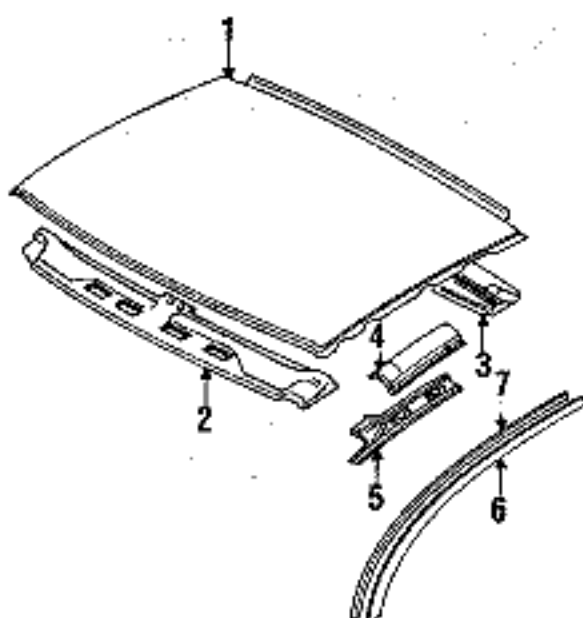


## TRACKS & COMPONENTS

<b>Adjuster</b>				
868	passenger seat	91-94	67.92	0.8 MB824 641
1920		95-99	395.55	0.8 MR140 000
869	driver seat manual	91-96	207.53	1.0 MB824 640
2544		97-99	332.69	1.0 MR279 007
<b>2 driver seat power</b>				
870	to 6/91	91	468.65	1.0 MB824 642
1390	from 6/91	91-96	450.80	1.0 MB850 184
2545		97-99	766.76	1.0 MR279 005
<b>Anchor cover</b>				
871	front	91-96	1.00	0.1 MB770 102
2546		97-99	2.28	0.1 MB726 461
<b>4 rear outer</b>				
872	passenger seat	91-96	2.10	0.1 MB770 116
2547		97-99	1.48	0.1 MR750 197
873	driver seat	91-96	2.10	0.1 MB770 115
2548		97-99	1.77	0.1 MR750 196
874	rear inner	91-96	1.00	0.1 MB770 103
2549		97-99	2.28	0.1 MB726 462
<b>Side cover</b>				
passenger seat				
875	outer	91-96	14.33	0.4 MB786 044
2550		97-99	10.56	0.4 MR750 032
876	inner	91-96	11.41	0.4 MB786 047
2551		97-99	10.27	0.4 MR750 036
driver seat				
877	outer manual	91-96	14.62	0.4 MB786 043
2552		97-99	10.56	0.4 MR750 030
878	outer power	91-96	14.62	0.4 MB786 045
1921		97-99	10.56	0.4 MR750 048
879	inner	91-96	11.64	0.4 MB786 046
2554		97-99	10.27	0.4 MR750 034
880	<b>Height adjuster</b>	91-96	8.16	MB785 959
2555		97-99	5.84	MR749 962
881	<b>Knob</b>	91-96	2.38	MB786 059
2556		97-99	1.10	MR789 772
882	<b>Recline lever</b>	91-96 R	6.17	MB785 949
883		91-96 L	6.17	MB785 948
2557		97-99 R	4.23	MB725 072
2558		97-99 L	4.23	MB725 069
<b>11 Control switch</b>				
884	to 6/91	91	61.28	MB695 061
1391	from 6/91	91-99	81.36	MB850 202

885	12 Knob	91-99 R	2.38	MB786 061
886		91-99 L	2.38	MB786 060

## ROOF



## R&I OPERATIONS

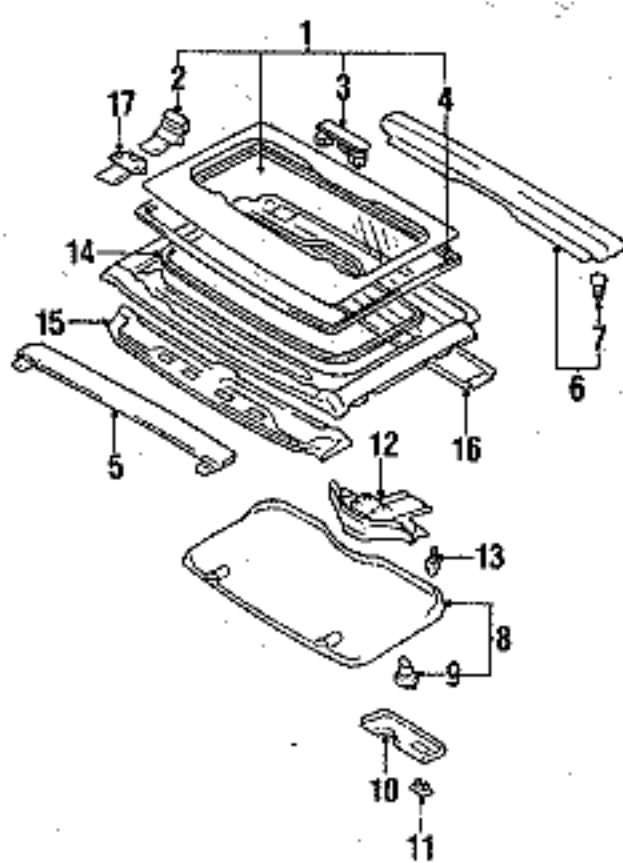
1432	R&I headliner	91-99	1.8	
------	---------------	-------	-----	--

## PARTS AND R&I OPERATIONS

### ROOF

<b>1 Roof panel</b>				
723	w/ sunroof	(p.3) 91-99	366.80	15.5 MB637 493
1703	w/ sunroof	(p.3) 91-96	321.15	16.5 MB835 782
2470		(p.3) 97-99	299.08	16.5 MR178 996
<b>Header panel</b>				
<b>2 front</b>				
724	w/ sunroof	91-99	50.55 #	1.5 MB637 494
1704	w/ sunroof	91-96	53.25 #	1.5 MB835 795
2471		97-99	45.81 #	1.5 MR296 474
<b>3 rear</b>				
725	w/ sunroof	91-99	48.12 #	1.5 MR241 222
1705	w/ sunroof	91-96	53.25 #	1.5 MB835 796
2472		97-99	48.12 #	1.5 MR241 222
<b>Side rail</b>				
<b>4 outer</b>				
726		91-96 R	24.27 #	2.0 MB637 440
727		91-96 L	24.27 #	2.0 MB637 439
2473	w/ sun roof	97-99 R	24.27 #	2.0 MB637 440
2474		97-99 L	24.27 #	2.0 MB637 439
2475	w/ sun roof	97-99 R	27.58 #	2.0 MB835 790
2476		97-99 L	27.58 #	2.0 MB835 789
<b>5 inner</b>				
728		91-96 R	44.64 #	2.0 MB637 442
729		91-96 L	45.54 #	2.0 MB637 441
2477	w/ sun roof	97-99 R	44.64 #	2.0 MB637 442
2478		97-99 L	45.54 #	2.0 MB637 441
2479	w/ sun roof	97-99 R	44.10 #	2.0 MR178 998
2480		97-99 L	44.10 #	2.0 MR178 997
<b>6 Drip molding</b>				
730		(p.3) 91-99 R	85.08	0.4 MB859 868
731		(p.3) 91-99 L	85.08	0.4 MB859 867
734	<b>grommet</b>	91-99	1.00	MB645 250
732	<b>Protector</b>	91-99 R	16.82	MB645 246
733		91-99 L	16.98	MB645 245
742	<b>Weatherstrip</b>	91-99 R	49.47	0.3 MB641 312
743		91-99 L	49.47	0.3 MB641 311
744	<b>retainer</b>	91-99 R	75.15	MB641 326
745		91-99 L	75.15	MB641 325
746	<b>nut</b>	91-99	1.52	MB023 930

# LABOR: After roof panel is removed.

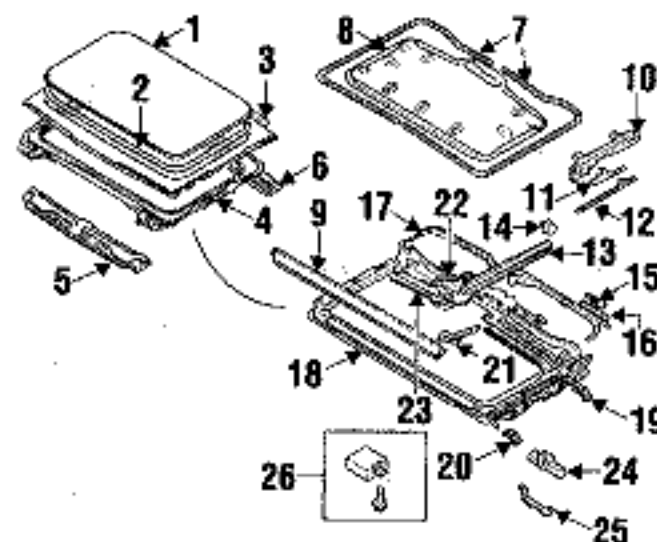


## SUNROOF

### 1991-96

1706	1 Glass assy	91-96	518.85	0.5 MB641 207
<b>Hinge half</b>				
1707	2 male	91-96 R	23.27	MB641 204
1708		91-96 L	23.27	MB641 203
1709	3 Latch	91-96	19.98	MB641 217
1710	4 Weatherstrip	91-96	35.19	MB641 213
1711	5 Deflector	91-96	53.25	0.6 MB641 206
1712	6 Extension	91-96	45.64	MB641 211
1713	7 retainer	91-96	1.05	MB417 673
1714	8 Sunshade	91-94	247.21 #	0.3 MB968 058
1838		95-96	235.69 #	0.3 MR716 266
1715	9 latch	91-94	11.60	MB968 054
1839		95-96	11.60	MB968 055
<b>Cover</b>				
1716	10 regulator	91-94	18.53	MB968 050
1900		95-96	18.11	MB968 051
1717	11 cap	91-94	1.99	MB927 006
1901		95-96	2.23	MB927 007
1718	12 Regulator	91-94	246.03	MB968 052
1902		95-96	261.92	MB968 053
1719	13 bolt	91-96	.77	MS240 033
1720	14 inner w'strip	91-96	100.88	0.5 MB641 210
1721	15 front rail	91-94	53.25	MB835 795
1903		95-96	50.55	MB637 494
1722	16 rear rail	91-96	53.25	MB835 796
<b>Hinge half</b>				
1723	17 female	91-96 R	10.47	MB641 202
1724		91-96 L	10.47	MB641 201

# PARTS: Order by color and application.

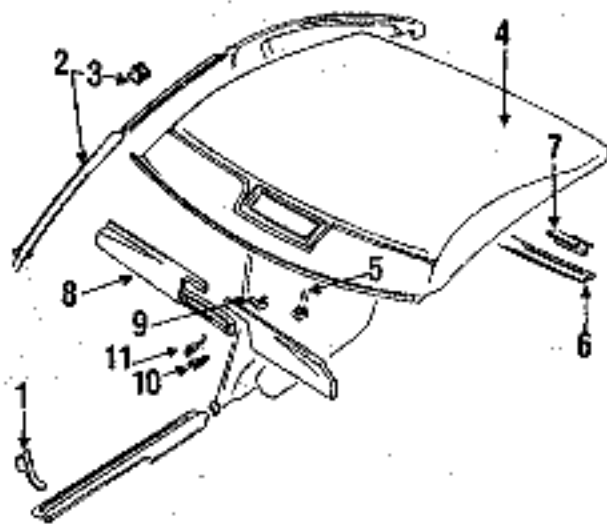


## SUNROOF

### 1997-99

2481	1 Sunroof panel	97-99	213.01	0.5 MR179 300
2506	2 Weatherstrip	97-99	36.59	0.7 MR169 321
2507	3 Roof panel	97-99	#	SEE FOOTNOTE
2508	4 Reinforcement	97-99	51.68	MR178 999
<b>Header panel</b>				
2509	5 front	97-99	#	SEE FOOTNOTE
2510	6 rear	97-99	#	SEE FOOTNOTE
2511	7 Seal	97-99	6.06	MR236 109
2512	8 Trim	97-99	112.95	MR735 364
2486	9 Deflector	97-99	36.71	0.6 MR170 498
2513	10 Lifter	97-99 R	176.19	MR236 100
2514		97-99 L	176.19	MR236 099
2515	11 Slider	97-99 R	8.15	MR236 102
2516		97-99 L	8.15	MR236 101
2517	12 Link	97-99 R	19.62	MR236 108
2518		97-99 L	19.62	MR236 107
2519	13 Rail	97-99 R	98.79	MR236 098
2520		97-99 L	98.79	MR236 097
2521	14 Holder	97-99 R	6.30	MR236 096
2522		97-99 L	6.30	MR236 095
2523	15 Cover	97-99	4.39	MR200 676
2524	16 Seal	97-99	5.76	MR264 069
2525	17 Regulator	97-99	77.19	MR200 678
2526	18 Housing	97-99	204.00	MR200 675
<b>bracket</b>				
2533	19 front	97-99	3.57	MR236 114
2534	20 rear	97-99	3.57	MR236 087
2527	21 Link	97-99 R	15.23	MR236 104
2528		97-99 L	15.23	MR236 103
<b>Sunroof</b>				
2529	22 dip plate	97-99 R	3.95	MR236 106
2530		97-99 L	3.95	MR236 105
2531	23 Guide bracket	97-99 R	4.74	MR236 094
2532		97-99 L	4.74	MR236 093
2535	24 Motor	97-99	239.91	1.0 MR170 499
2536	25 Support bracket	97-99	5.28	MR200 677
2537	26 Control module	97-98	141.45	MR169 048
2884		99	195.51	MR462 433

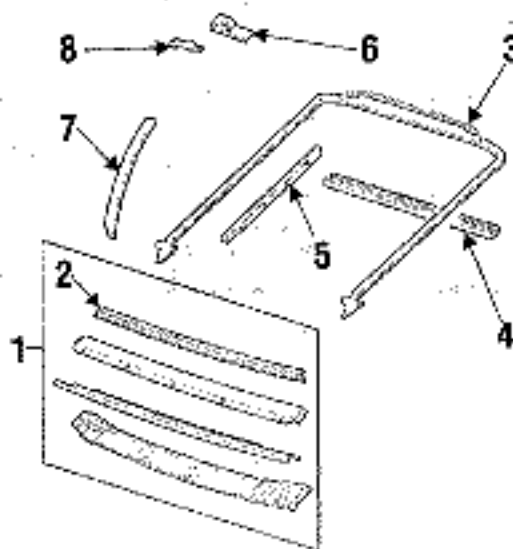
# PARTS: Part located in ROOF group.



INTERIOR TRIM

<b>1 Cowl trim</b>					
1245	gray	91-97 R	3.48	0.3	MB766 597
1246		91-97 L	3.05	0.3	MB766 596
2885	beige	98-99 R	134.76	0.3	MR751 659
2886		98-99 L	134.76	0.3	MR751 657
2888	black	98-99 R	134.76	0.3	MR751 658
2889		98-99 L	134.76	0.3	MR751 656
<b>2 Pillar trim</b>					
1404	gray	91-94 R	57.35	0.3	MB878 125
1405		91-94 L	57.35	0.3	MB878 123
1958		95-96 R	43.31	0.3	MB766 545
1959		95-96 L	43.31	0.3	MB766 544
2887	beige	97-99 R	55.85	0.3	MR751 579
2888		97-99 L	55.85	0.3	MR751 577
2670	black	97-99 R	55.85	0.3	MR751 578
2671		97-99 L	55.85	0.3	MR751 576
1249	clip	91-94	.58		MB645 022
1960		95-99	.58		MU470 013
<b>4 Headliner</b>					
w/o sunroof					
1250	base model	91-94	218.84	1.8	MR716 271
1962		95-99	232.12	1.8	MR716 270
1725	SL, VR-4 model	91-94	227.57	1.8	MB772 294
1963		95-98	232.12	1.8	MR716 268
2889		99	232.12	1.8	MR716 270
1726	w/sunroof	91-94	218.84	1.8	MB961 111
1964		95-98	277.27	1.8	MR716 272
2890		99		1.8	NOT LISTED
1251	clip	91-94	.58		MB772 292
1961		95-99	.58		MB648 995
<b>6 Rear molding</b>					
1252	gray	91-97	18.90	0.3	MB766 548
2891	beige	98-99	17.98	0.3	MR751 589
2672	black	98-99	17.98	0.3	MR751 588
1253	clip	91-99	1.00		MB645 115
<b>8 Visor</b>					
1254	gray	91-94 R	158.97	0.3	MR716 257
1255		91-94 L	158.97	0.3	MR716 255
1965	beige	95-99 R	141.45	0.3	MR745 756
1966		95-99 L	141.45	0.3	MR745 754
1258	holder	91-94	1.00		MB772 293
1967		95-99 B	1.00		MB766 479
<b>10 Coat hook</b>					
1257	gray	91-95	1.72		MB766 593
2894	beige	96-99	3.57		MR751 653
2895	black	96-99	2.38		MR734 397
1258	11 bracket	91-99	1.72		MB692 234

CONVERTIBLE/SOFT TOP

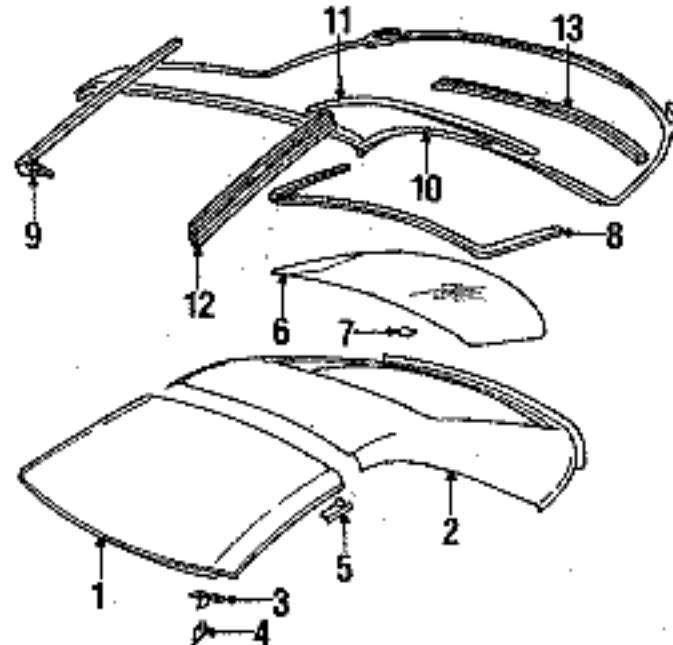


PARTS AND R&R OPERATIONS

<b>WINDSHIELD HEADER &amp; COMPONENTS</b>					
2030	1 Header panel	95-96	379.17		RE803 0AXX
2031	2 Cover	95-96	379.17	#	RE803 0AXX
2032	3 Weatherstrip	95-96	433.19		RE340 0AXX
<b>Retainer</b>					
2035	4 inner	95-96	31.44		RE135 7AXX
2033	5 outer	95-96 R	206.89		RE347 0AXX
2034		95-96 L	17.44		RE347 1AXX
<b>Molding</b>					
2036	6 header	95-96 R	52.44	#	RE210 0AXX

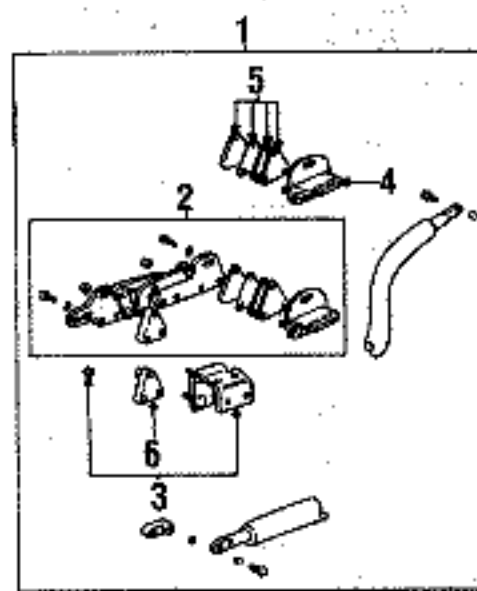
2035		95-96 L	52.44	#	RE210 1AXX
2037	7 pillar	95-96 R	211.10	#	RE148 4AXT
2036		95-96 L	211.10	#	RE148 5AXT
2040	8 Cap	95-96 R	10.39		RE261 2AXX
2041		95-96 L	10.39		RE261 3AXX

# PARTS: Part included in header panel.  
# PARTS: Order by description.



COVER & COMPONENTS

<b>Folding top</b>					
2023	1 front	95-96	1609.64	2.5	REA00 4GXX
2024	2 rear	95-96	2259.69	3.8	REA01 8GXX
<b>bracket</b>					
2025	3	95-96 R	133.44		REA01 0BXX
2026		95-96 L	133.44		REA01 1BXX
2027	4 pin	95-96	21.06		REB27 6CXX
2028	5 tape	95-96 R	.95		REB93 8AXX
2029		95-96 L	.95		REB93 8AXX
<b>6 Back glass</b>					
2047	Mitsubishi	95-96	423.14		RE054 8CXX
2048	NAGS	95-96			NOT LISTED
2049	7 Spacer	95-96	1.19		RE252 9AXX
2050	8 Molding	95-96	12.31		RE120 1BXX
<b>Weatherstrip</b>					
2051	9 front	95-96 R	60.48	0.5	RE723 8AXX
2052		95-96 L	60.48	0.5	RE723 9AXX
<b>rear</b>					
2053	10 outer	95-96	730.75		RE724 0AXX
2054	11 inner	95-96 R	700.69		RE302 4BXX
2055		95-96 L			RE202 5BXX
<b>Retainer</b>					
2056	12 front	95-96 R	17.69		RE348 0AXX
2057		95-96 L	17.69		RE348 1AXX
2058	13 rear	95-96	169.69		REB32 5AXX

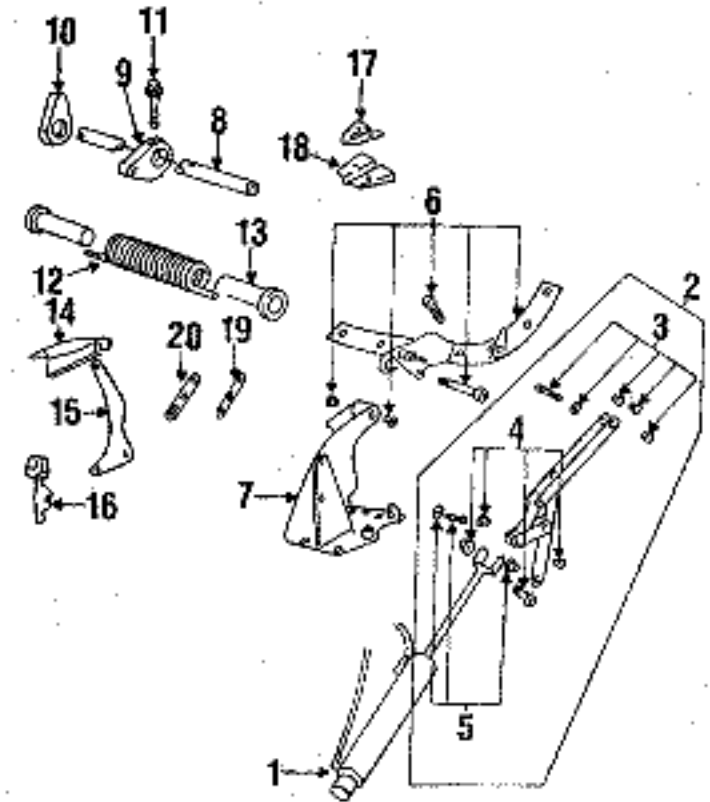


FRAME & COMPONENTS

<b>ROOF, SIDE</b>					
2059	1 Link Assy	95-96 R	162.82	0.8	RE864 0AXX
2060		95-96 L	179.47	0.8	RE864 1AXX
2062	2 Hinge	95-96	120.92	#	RE859 0AXX
<b>bracket</b>					
2091	3 front	95-96 R			RE820 6AXX
2092		95-96 L	52.71	#	RE820 9AXX
2093	4 rear	95-96 R	43.69	#	RE807 4AXX
2094		95-96 L	43.69	#	RE807 5AXX
2095	5 mount kit	95-96	68.00	#	RE821 5AXX

2086	6 spacer	95-96	8.03	#	RE243 9BXX
2087	7 Motor Assy	95-96	594.75	m 0.7	REB09 2DXX
2088	8 motor only	95-96	221.54	#	RE002 6BXX
2089	9 Switch	95-96	23.36	#	REB09 2FXX
2088	10 Rod	95-96	18.44		REB28 5BXX
2087	11 clip	95-96 R	2.26		SF437 1XCZ
2088		95-96 L	2.05		SF429 2XCX
2089	12 Latch	95-96 R	180.69		REC15 2AXX
2089		95-96 L	180.69		REC15 3AXX
2101	13 shim	95-96	2.00		SF416 7XCZ
2100	14 Wrench	95-96	50.00		REB85 9HXX

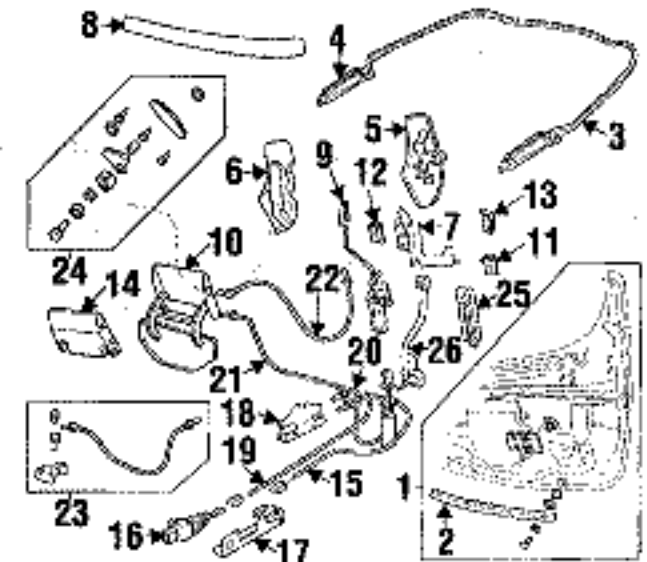
# PARTS: Part included in link assembly.  
# PARTS: Part included in motor assembly.



FRAME & COMPONENTS

<b>ROOF, FRONT</b>					
2059	1 Cylinder	95-96	358.14		RE804 9AX8
2060	2 Link Assy	95-96	187.44		RE808 4AXX
<b>bushing kit</b>					
2061	3 upper	95-96	12.89	#	RE807 6AXX
2062	4 center	95-96	67.98	#	RE803 7AX8
2063	5 lower	95-96	129.19	#	RE810 6AXX
<b>Mount bracket</b>					
2064	6 upper	95-96 R	232.15		RE808 2AXX
2065		95-96 L	232.15		RE808 3AXX
2066	7 lower	95-96 R	93.00		RE202 2HXX
2067		95-96 L	93.00		RE202 3GXX
2068	8 Torque rod	95-96	307.00		REB09 5EXX
2069	9 retainer	95-96	12.87		REB58 1AXX
2070	10 brace	95-96	42.31		REB99 0AXX
2071	11 bolt	95-96	1.62		SF437 0XWN
2072	12 spring	95-96 R	79.69		REA55 2AXX
2073		95-96 L	79.69		REA55 3AXX
2074	13 spacer	95-96	4.05		RE328 6AXX
2102	14 Panel support	95-96 R	22.64		REB30 2AXX
2103		95-96 L	22.64		REB30 3AXX
2104	15 bracket	95-96	25.64		RE880 7AXX
2105	16 guide	95-96 R	21.44		REB69 6AXX
2106		95-96 L	21.44		REB69 7AXX
<b>Down stop</b>					
bracket					
2107	17 upper	95-96	5.56		RE466 4BXX
2108	18 lower	95-96	19.06		RE347 4BXX
<b>Link</b>					
2109	19 actuator	95-96	162.82		RE864 0AXX
2110	20 control	95-96	179.47		RE864 1AXX

# PARTS: Part included in link assembly.



STORAGE COMPARTMENT

2111	1 Lid Assy	95-96	4583.00	1.5	RE883 7AXX
2112	2 Extension	95-96	439.53	#	REC00 6BXX
2113	3 Weatherstrip	95-96	822.14		RE702 2AXX

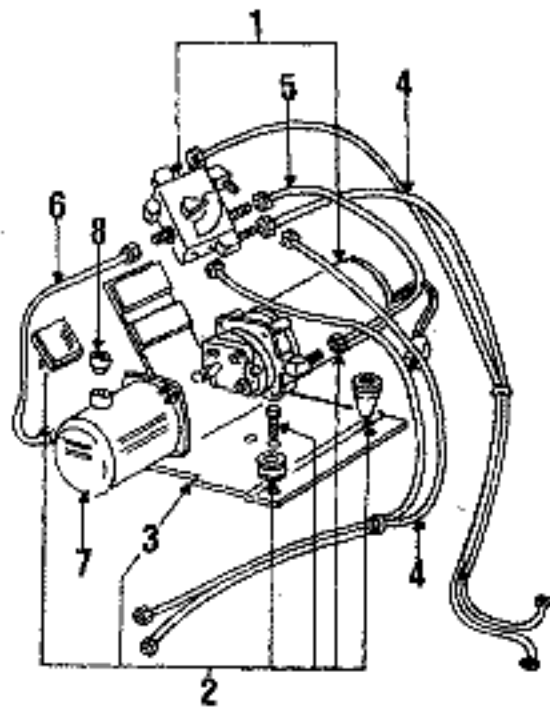
CONTINUED



## CONVERTIBLE/SOFT TOP (CONT)

2114	4 Molding	95-96 R	37.39	RE017 0AXX
2115		95-96 L	40.79	RE017 1AXX
<b>Tonneau cover</b>				
2116	5 closeout panel	95-96 R		REB17 2AR
2117		95-96 L		REB17 3AR
2120	6 flipper cover	95-96 R	81.33	REB85 0AXX
2121		95-96 L	74.56	REB85 1AXX
2118	7 retainer	95-96 R	198.14	REB90 0AXX
2119		95-96 L	198.14	REB90 1AXX
2122	8 Pad	95-96	56.25	REB97 4AXX
<b>Hinge</b>				
2123	9 outer	95-96 R	93.94	REB26 2AXX
2124		95-96 L	93.94	REB26 3AXX
2130	10 inner	95-96	1008.44	RE052 2CXX
<b>Striker</b>				
2125	11 outer	95-96 R	84.23	REC05 6EXX
2126		95-96 L	105.29	REC05 7EXX
2127	12 inner	95-96	111.48	REB15 3AXX
2128	13 Upper bracket	95-96 R	24.19	REC08 2AXX
2129		95-96 L	24.19	REC08 3AXX
2131	14 Cover	95-96	99.00	REB83 2AXX
2132	15 Cylinder	95-96	358.14	REB04 9AA8
2133	16 Actuator	95-96	115.64	REB89 8AXX
2134	17 bracket	95-96 R		REC24 4AXX
2135		95-96 L		REC24 5AXX
2136	18 Latch	95-96 R	765.28	REA18 0DXX
2137		95-96 L	765.28	REA18 1DXX
<b>Cable</b>				
2138	19 power release	95-96	20.21	REB89 9AXX
2139	20 latch actuator	95-96	20.49	REB88 0AXX
2140	21 flipper drive	95-96	39.10	REB71 8AXX
2141	22 outer hinge	95-96	28.86	REB18 0AXX
2142	23 manual release	95-96	121.73	REB67 6AXX
<b>Crank</b>				
2143	24 flipper hardware	95-96	236.06	REB67 7AXX
2144	25 Channel	95-96 R	85.75	REB07 2AXX
2145		95-96 L	85.75	REB07 3AXX
2146	26 Hinge	95-96 R	324.69	REB89 6AXX
2147		95-96 L	324.69	REB89 7AXX

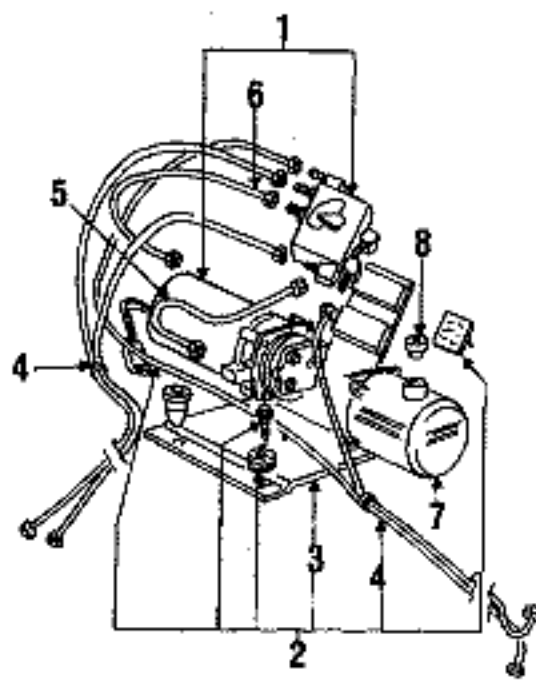
# PARTS: Part included in lid assembly.



### MOTOR & COMPONENTS TOPSTACK

2148	1 Motor Assy	95-96	691.56	m 1.2	RE804 8AXX
2149	2 Mount kit	95-96	55.00		RE810 7AXX
2150	3 bracket	95-96	51.75 #		RE824 5AXX
<b>Hose</b>					
2151	4 topstack	95-96 R	78.14		RE821 8AX8
2152		95-96 L	78.14		RE821 9AX8
2153	5 to pump, long	95-96	28.28		RE823 0AXX
2154	6 to pump, short	95-96	34.03		RE823 1AXX
2155	7 Reservoir	95-96	56.31		RE825 3AXX
2156	8 plug	95-96	30.42		RE805 4AXX

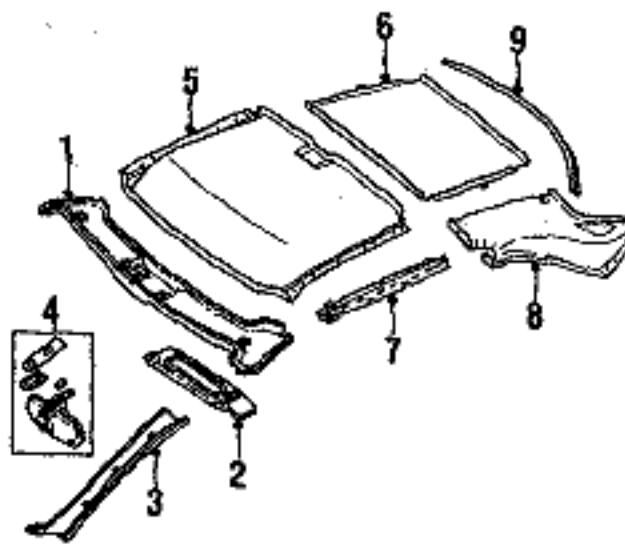
# PARTS: Part included in mount kit.



### MOTOR & COMPONENTS TONNEAU

2157	1 Motor Assy	95-96	724.69	m 1.2	REA80 48AX
2158	2 Mount kit	95-96	55.00		RE810 7AXX
2159	3 bracket	95-96	51.75 #		RE824 5AXX
<b>Hose</b>					
2160	4 topstack	95-96 R	46.25		RE821 8AA8
2161		95-96 L	63.14		RE821 9AA8
2162	5 to pump, long	95-96	34.03		REA82 30AX
2163	6 to pump, short	95-96	28.28		REA82 31AX
2164	7 Reservoir	95-96	56.31		RE825 3AXX
2165	8 plug	95-96	30.42		RE805 4AXX

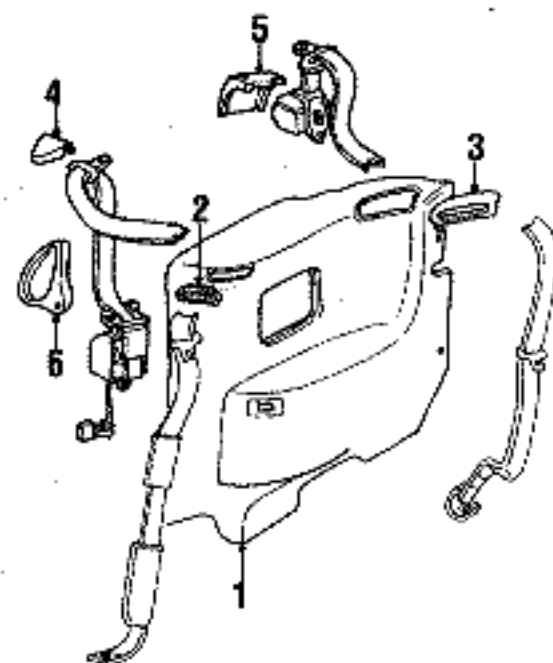
# PARTS: Part included in mount kit.



### INTERIOR TRIM ROOF

2167	1 Header trim	95-96	424.75	0.4	RE152 8DRG
2168	2 Visor	95-96 R	241.11	0.2	RE341 1BRG
2169		95-96 L	241.11	0.2	RE341 0BRG
2170	3 Pillar trim	95-96 R	232.22	0.3	RE059 8BXX
2171		95-96 L	189.58	0.3	RE059 9BXX
2172	4 Mirror inside	95-96		#	SEE FOOTNOTE
<b>Headliner</b>					
2173	5 front	95-96	585.19	1.0	RE474 6ARG
2174	6 rear	95-96		0.7	REA05 1AR
<b>extension</b>					
2175	7 front	95-96 R			REB74 8AR
2176		95-96 L			REB74 9AR
2177	8 rear	95-96 R			REA86 6AR
2178		95-96 L			REA86 7AR
2179	9 Window trim	95-96	99.82		RE057 0ARG

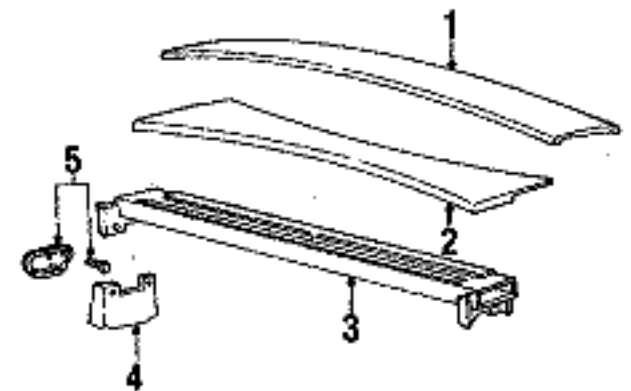
# PARTS: Part located in Cowl & Windshield group.



### INTERIOR TRIM QUARTER PANEL

2181	1 Quarter panel	95-96 R	545.14 #	1.2	RE731 4JRG
2182		95-96 L	452.50 #	1.2	RE731 5JRG
<b>Belt holder</b>					
2183	2 front	95-96 R			RE548 2CXG
2184		95-96 L	7.89		RE548 3DXG
2185	3 rear	95-96 R			REC15 4AX
2186		95-96 L			REC15 5AX
2187	4 Belt cover	95-96	5.11		REC15 6AXI
2188	5 Sight shield	95-96	23.50		REB90 5AXX
2189	6 Guide	95-96 R	65.83		RE783 6AXG
2190		95-96 L	17.77		RE783 7AXG

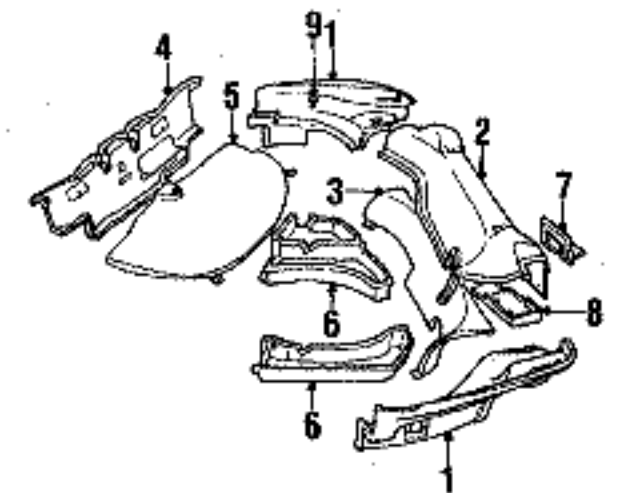
# LABOR: Includes seat belt R&I.



### INTERIOR TRIM PACKAGE TRAY

2191	1 Closure panel	95-96	456.94	1.0	REB69 9AXX
2192	2 Cover	95-96	651.75 #		REB37 6E2C
2193	3 Crossmember	95-96	127.50		REB36 8CXX
2194	4 bracket	95-96 R	28.94		REB56 8BXX
2195		95-96 L	28.94		REB56 9BXX
2200	5 Striker	95-96 R	48.87		RE802 4AXX
2201		95-96 L	48.87		RE802 5AXX

# PARTS: Order by color.



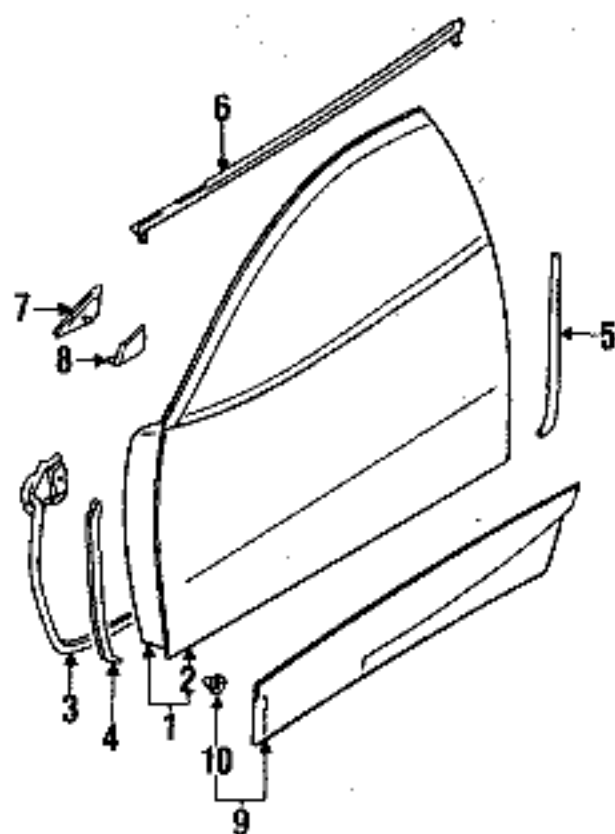
### INTERIOR TRIM STORAGE COMPARTMENT

<b>Cover panel</b>					
2202	1 outer	95-96 R	114.72	0.3	RE336 3AXX
2203		95-96 L	96.19	0.3	RE336 2AXX
<b>inner</b>					
2204	2 upper	95-96	145.56	0.3	REA88 1AXX
2205	3 lower	95-96	124.81 #	0.5	REC01 2AXX
2206	4 Rear body trim	95-96	145.56	0.3	REA88 0AXX
2207	5 Floor cover	95-96	3022.08		RE401 8ALG
2208	6 Cargo box	95-96 R	175.19	0.2	RE500 2BXX
2209		95-96 L		0.2	RE500 3BXX
2210	7 Storage box door	95-96	157.58		REB86 8AXX
2211	8 Storage tray	95-96	115.19		RE417 2AXX
2212	9 Retainer	95-96	.76		SF433 9XXX

# LABOR: Time includes upper trim panel.

### DOOR

Except Door Shell or Door Outer Panel R&R, all operation times in the following group are after trim panel is removed.



**REFINISHING NOTES**

Add for stone guard if required. See Guide to Estimating.

<b>Refin door shell</b>			
1736	exterior surface only	91-99	p2.2
735	edges	91-99	p.5
1737	inner panel	91-99	p.5
<b>Refin outer panel</b>			
2628	exterior surface only	91-99	p2.2
2630	edges	91-99	p.5
2631	inner panel	91-99	p.5

**ADD IF REQUIRED**

<b>R&amp;R door shell</b>			
1738	add for power units	91-99	0.4
1739	add for mirror	91-99	0.5
<b>R&amp;R outer panel</b>			
2532	add for power units	91-99	0.4
2633	add for mirror	91-99	0.5

**R&I OPERATIONS**

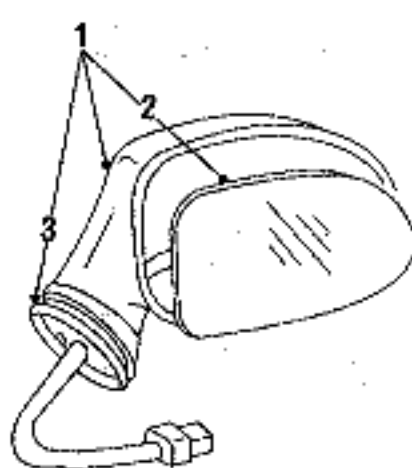
<b>R&amp;I door Assy</b>			
737	w/o power units	91-99 B	0.6
1433	w/power units	91-99 B	1.2
1434	R&I trim panel	91-99 B	0.5

**PARTS AND R&R OPERATIONS**

**DOOR & COMPONENTS**

<b>1 Door shell</b>			
738	w/o convert	(p3.2) 91-96 R	182.44 4.0 MR280 054
739		(p3.2) 91-96 L	182.44 4.0 MR280 053
2538		(p3.2) 97-99 R	361.90 4.0 MR296 496
2539		(p3.2) 97-99 L	361.90 4.0 MR296 495
1763	w/convertible	(p3.2) 95-96 R	182.44 4.0 MR280 054
1764		(p3.2) 95-96 L	182.44 4.0 MR280 053
740		(p2.2) 91-99 R	180.89 5.0 MR325 786
741		(p2.2) 91-99 L	180.89 5.0 MR325 785
<b>Weatherstrip</b>			
742	lower on door	91-99 R	12.49 0.3 MB632 274
745		91-99 L	12.85 0.3 MB632 273
<b>lower on body</b>			
749	front	91-99 R	10.94 0.3 MB641 316
750		91-99 L	12.37 0.3 MB641 315
751	rear	91-99 R	11.15 0.3 MB641 426
752		91-99 L	12.37 0.3 MB641 425
753	outer at belt	91-99 R	63.32# 0.3 MB641 308
754		91-99 L	63.32# 0.3 MB641 307
755	grommet	91-99	.85 MU810 517
<b>Corner cover</b>			
766	outer	91-96 R	4.23 MB641 358
767		91-96 L	4.23 MB641 357
2968		97-99 R	4.23 MR248 082
2969		97-99 L	4.23 MR248 081
768	inner	91-99 R	3.48 MB641 362
769		91-99 L	3.48 MB641 361
770	Lower molding	(p.8) 91-99 R	459.37# 0.7 MB831 224
771		(p.8) 91-99 L	459.37# 0.7 MB831 223
772	10 clip	91-99	1.00 MB645 333

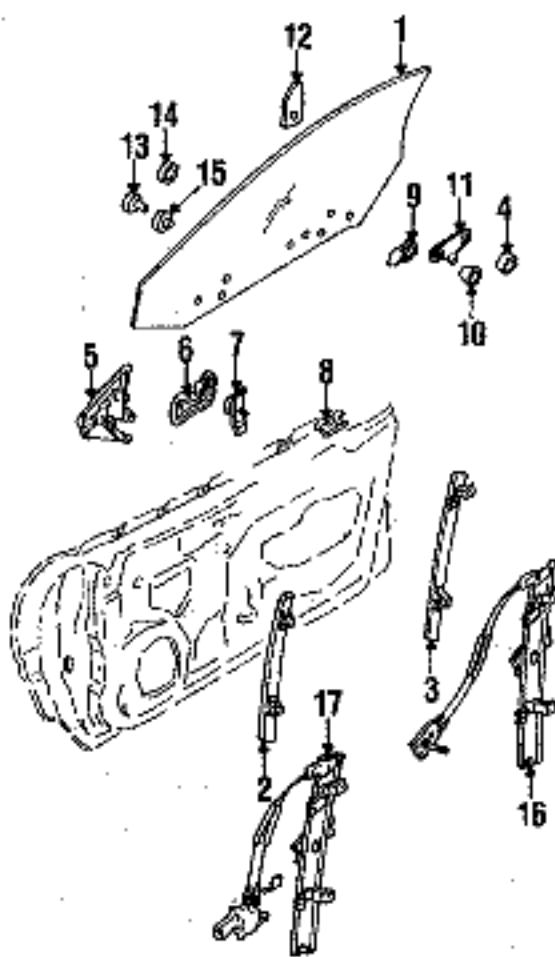
# **LABOR:** Does not include time to gain access.  
 † **PARTS:** Order by color and application. Refinish time is provided for those instances when required color is not available or for some repair situations.



**OUTSIDE MIRRORS**

<b>1 Mirror Assy</b>			
756	w/o heat	91-94 R	149.29# 0.5 MB770 395
757		91-94 L	149.29# 0.5 MB770 388
1904		95-97 R	148.72# 0.5 MR760 049
1905		95-97 L	146.37# 0.5 MR736 967
2674		98-99 R	148.72# 0.5 MR773 913
2675		98-99 L	148.72# 0.5 MR760 048
758	w/heat	91-94 R	149.29# 0.5 MB770 381
759		91-94 L	153.68# 0.5 MB770 374
1906		95-98 R	190.89# 0.5 MR760 047
1907		95-98 L	190.89# 0.5 MR760 046
2960		99 R	† 0.5 NOT LISTED
2961		99 L	† 0.5 NOT LISTED
<b>2 Glass</b>			
replacement			
760	w/o heat	91-99 R	43.53 0.2 MB645 064
761		91-99 L	43.53 0.2 MB645 063
762	w/heat	91-98 R	43.53 0.2 MB645 062
763		91-98 L	43.53 0.2 MB645 061
2962		99 R	† 0.2 NOT LISTED
2963		99 L	† 0.2 NOT LISTED
764	3 gasket	91-99	4.35 MB645 056
765		91-99	4.35 MB645 055

† **PARTS:** Order by color and application.

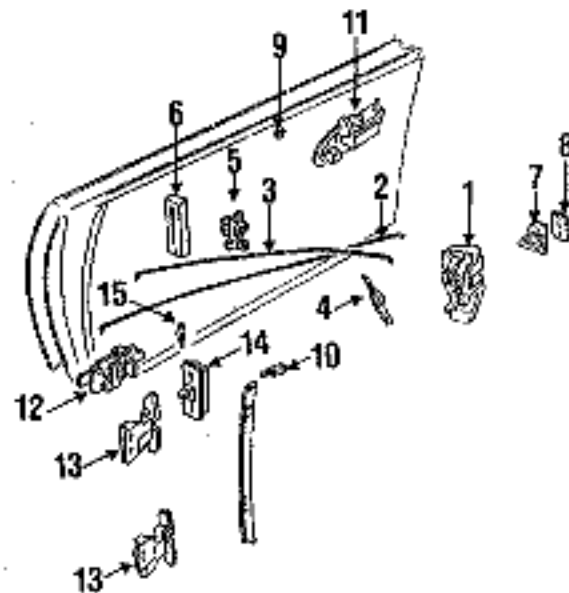


**GLASS & HARDWARE**

<b>1 Door glass</b>			
773	Mitsubishi	91-93 R	243.52 0.5 MB776 779
774		91-93 L	243.52 0.5 MB776 778
1621	w/o convertible	94-95 R	235.63 0.5 MB641 232
1622		94-95 L	235.63 0.5 MB641 231
1765	w/convertible	95 R	243.52 0.5 MR200 644
1766		95 L	243.52 0.5 MR200 643
2010	all	96-99 R	243.52 0.5 MR200 644
2011		96-99 L	243.52 0.5 MR200 643
<b>NAGS</b>			
775	blue tint	91-98 R	344.40 0.5 FD04345BTN
776		91-98 L	344.40 0.5 FD04346BTN
2964		99 R	† 0.5 SEE FOOTNOTE
2965		99 L	† 0.5 SEE FOOTNOTE
2966	green tint	91-99 R	344.40 0.5 FD04345GTN
2967		91-99 L	344.40 0.5 FD04346GTN
2968	gray tint	91-98 R	383.10 0.5 FD04345YTN
2969		91-98 L	383.10 0.5 FD04346YTN
2966		99 R	† 0.5 SEE FOOTNOTE
2967		99 L	† 0.5 SEE FOOTNOTE
<b>Guide</b>			
777	2 front	91-99 R	37.03 MB641 346
778		91-99 L	36.67 MB641 345

779	3 rear	91-99 R	36.30 MB641 352
780		91-99 L	36.67 MB641 351
781	4 Roller	91-99	5.58 MB421 930
782	5 Sash channel	91-99 R	48.45 MB641 342
783		91-99 L	48.45 MB641 341
784	6 slider	91-99 R	17.46 MB641 302
785		91-99 L	17.46 MB641 301
<b>Stabilizer</b>			
786	7 front	91-99	10.27 MB641 271
787	8 rear	91-99 R	14.56 MB641 270
788		91-99 L	14.86 MB641 269
789	9 Hook	91-99	2.57 MB641 427
790	10 Stopper	91-99	1.72 MB632 247
791	11 Plate	91-99	21.37 MB862 127
792	12 Striker	91-99 R	1.52 0.2 MB641 370
793		91-99 L	1.52 0.2 MB641 369
794	13 bolt	91-99	2.15# MB364 450
795	14 nut	91-99	.47# MS440 502
796	15 cushion	91-99	1.85# MB364 453
<b>Regulator</b>			
797	16 manual	91-96 R	95.08 0.5 MB641 278
798		91-96 L	95.08 0.5 MB641 277
2968		97-98 R	64.24 0.5 MR280 052
2969		97-98 L	64.24 0.5 MR280 051
799	17 power w/motor	91-96 R	178.76 0.6 MB641 282
800		91-96 L	171.13 0.6 MB641 281
2540		97-99 R	182.44 0.6 MR280 054
2541		97-99 L	182.44 0.6 MR280 053
801	Window handle	91-96 B	10.57 0.3 MB784 686
2676		97-98 B	9.99 0.3 MB766 474
802	Joint cover	91-96	1.72 MB784 687
2877		97-98 B	1.62 0.3 MB766 475

# **PARTS:** Order by location and description.  
 † **PARTS:** Nags information not available at time of publication.



**LOCK & HARDWARE**

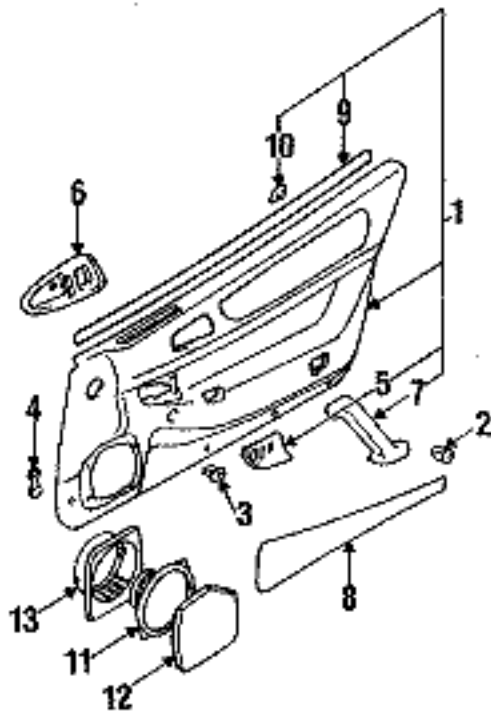
<b>1 Lock</b>			
803	w/o power	91-98 R	38.03 0.5 MB632 466
804		91-98 L	38.03 0.5 MB632 465
805	w/power	91-99 R	38.41 0.5 MB632 470
806		91-99 L	38.41 0.5 MB632 469
<b>Rod</b>			
807	2 lock lever	91-99 R	10.37 0.2 MB632 152
808		91-99 L	10.17 0.2 MB632 151
809	3 inside handle	91-99 R	8.35 0.2 MB632 150
810		91-99 L	8.52 0.2 MB632 149
811	4 outside handle	91-99 R	3.59 0.2 MB641 450
812		91-99 L	3.59 0.2 MB641 449
813	5 holder	91-99	1.26 MB105 260
814	6 cushion clip	91-99	1.06 MB142 581
815	yellow	91-93	.58 MU481 101
1908	orange	94-99	.58 MU481 193
816	purple	91-93	.58 MU481 102
1909	green	94-99	.58 MU481 194
817	7 Striker shim	91-99 B	4.99 0.3 MB626 247
818		91-99	2.23 MB574 974
<b>Cyl &amp; keys</b>			
819	w/o anti-theft	91-94 R	30.10 0.4 MB953 217
820		91-94 L	25.78 0.4 MR264 687
821	w/anti-theft	91-94 R	31.32 0.4 MR264 690
822		91-94 L	31.32 0.4 MR264 689
1912	all	95-99 R	43.28 0.4 MR193 837
1913		95-99 L	43.28 0.4 MR193 836
<b>Damper</b>			
823	9 upper	91	.95 MB133 590
1910		92-99	3.15 MU720 002
824	10 lower	91	1.18 MB019 730
2920		92-99	1.00 MU720 011
<b>Handle</b>			
825	11 outside black	91-95 R	66.62# 0.5 MB770 345
826		91-95 L	66.62# 0.5 MB770 337
1914		96-99 R	62.67# 0.5 MR760 041
1915		96-99 L	62.67# 0.5 MR760 040
2971	blue	91-92 R	66.62# 0.5 MB770 345

CONTINUED

## DOOR (CONT)

2972	91-92 L	66.62	0.5	MB770 337
2973	93-98 R	66.62	0.5	MB976 337
2974	93-98 L	66.62	0.5	MB976 335
2975	red 91-99 R	66.62	0.5	MB770 345
2976	white 91-99 L	66.62	0.5	MB770 337
2977	white 91-99 R	66.62	0.5	MB770 345
2978	white 91-99 L	66.62	0.5	MB770 337
827	12 inside 91-99 R	26.20		MB766 535
828	91-99 L	26.20		MB766 534
<b>Hinge</b>				
829	13 upper or lower (p.3) 91-93 B	17.68	0.3	MB632 307
1911	(p.3) 95-99 B	16.24	0.3	MR134 895
830	14 Door check 91-99 B	16.13	0.3	MB641 267
831	15 pin 91-99	1.00		MB632 510

† PARTS: Order by color and application.  
‡ LABOR: After door is removed.

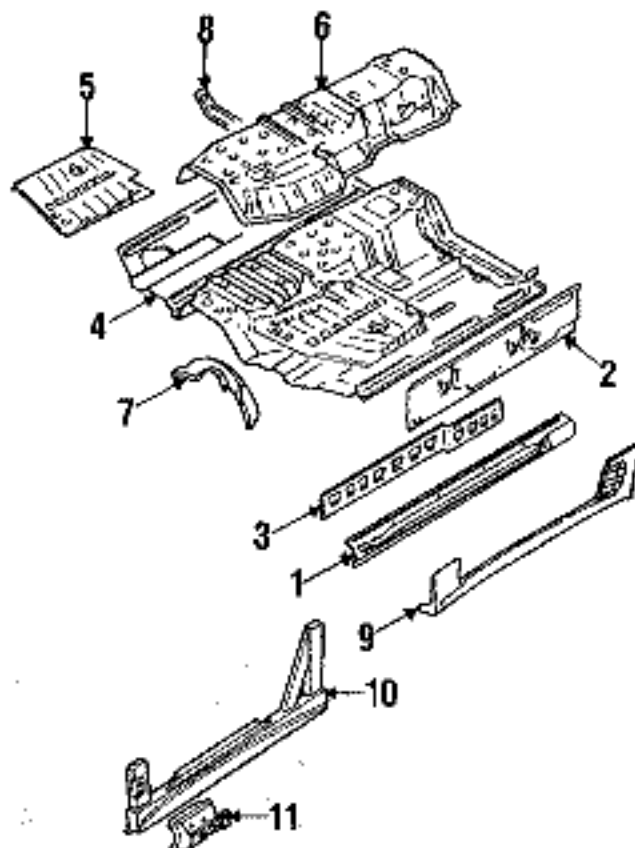


## INTERIOR TRIM

<b>1 Trim panel</b>				
1225	gray 91-95 R	465.93	1.0	MB767 817
1226	gray 91-95 L	461.33	1.0	MB767 815
2979	beige 91-95 R	469.97	1.0	MB773 299
2980	beige 91-95 L	465.35	1.0	MB773 289
2981	96 R	490.14	1.0	MR751 613
2982	96 L	490.14	1.0	MR751 611
2983	97-99 R	394.52	1.0	MR776 517
2984	97-99 L	394.52	1.0	MR776 515
2985	black 96-99 R	394.52	1.0	MR776 516
2986	black 96-99 L	394.52	1.0	MR776 514
1227	2 grommet 91-99	1.52		MB692 947
1228	3 clip 91-99	.72		MB692 357
1229	4 Cap 91-94	1.00		MB766 468
1953	95	.85		MB877 818
2987	96-99	.85		MB877 819
<b>Boxel</b>				
1234	5 window switch 91-99 R	8.69		MB645 304
1235	91-99 L	8.69		MB645 301
1236	6 door handle 91-99 R	3.70		MB766 537
1237	91-99 L	3.88		MB766 536
<b>7 Pull handle</b>				
1238	gray 91-95 R	18.82	0.3	MB766 576
1239	gray 91-95 L	18.44	0.3	MB766 575
2990	beige 96-99 R	19.04	0.3	MR751 640
2991	beige 96-99 L	19.04	0.3	MR751 638
2992	black 96-99 R	19.04	0.3	MR751 639
2993	black 96-99 L	19.04	0.3	MR751 637
<b>8 Carpet trim</b>				
1236	gray 91-95 R	65.97		MB692 967
1237	gray 91-95 L	66.62		MB692 965
2992	beige 96-99 R	55.37		MB782 857
2993	beige 96-99 L	55.37		MB782 855
2994	black 96-99 R	55.37		MB782 856
2995	black 96-99 L	55.37		MB782 854
1239	9 Inner w'strip 91-99 R	34.65		MR153 920
1239	91-99 L	34.65		MR153 919
1240	10 clip 91-98	.72		MU470 031
<b>11 Speaker</b>				
1403	w/o power window 91-94 B	65.97	1.0	MB823 810
1956	95-99 B	54.83	1.0	MR142 013
1241	w/power window 91-94 B	68.63	1.0	MB649 775
1957	95-99 B	74.82	1.0	MR172 110
<b>12 Grille</b>				
1242	gray 91-95 R	27.73		MB766 578
1243	gray 91-95 L	28.57		MB766 577
2996	beige 96-99 R	26.02		MR751 652
2997	beige 96-99 L	26.02		MR751 650
2998	black 96-99 R	26.02		MR751 651
2999	black 96-99 L	26.02		MR751 649
1244	13 Speaker housing 91-99	10.20		MB629 120

# PARTS: Order by color and application.

## ROCKER PANEL & FLOOR



REFINISHING NOTES  
Add for stone guard if required. See Guide to estimating.

### OVERLAP OPERATIONS

R&R rocker panel with hinge pillar off

2638	deduct 91-99	1.0
------	--------------	-----

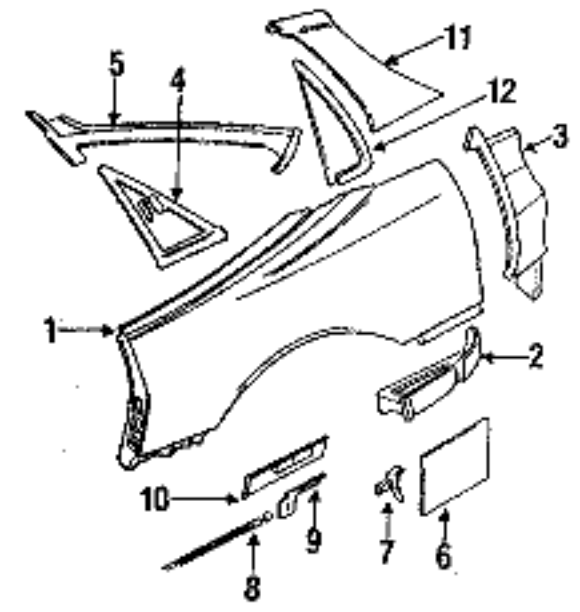
### PARTS AND R&R OPERATIONS

#### ROCKER PANEL

<b>Rocker panel</b>					
outer					
833	1 w/o convert (p1.8) 91-99 R	161.82	s	5.5	MB637 446
834	(p1.8) 91-99 L	161.82	s	5.5	MB637 445
1917	w/convert (p1.8) 95-96 R	171.94	s	5.5	MR179 302
1918	(p1.8) 95-96 L	171.94	s	5.5	MR179 301
835	2 inner 91-99 R	63.18	#s	3.5	MB637 394
836	91-99 L	63.18	#s	3.5	MB637 393
<b>Reinforcement</b>					
837	3 w/o convert 91-99 R	48.95	s	2.5	MB835 722
838	91-99 L	48.47	s	2.5	MB835 721
1918	w/convert 95-96 R	51.68	s	2.5	MR179 304
1919	95-96 L	51.68	s	2.5	MR179 303
839	4 Front floor pan 91-99	353.80			MB637 392
840	5 Upper plate 91-99 R	95.05			MB637 396
841	91-99 L	95.05			MB637 395
842	6 Center reinf 91-99	198.19			MB637 397
<b>Floor c'member</b>					
843	7 front center 91-99	35.90			MB637 398
844	8 rear 91-99 R	29.49			MB637 400
845	91-99 L	30.07			MB637 399
<b>Sill plate</b>					
846	gray 91-95 R	25.25	0.3		MB766 547
847	gray 91-95 L	25.25	0.3		MB766 546
3000	beige 96-99 R	23.46	0.3		MR751 587
3001	beige 96-99 L	23.46	0.3		MR751 585
2542	black 96-99 R	23.46	0.3		MR751 586
2543	black 96-99 L	23.46	0.3		MR751 584
848	9 Molding (p1.5) 91-93 R	596.77	0.8		MB907 036
849	(p1.5) 91-93 L	596.77	0.8		MB907 035
1625	w/o convert (p1.5) 94-99 R	602.72	0.8		MR124 052
1626	(p1.5) 94-99 L	602.72	0.8		MR124 051
2044	w/convertible (p1.5) 95-96 R	596.77	0.8		MB907 036
2045	(p1.5) 95-96 L	2356.06	0.8		REB77 9AXX
850	clip 91-99	1.00			MB645 334
851	grommet 91-99	1.00			MB645 338
<b>10 Support bracket</b>					
2225	convertible 95-96 R	644.72			RE577 0LXX
2226	95-96 L	644.72			RE577 1LXX
<b>11 Reinforcement</b>					
2227	convertible 95-96 R	25.94			REB31 6FXX
2228	95-96 L	25.94			REB31 7FXX

# LABOR: After outer panel is removed.  
† PARTS: Order by description.

## QUARTER PANEL



### REFINISHING NOTES

Add for stone guard if required. See Guide to Estimating.

<b>Refn quarter panel</b>			
1740	exterior surface only 91-99	p22	
887	edges & pockets 91-99	p.3	
1741	lock pillar 91-99	p.5	

### OVERLAP OPERATIONS

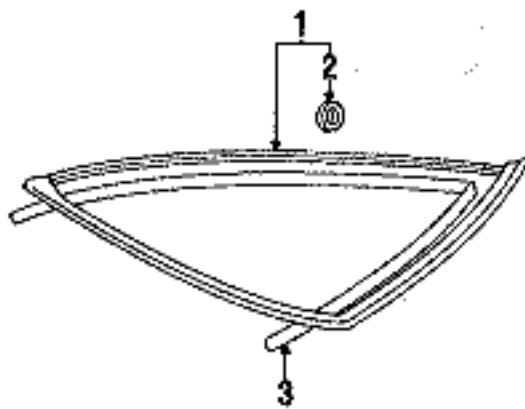
<b>R&amp;R quarter panel with rocker off</b>			
1776	deduct 91-99	1.0	
<b>R&amp;R quarter panel with roof off</b>			
2634	deduct 91-99	4.0	

### PARTS AND R&R OPERATIONS

#### QUARTER PANEL & COMPONENTS

<b>1 Quarter panel</b>				
888	2WD (p3.0) 91-96 R	413.59	15.5	MB637 456
889	(p3.0) 91-96 L	410.25	15.0	MB637 455
2559	(p3.0) 97-99 R	417.69	15.5	MR296 484
2560	(p3.0) 97-99 L	417.69	15.0	MR296 483
<b>4WD</b>				
3002	w/o w/hl stg (p3.0) 98 R	417.69	15.5	MR296 484
3004	(p3.0) 98 L	417.69	15.0	MR296 483
3005	(p3.0) 99 R	413.59	15.5	MB637 456
3003	(p3.0) 99 L	410.25	15.0	MB637 455
3006	w/4 w/hl stg (p3.0) 91-96 R	413.59	15.5	MB637 456
3007	(p3.0) 91-96 L	410.25	15.0	MB637 455
3008	(p3.0) 97-99 R	417.69	15.5	MR296 484
3009	(p3.0) 97-99 L	417.69	15.0	MR296 483
890	2 Rear extn 91-99 R	19.20	1.5	MB637 466
891	91-99 L	19.20	1.5	MB637 465
892	3 Lamp housing 91-99 R	39.70	2.0	MB637 478
893	91-99 L	39.70	2.0	MB637 477
<b>Extension</b>				
894	4 center pillar 91-99 R	18.44		MB637 470
895	91-99 L	18.08		MB637 469
896	5 Rear pillar (p1.0) 91-99 R	36.87	1.5	MB637 454
897	(p1.0) 91-99 L	37.60	1.5	MB637 453
898	6 Fuel door (p.3) 91-99	35.63	0.3	MB632 449
899	clip 91-99	.77		MB642 442
900	7 Hook 91-99	4.95		MB023 335
901	8 Release cable 91-99	14.06	2.0	MB632 377
<b>9 Handle</b>				
902	gray 91-95	16.65		MB766 538
2561	black 96-99	15.86		MR172 772
<b>10 Cover</b>				
903	gray 91-95	4.35		MB766 540
2562	96-99	3.88		MR751 483
904	grommet 91-99	1.05		MS480 009
<b>11 Upper molding</b>				
905	primary coal 91-98 R	105.32	1.0	MB859 870
906	91-98 L	115.54	1.0	MB859 869
3010	black 99 R	115.27	1.0	MR792 080
3011	99 L	115.27	1.0	MR792 074
3012	green 99 R	115.27	1.0	MR792 084
3013	99 L	115.27	1.0	MR792 078
3014	red 99 R	115.27	1.0	MR792 081
3015	99 L	115.27	1.0	MR792 075
3016	white 99 R	115.27	1.0	MR792 079
3017	99 L	115.27	1.0	MR792 073
<b>Protector</b>				
907	upper 91-98	3.18		MB645 368
3018	99			NOT LISTED
908	lower 91-98	4.13		MB645 297
3019	99			NOT LISTED
1758	Lower molding 91-99	@		SEE FOOTNOTE
909	12 Black out tape 91-98 R	139.98	0.5	MR192 616
910	91-98 L	139.98	0.5	MR192 615
1922	99 R		0.5	NOT LISTED
1923	99 L		0.5	NOT LISTED
290	Antenna Assy 91-99	286.40	0.8	MR282 622
291	Moat 91-99	31.45	0.5	MR282 623

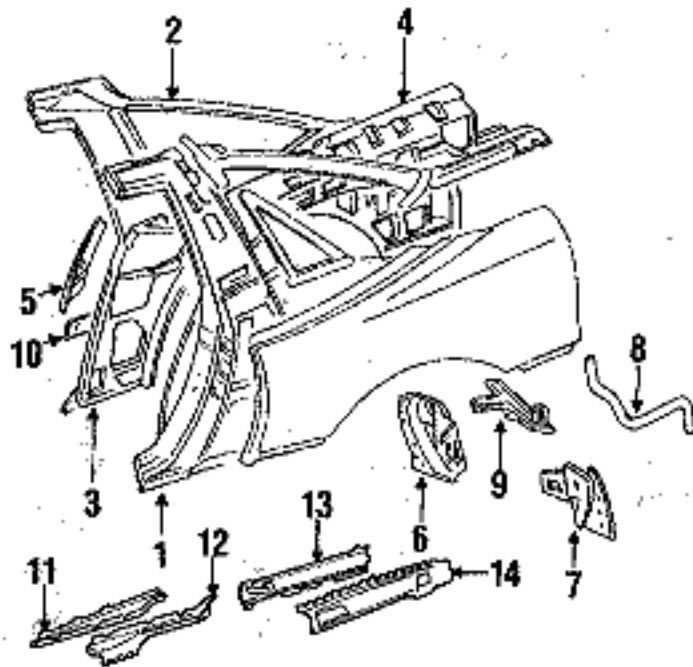
**PARTS:** Part located in **ROCKER PANEL & FLOOR** group.



**STATIONARY GLASS**

<b>1 Glass</b>					
913	Mitsubishi	91-93 R	172.75	2.7	MB766 802
914		91-93 L	172.75	2.7	MB766 800
1627		94-96 R	160.05	2.7	MB766 801
1628		94-96 L	160.05	2.7	MB766 799
2563		97-99 R	239.21	2.7	MR192 462
2564		97-99 L	239.21	2.7	MR192 461
915	NAGS	91-98 R	286.95	2.7	FQ04372YTY
916		91-98 L	286.95	2.7	FQ04373YTY
3020		99 R	#	2.7	SEE FOOTNOTE
3021		99 L	#	2.7	SEE FOOTNOTE
917	<b>2 gasket</b>	91-99	1.00		MB608 330
918	<b>nut</b>	91-99	.58		MS440 516
919	<b>3 seal</b>	91-99	19.50		MB292 508

**# PARTS:** Nags information not available at time of publication.



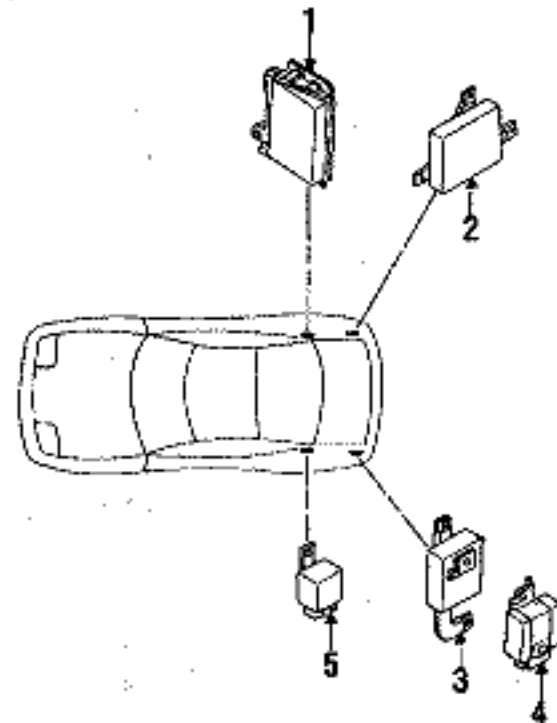
**INNER COMPONENTS**

<b>Lock pillar</b>					
920	w/ convert	(p.10) 91-99 R	147.67 #	4.0	MB637 452
921		(p.10) 91-99 L	147.67 #	4.0	MB637 451
1926	w/oververt	(p.7) 95-96 R	143.32 #	3.2	MR179 312
1927		(p.7) 95-96 L	143.32 #	3.2	MR179 311
<b>Inner panel</b>					
922	2 upper	91-96 R	126.21		MR296 486
923		91-96 L	126.43		MB637 459
2566		97-99 R	126.21		MR296 486
2567		97-99 L	126.21		MR296 485
<b>3 lower</b>					
924	standard, SL model	91-96 R	80.95 #	5.0	MB637 462
925		91-96 L	80.95 #	5.0	MB637 461
926	VR-4	91-96 R	80.95 #	5.0	MB637 462
927		91-96 L	95.05 #	5.0	MB835 193
2568	all	97-99 R	80.95 #	5.0	MB637 462
2569		97-99 L	80.95 #	5.0	MB637 461
<b>4 Panel reinf.</b>					
928		91-99 R	91.17		MB637 464
929		91-99 L	91.17		MB637 463
<b>5 Inner wheelhouse</b>					
930	standard, SL model	91-99 R	202.38 #s	3.5	MB907 782
931		91-99 L	202.38 #s	3.5	MB907 781
932	VR-4 model	91-99 R	222.77 #s	3.5	MB907 784
933		91-99 L	181.75 #s	3.5	MB907 783
<b>6 Splash shield</b>					
934		91-93 R	17.68	0.4	MB698 868
935		91-93 L	17.68	0.4	MB698 867
1928		94-99 R	19.67	0.4	MR124 480
1929		94-99 L	19.67	0.4	MR124 479
936	<b>clip</b>	91-99	1.48		MB547 806
<b>8 Drain tube</b>					
937	to 391	91 R	4.67		MB640 930
938		91 L	8.78		MB590 063
1392	from 391	91-99 B	4.67		MB640 930
939	<b>clip</b>	91-99	.77		MS660 167
940	<b>grommet</b>	91-99	2.15		MU810 509
941	<b>9 Tie down hook</b>	91-99 R	32.82		MB640 924
942		91-99 L	23.45		MB640 923
1496	<b>plate</b>	91	4.86		MR137 296
943	<b>10 Seat belt reinf.</b>	91-99	5.10		MB637 529

**Inner qtr panel**

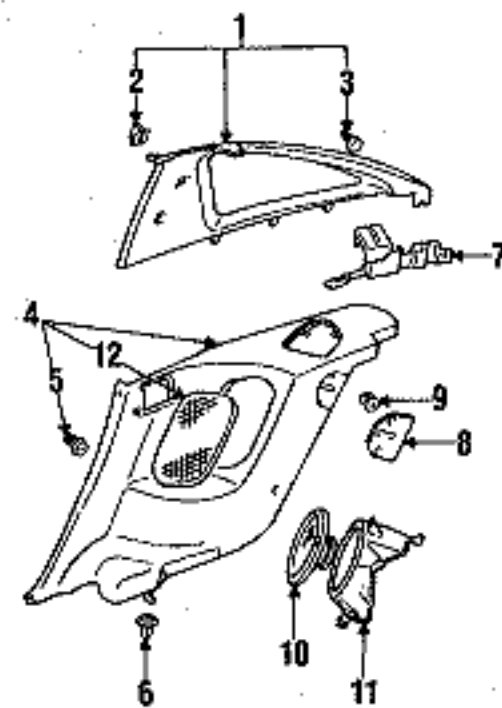
<b>convertible window bracket</b>					
2213	11 outer	95-96 R	35.14		RE270 8EXX
2214		95-96 L	35.14		RE270 9EXX
2219	12 inner	95-96 R	17.59		REA73 2GXX
2220		95-96 L	17.59		REA73 3GXX
2215	13 upper extension	95-96 R	680.77		REA94 8DXX
2216		95-96 L	680.77		REA94 9DXX
2217	14 side trough	95-96 R	640.38		REA94 2GXX
2218		95-96 L	640.38		REA94 3GXX

**# LABOR:** After outer panel is removed.



**COMPONENTS ON QUARTER PANEL**

<b>Control module</b>					
944	1 anti-lock brakes	91-95	1155.66	m 0.8	MB903 851
2570	w/ turbo	96	696.73	m 0.8	MR249 589
3022		97-99	689.01	m 0.8	MR307 809
945	w/ turbo	91-94	1178.78	m 0.8	MB903 852
1930		95-96	2073.75	m 0.8	MB954 172
2571		97-99	696.73	m 0.8	MR249 590
946	2 electronic susp	91-96	209.68	m 0.5	MB629 056
947	3 active aero	91-96	259.45	m 0.5	MB852 400
948	4 dual mode muffler	91-94	208.99	m 0.5	MB666 964
<b>Relay</b>					
949	5 delay wiper	91-99	50.92	m 0.3	MB510 925

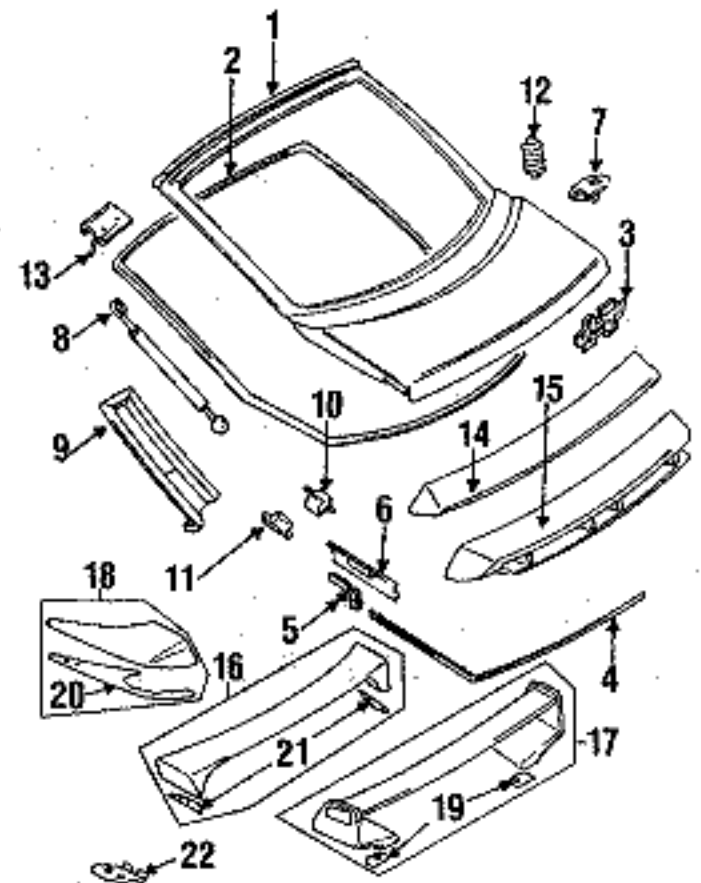


**INTERIOR TRIM**

<b>1 Upper qtr trim</b>					
1259	gray	91-94 R	147.37	1.0	MB897 470
1260		91-94 L	159.65	1.0	MB897 469
1968		95 R	143.94	1.0	MR740 520
1969		95 L	143.94	1.0	MR740 518
1406	beige	96-99 R	126.58	1.0	MR751 685
1407		96-99 L	126.58	1.0	MR751 683
3023	black	96-99 R	123.89	1.0	MR751 684
3024		96-99 L	123.89	1.0	MR751 682
3025	clip	91	0.58		MB645 022
3026		92-99	.58		MU470 013
1262	3 pin	91-99	.90		MB566 720
<b>4 Lower qtr trim</b>					
1263	gray	91-95 R	148.38	0.8	MB766 557
1264		91-95 L	148.38	0.8	MB766 556
3026	beige	96-99 R	134.76	0.8	MR751 593
3027		96-99 L	137.68	0.8	MR751 591
3028	black	96-99 R	137.68	0.8	MR751 592
3029		96-99 L	134.76	0.8	MR751 590
1265	5 pin	91-99	.98		MB132 135
1266	6 grommet	91-99	.77		MU480 034
1267	7 bracket	91-99 R	3.78		MB692 302

1268	8 Latch cover	91-99 L	3.86		MB692 301
1269	gray	91-95	2.24		MB766 591
3030	beige	96-99	2.15		MR750 199
3031	black	96-99	1.78		MR750 198
1270	9 grommet	91	1.05		MS480 009
1970		92-99			NOT LISTED
<b>10 Speaker</b>					
1408	w/ power window	91-94 B	65.97	0.3	MB629 118
1971		95-99 B	46.22	0.3	MR142 015
1271	w/ power window	91-94 B	85.08	0.3	MB649 777
1972		95-99 B	80.48	0.3	MB954 762
<b>11 bracket</b>					
1408	w/ power window	91-94 R	21.79		MB649 722
1410		91-94 L	21.37		MB649 721
1974		95-99 B			NOT LISTED
1272	w/ power window	91-99 R	21.79		MB629 122
1273		91-99 L	21.37		MB629 121
<b>12 Grille</b>					
1274	gray	91-95 R	32.02		MB766 829
1275		91-95 L	32.02		MB766 830
3032	beige	96-99 R	29.82		MR751 573
3033		96-99 L	29.82		MR753 921
3034	black	96-99 R	29.82		MR751 572
3035		96-99 L	29.82		MR753 920

**LIFT GATE**



**REFINISHING NOTES**

950	Refin lift gate underside	91-99	p1.3		
<b>R&amp;I OPERATIONS</b>					
951	R&I liftgate assy	91-99		0.8	
<b>PARTS AND R&amp;R OPERATIONS</b>					
<b>GATE &amp; HARDWARE</b>					
<b>1 Lift gate panel</b>					
952	w/ wiper	(p2.5) 91-96	487.30	3.5	MB637 511
953	w/ wiper	(p2.5) 91-96	482.53	4.0	MB637 512
2372	all	(p2.5) 97-98	477.75	4.0	MR296 499
3036	w/ turbo	(p2.5) 99	477.75	4.0	MR296 499
3037	w/ turbo	(p2.5) 99	535.88	4.0	MR439 051
954	2 Weatherstrip	91-99	98.92	0.3	MB632 380
<b>3 Lock</b>					
955	w/ anti-theft	91-97	20.39	0.3	MB632 345
3038		98-99	18.92	0.3	MR358 372
956	w/ anti-theft	91-97	25.23	0.3	MB632 346
3039		98-99	18.92	0.3	MR358 373
957	4 Release cable	91-97	13.22	1.5	MB632 375
3040		98-99	12.11	1.5	MR358 375
960	grommet	91-99	1.05		MS480 009
958	5 Release handle	91-96	16.65		MB766 538
2573		97-99	15.86		MR712 772
959	6 Cover	91-96	4.35		MB766 540
2574		97-98	3.88		MR751 483
961	7 Cyl & keys	91-96	31.32	0.6	MB843 877
2575		97-99	36.54		MR264 691
962	8 Switch	91-99	33.23		MB632 458
963	9 Striker	91-97	5.51	0.3	MB888 125
1393		98-99	4.72	0.3	MR358 374
<b>Support cylinder</b>					
964	standard, SL model	91-96 R	155.35	0.3	MB843 858
965	w/ wiper	91-96 L	155.35	0.3	MB843 857
966	w/ wiper w/ spoiler	91-96 R	160.02	0.3	MB843 860
967		91-96 L	158.46	0.3	MB843 859
1394	w/ wiper w/ spoiler	91-96 R	89.88	0.3	MB843 866
1395		91-96 L	89.88	0.3	MB843 865

CONTINUED

**LIFT GATE (CONT)**

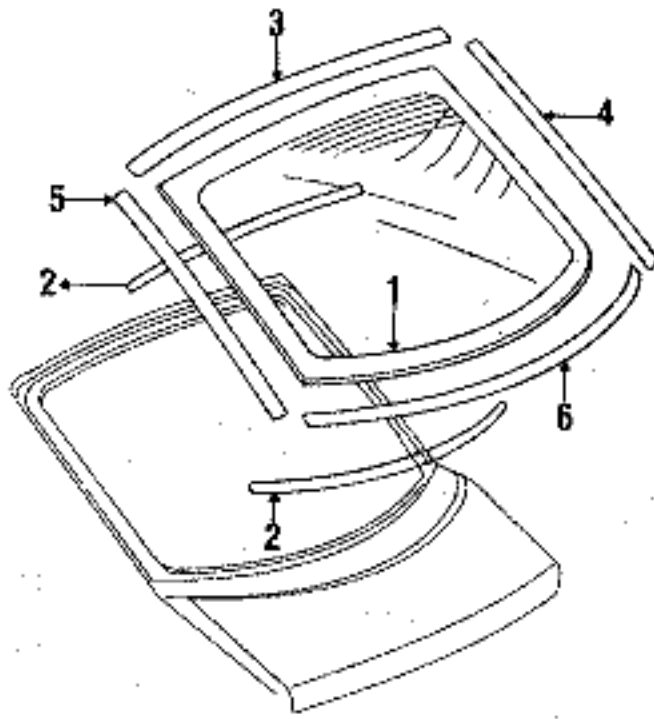
968	VR-4 model	91-96 R	89.88	0.3	MB843 868
969		91-96 L	89.88	0.3	MB843 867
2576	w/o turbo	97-98 R	89.88 #	0.3	MB843 866
2578		97-98 L	89.88 #	0.3	MB843 865
3041		99 R	79.71 #	0.3	MR286 614
3042		99 L	79.71 #	0.3	MR286 613
2577	w/turbo	97-98 R	82.84	0.3	MR286 618
2579		97-98 L	82.84	0.3	MR286 617
3043		99 R	82.84 #	0.3	MR286 620
3044		99 L	82.84 #	0.3	MR286 619
970	9 bracket	91-99 R	20.38		MB637 438
971		91-99 L	20.38		MB637 437
<b>Damper</b>					
972	10 upper	91-99	1.95		MB422 899
973	11 lower	91-99	3.67		MB422 898
974	12 bumper	91-99	3.15		MU720 002
975	13 Hinge	(p.3) 91-99	25.45 #	0.3	MB537 271
976	14 belt	91-99	.47		MF243 850
<b>Spoiler</b>					
w/o convertible					
977	14 w/o turbo	(p1.5) 91-96	525.10	0.5	MB770 310
2582		(p1.5) 97-99	357.36	0.5	MR765 630
978	15 w/turbo	(p1.5) 91-96	1091.83	0.7	MB780 663
3046		(p1.5) 97-98	357.36	0.5	MR765 630
3045		(p1.5) 99	1091.83	0.5	MR396 936
2580	side	97-99 R	164.19		MR765 654
2581		97-99 L	164.19		MR765 646
2046	w/convertible	(p1.5) 95-96	1331.50	0.5	RE753 2AXX
1497	cap	91-99	.52		MB646 885
<b>gasket</b>					
2583	19 outer	97-98 R	3.81 #		MR280 842
2584		97-98 L	3.81 #		MR280 841
3049	20	99 R	2.83 #		MR396 910
3050		99 L	2.83 #		MR396 909
2585	21 inner	97-99 R	3.18 #		MR280 830
2586		97-99 L	3.18 #		MR280 829
<b>22 bracket</b>					
2587	side spoiler	97-99 R	12.01		MR264 986
2588		97-99 L	12.01		MR264 985
2589	cover	97-99 R	1.53		MR765 686
2590		97-99 L	1.53		MR765 678
<b>grommet</b>					
2591	front	97-99	.85		MB645 307
2592	rear	97-99	1.82		MB574 173

LABOR: After gate and trim are removed.

PARTS: Order by description.

PARTS: Part included with side spoiler.

PARTS: Part included with spoiler.

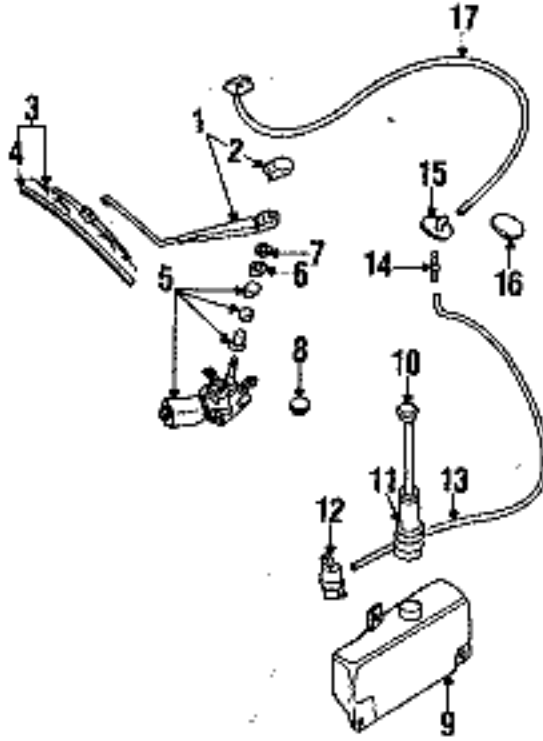


**BACK GLASS**

<b>Glass</b>					
Mitsubishi					
979	to 6/91	91	575.43	2.3	MB766 745
1386	from 6/91	91-93	703.33	2.3	MB792 429
1631		94-96	645.27	2.3	MB792 428
2593	w/o antenna	97-99	674.03	2.3	MR744 738
2594	w/antenna	97-99	540.00	2.3	MR750 620
NAGS, w/o antenna					
980	blue tint	91-98	998.35	2.3	FBO4355BTN
3051		99	#	2.3	SEE FOOTNOTE
2700	green tint	91-98	998.35	2.3	FBO4355GTN
3052		99	#	2.3	SEE FOOTNOTE
2701	gray tint	91-98	D875.35	2.3	FBO4355YTN
3053		99	#	2.3	SEE FOOTNOTE
2595	NAGS, w/antenn	91-98		2.3	NOT LISTED
3054		99	#	2.3	SEE FOOTNOTE
981	2 Seal	91-94	19.50		MB292 508
1932		95-99	7.08		MB419 223
<b>Reveal molding</b>					
3 upper					
982	w/o rear wiper	91-96	45.60	0.5	MB645 279
983	w/rear wiper	91-99	47.43	0.5	MB645 169
985	4 side	91-99 R	24.22	0.5	MB645 342
986	5	91-99 L	24.22	0.5	MB645 341

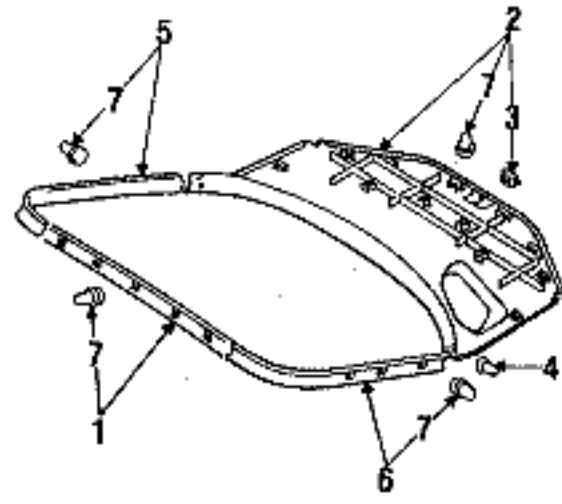
987	6 lower	91-99	40.40	0.5	MB645 280
<b>clip</b>					
984	upper	91-99	1.00		MB645 305
988	lower	91-99	1.00		MB645 379
989	grommet	91-99	1.38		MB645 308

PARTS: NAGS information not available at time of publication.



**REAR WIPER COMPONENTS**

980	1 Wiper arm Assy	91-99	31.75	0.3	MB622 941
981	2 Cover	91-99	2.10		MB622 948
982	3 Blade Assy	91-99	27.02	0.2	MB622 942
983	4 Insert	91-99	6.11		MB848 810
984	5 Motor Assy	91-99	143.80	0.8	MB622 725
985	6 spacer	91-99	4.56		MB622 945
986	7 nut	91-99	2.57		MB622 947
987	8 Plug	91-99	2.73		MB622 716
988	9 Washer reservoir	91-99	24.02	0.6	MB859 888
989	10 cap	91-99	3.04		MB622 992
1000	11 filler neck	91-99	4.10		MB622 991
1001	12 Washer pump	91-99	30.68	0.5	MB286 961
1002	13 Washer hose	91-99	2.72		MB622 993
1003	14 Connector	91-99	3.55		MB171 570
1004	15 Joint	91-99	5.25		MB622 809
1005	16 Plug	91-99	1.00		MB622 697
1006	17 Nozzle	91-99	12.84	0.2	MB622 819

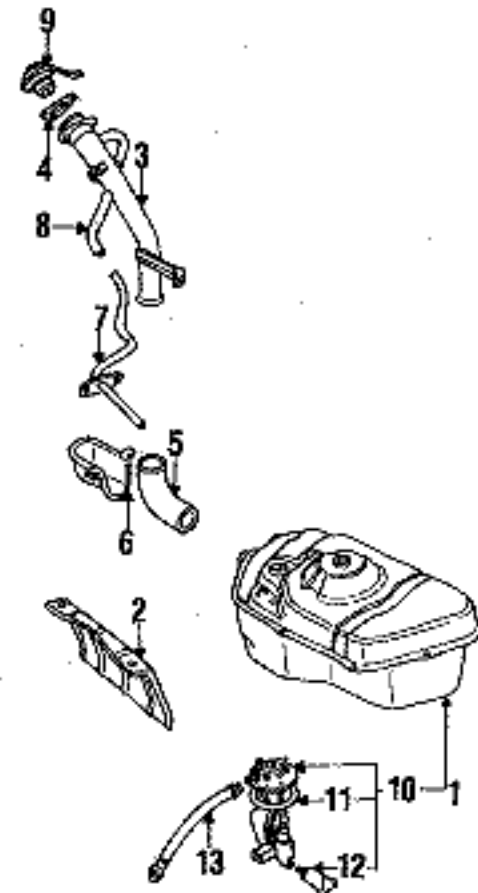


**INTERIOR TRIM**

1300	1 Upper panel	91-98	11.26	0.3	MB766 553
1301	2 Lower panel	91-94	77.18 #	0.3	MB766 552
1976		95-99	78.72 #	0.3	MB766 551
1323	3 clip	91-99	.58		MU470 013
1324	4 grommet	91-99	.49		MB132 008
1325	5 Side panel	91-99 R	11.26	0.2	MB775 765
1305		91-99 L	11.26	0.2	MB766 554
1306	7 clip	91-99	.90		MB566 720

PARTS: Order by description.

**FUEL SYSTEM**



**R&I OPERATIONS**

1437	R&I fuel tank	91-99	m 1.0
------	---------------	-------	-------

**PARTS AND R&R OPERATIONS**

**FUEL SYSTEM COMPONENTS**

<b>1 Tank Assy</b>				
1040	w/o turbo	91-97	872.37 # m 1.5	MB621 790
2628		98-99	803.43 # m 1.5	MR271 829
1041	w/turbo	91-97	872.37 # m 1.5	MB621 791
2629		98-99	770.72 # m 1.5	MR271 830
1042	2 Tank shield	91-99	7.10	MB825 330
1043	3 Filler neck	91-97	43.85 m 0.8	MB621 810
3056		98-99	53.11 m 0.8	MR271 838
1044	4 gasket	91-99	3.33	MB504 238
1045	5 Hose	91-97	8.69	MB621 813
3057		98-99	7.21	MR271 846
1046	6 Protector	91-99	13.11	MB621 817
1047	7 Vent tube	91-99	39.79	MB621 815
1048	8 Hose	91-98	3.78	MB621 814
3058		98-99	3.17	MR271 847
1049	9 Cap	91-97	11.46	MB825 326
3059		98-99	15.47	MR342 331
1050	screw	91-99	.77	MU340 031
1051	grommet	91	.77	MS480 012
1938		92-99		NOT LISTED
<b>10 Fuel pump Assy</b>				
1052	w/o turbo	91-99	456.87 m 1.5	MB698 857
1053	w/turbo	91-99	456.87 m 1.5	MB698 858
1054	11 gasket	91-99	7.12	MB400 461
<b>12 Filter</b>				
1055	w/o turbo	91-99	11.10	MB890 047
1056	w/turbo	91-99	52.38	MB400 814
1057	13 Pressure hose	91-99	65.68	MR161 794

PARTS: Tank assembly includes: fuel tank, sending unit, high pressure hose, safety valve, vapor valve, fuel and vapor hoses.

**REAR SUSPENSION**

**ADD IF REQUIRED**

<b>Wheel alignment</b>			
1448	align rear wheels	91-99	m 1.4
1449	align four wheels	91-99	m 2.7
<b>Bleed brake system</b>			
1884	w/o ABS	91-99	m 0.3
1885	w/ABS	91-99	m 0.5

**OVERHAUL OPERATIONS**

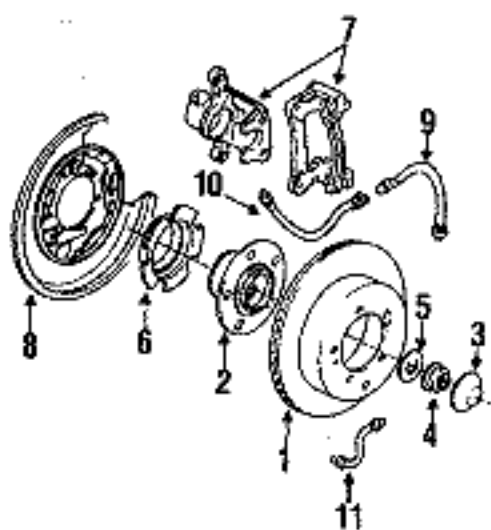
<b>O/H suspension one side</b>			
1440	front wheel drive	91-99 B	m 3.0
1446	all wheel drive	91-99 B	m 3.5
<b>both sides</b>			
1441	front wheel drive	91-99	m 5.8
1447	all wheel drive	91-99	m 6.8

**R&I OPERATIONS**

<b>R&amp;I suspension one side</b>			
1438	front wheel drive	91-99 B	m 2.0
1444	all wheel drive	91-99 B	m 2.5
<b>both sides</b>			
1439	front wheel drive	91-99	m 3.8
1445	all wheel drive	91-99	m 4.8

**PARTS AND R&R OPERATIONS**

Please contact our Product Support Group if you require assistance locating, interpreting or using any information contained in this Estimating Guide. Toll Free Number: 1-800-426-6867.



-----BRAKE COMPONENTS-----

**1 Brake rotor**

1072	2WD	91-99 B	127.87	m	0.6	MB587 579
1075	4WD	91-93 B	132.53	m	0.6	MB618 828
1084		94-99 B	169.19	m	0.6	MB895 363
1074	<b>2 Hub</b>	91-99 B	115.64	m	0.8	MB633 512
1077	<b>3 Cap</b>	91-99	3.23			MB515 405
1078	<b>4 nut</b>	91-99	4.10			MB631 529
1079	<b>5 washer</b>	91-99	5.25			MB631 528
1076	<b>Wheel stud</b>	91-99	1.82			MB303 869
1080	<b>6 ABS rotor</b>	91-99	86.18			MB668 632

**7 Caliper**

1081	2WD	91-99 R	109.00	m	1.0	RMB85 7332
1082		91-99 L	109.00	m	1.0	RMB85 7331
1083	4WD	91-93 R	109.00	m	1.0	RMB85 7914
1084		91-93 L	109.00	m	1.0	RMB85 7913
1085		94-99 R	241.67	m	1.0	MB895 305
1086		94-99 L	248.92	m	1.0	MB895 304

**8 Splash shield**

1085	2WD	w/o anti-lock	91-94 R	83.30	q	0.2	MR205 820
1086			91-94 L	80.62	q	0.2	MB857 264
1087			95-99 R	83.30	q	0.2	MR205 820
1088			95-99 L	83.30	q	0.2	MR205 819
1089		w/anti-lock	91-94 R	80.62	q	0.2	MB857 294
1090			91-94 L	83.30	q	0.2	MR205 821
1091			95-99 R	83.30	q	0.2	MR205 822
1092			95-99 L	83.30	q	0.2	MR205 821
1093	4WD		91-93 R	83.91	q	0.2	MR205 818
1094			91-93 L	80.62	q	0.2	MR205 817
1095			94 R	83.30	q	0.2	MR205 824
1096			94 L	102.16	q	0.2	MB928 545
1097			95-99 R	83.30	q	0.2	MR205 824
1098			95-99 L	83.30	q	0.2	MR205 823

**9 Nose**

1091	2 WD w/o ABS	91-94	12.48	m	0.6	MR129 750
1092	2 WD w/ABS					
1093	to 7/90	91	12.48	m	0.6	MR129 750
1094	from 8/90	91-94	12.48	m	0.6	MR129 755
1095	2WD all	95-99	12.48	m	0.6	MR129 750
1096	4WD	95-99	12.51	m	0.6	MR129 746

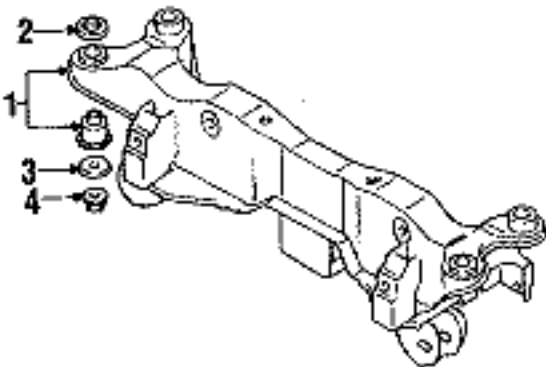
**10 Nose**

1097	2 WD w/o ABS	91-94	12.78	m	0.6	MR129 751
1098	2WD w/anti-lock					
1099	to 7/90	91	12.06	m	0.6	MB587 757
1100	from 8/90	91-94	12.78	m	0.6	MR129 751
1101	2WD all	95-99	12.78	m	0.6	MR129 751
1102	4WD	91-99	12.29	m	0.6	MR129 794

**11 Connector tube**

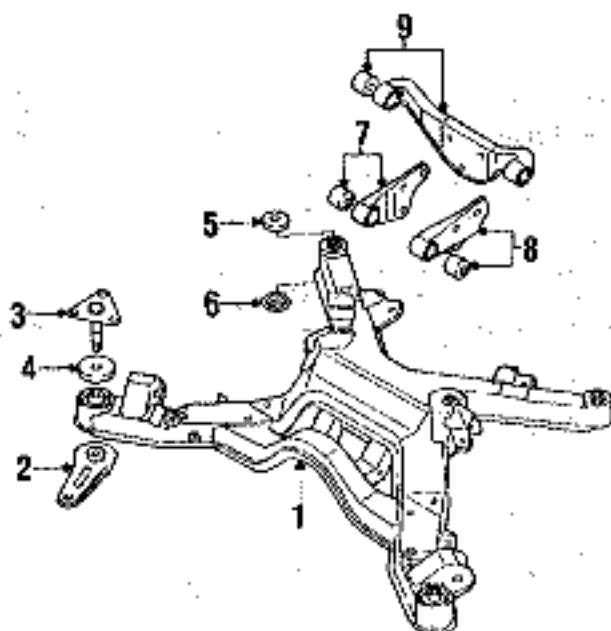
1103	91-99 R	3.05				MB699 709
1104	91-99 L	3.05				MB699 708

↑ LABOR: After hub assembly is removed.



-----SUSPENSION MOUNTING-----  
**FRONT WHEEL DRIVE**

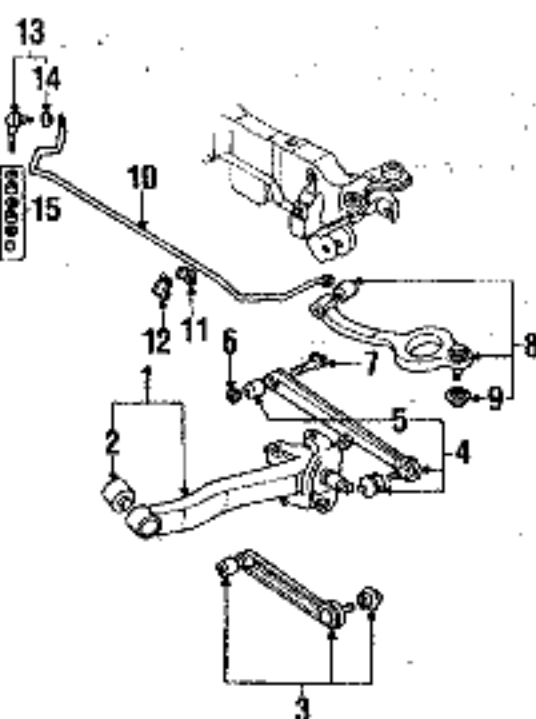
1055	<b>1 Crossmember</b>	91-99	275.82	s	4.0	MB631 660
1056	<b>2 stopper</b>	91-99	3.28			MB303 629
1060	<b>3 plate</b>	91-99	3.48			MB809 611
1061	<b>4 nut</b>	91-99	1.40			MB242 260



-----SUSPENSION MOUNTING-----  
**ALL WHEEL DRIVE**

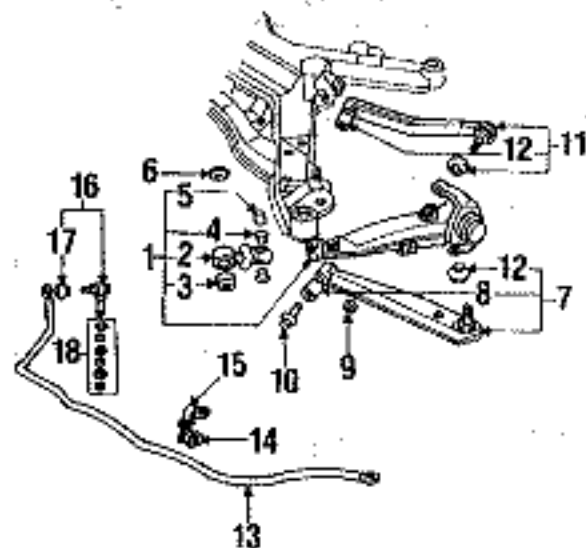
1062	<b>1 Crossmember</b>	91-97	595.23	s	6.0	MB663 571
3081	w/4 wheel strg.	98-99	575.66	s	6.0	MB663 573
3082	w/4 wheel strg.	98-99	595.23	s	6.0	MB663 571
1063	<b>2 bracket</b>	91-99	6.31			MB663 070
1064	<b>3 pin</b>	91-99	7.94			MB584 138
1065	<b>stopper</b>					
1065	front	91-99	5.04			MB663 755
1066	rear					
1067	<b>5 upper</b>	91-99	4.57			MB515 154
1067	<b>6 lower</b>	91-99	4.08			MB515 155
1068	<b>Support</b>					
1068	differential					
1068	front	91-99 R	32.32	#s	0.8	MB809 020
1068	rear	91-99 L	32.32	#s	0.8	MB809 015
1070	rear	91-99	85.38			MB809 024

# LABOR: Included in crossmember R&R.



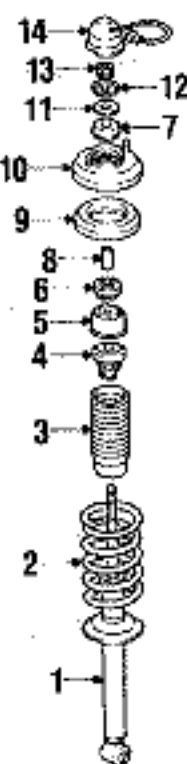
-----SUSPENSION COMPONENTS-----  
**FRONT WHEEL DRIVE**

1105	<b>1 Trailing arm</b>					
1105	w/o ABS	91-96 R	413.58	m	2.0	MB631 658
1106		91-96 L	405.55	m	2.0	MB631 657
2596	SOHC	97-99 R	490.74	m	2.0	MB844 156
2598		97-99 L	490.74	m	2.0	MB844 155
2597	DOHC	97-99 R	413.58	m	2.0	MB631 658
2599		97-99 L	405.55	m	2.0	MB631 657
1107	w/ABS	91-99 R	405.55	m	2.0	MB663 211
1108		91-99 L	405.55	m	2.0	MB663 210
1109	<b>2 bushing</b>	91-99	19.79			MB663 770
1110	<b>Link Assy</b>					
1110	front	91-99 B	82.78	m	1.0	MB584 857
1111	rear	91-99 B	100.18	m	1.0	MB698 980
1112	<b>3 bushing</b>	91-99	12.75			MB515 165
1113	<b>4 bolt plate</b>	91-99	1.18			MB111 440
1114	<b>5 bolt</b>	91-99	4.28			MB515 167
1115	<b>6 Upper ctrl arm</b>	91-99 B	136.52	m	1.5	MB698 979
1116	<b>7 Dust cover</b>	91-99	3.48			MB663 346
1117	<b>8 Snap ring</b>	91-99	2.23			MA180 615
1118	<b>9 Stabilizer bar</b>	91-99	51.93	m	0.6	MB809 547
1119	<b>10 bushing</b>	91-99	3.05			MB809 548
1120	<b>11 bracket</b>	91-99	4.28			MB573 053
1121	<b>12 link kit</b>					
2600		91-96	33.90			MB584 467
1122		97-99	22.24			MR131 733
1123	<b>14 Dust cover</b>	91-99	3.77			MB518 785
1123	<b>15 Snap ring</b>	91-96	3.62			MB633 060
2601		97-99	3.72			MB892 989
1124	<b>15 Bushing kit</b>	91-99	8.30			MB185 476



-----SUSPENSION COMPONENTS-----  
**ALL WHEEL DRIVE**

1125	<b>1 Trailing arm</b>					
1125	all	91-96 R	405.55	m	2.0	MB631 613
1126		91-96 L	405.55	m	2.0	MB631 612
3083	w/4 wheel strg.	98-99 R		m	2.0	MR223 276
3084		98-99 L		m	2.0	MR223 275
2602	w/4 wheel strg.	97-99 R	499.15	m	2.0	MB911 698
2603		97-99 L	499.15	m	2.0	MB911 697
1127	<b>2 connecting rod</b>					
1127		91-96	65.59			MB515 194
2604		97-99	68.39			MB911 699
1128	<b>3 bushing</b>	91-99	19.79			MB663 620
1129	<b>4 bearing</b>	91-99	3.57			MB515 259
1130	<b>5 collar</b>	91-99	3.57			MB515 258
1131	<b>6 Plate</b>	91-99	1.72			MB663 623
1132	<b>7 Lower ctrl arm</b>	91-99 B	124.63	m	1.0	MB698 982
1133	<b>8 bushing</b>	91-99	12.38			MB663 784
1134	<b>9 bolt plate</b>	91-99	1.18			MB111 440
1135	<b>10 bolt</b>	91-99	4.28			MB515 167
1136	<b>11 Upper ctrl arm</b>					
1136		91-99 R	136.52	m	1.6	MB698 978
1137		91-99 L	136.52	m	1.6	MB698 977
1138	<b>12 Dust cover</b>	91-99	3.48			MB663 346
1139	<b>13 Snap ring</b>	91-99	2.23			MA180 615
1140	<b>14 Stabilizer bar</b>	91-99	75.67	m	0.8	MB663 822
1141	<b>15 bushing</b>	91-99	3.05			MB631 674
1142	<b>16 bracket</b>	91-99	2.90			MB631 679
1143	<b>17 link kit</b>					
2605		91-96	33.90			MB584 467
2606		97-99	22.24			MR131 733
1144	<b>17 Dust cover</b>	91-99	3.77			MB518 785
1145	<b>18 Snap ring</b>	91-93	3.62			MB633 060
3085		94-99	3.72			MB892 989
1146	<b>18 bushing kit</b>	91-99	8.30			MB185 476



-----SHOCKS & SUSPENSION COMPONENTS-----

1147	<b>1 Shock absorber</b>					
1147	2WD, standard	91-98 B	82.35	m	1.5	MB631 741
1148	2WD, electronic control	91-96 B	170.20	m	1.5	MR179 070
1149	4WD					
1149	to 1/91	91 B	157.50	m	1.5	MB631 665
1401	from 1/91	91-96 B	170.20	m	1.5	MR179 069
2607		97-99 B	84.30	m	1.5	MB631 739
1150	<b>2 Spring</b>					
1150	2WD					
1150	standard	91-94 B	64.00	m	1.5	MB631 740
1348		95-99 B	51.69	m	1.5	MB949 447
1151	electronic control	91-94 B	59.95	m	1.5	MB631 863
1349		95-96 B	51.69	m	1.5	MB949 448
1152	4WD	91-94 B	72.48	m	1.5	MB631 662
1350		95-96 B	57.80	m	1.5	MB949 446
2608		97-99 B	44.64	m	1.5	MB949 444

CONTINUED

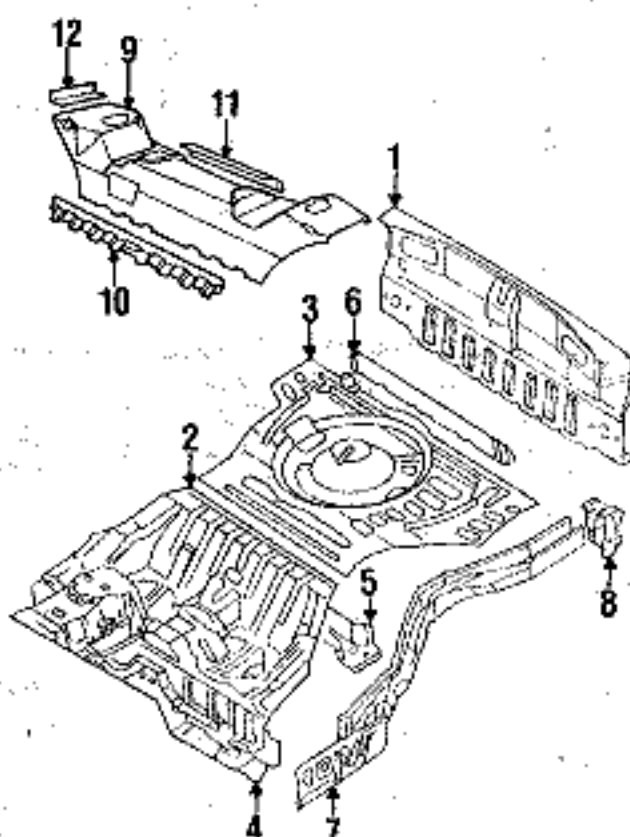
## REAR SUSPENSION (CONT)

<b>3 Dust cover</b>			
1153	standard	91-99	7.10
1154	electronic control	91-96	6.53
<b>4 Bumper</b>			
1155	standard	91-96	6.31
2609	2WD	97-99	6.31
2610	4WD	97-98	9.76
3066		99	6.30
1156	electronic control	91-96	6.31
<b>5 Cup</b>			
1157	standard	91-99	5.35
1158	electronic control	91-96	6.31
<b>Bushing</b>			
<b>6 lower</b>			
1159	standard	91-99	3.72
1160	electronic control	91-96	3.90
<b>7 upper</b>			
1161	standard	91-99	3.33
1162	electronic control	91-96	3.90
<b>8 Collar</b>			
1163	standard	91-99	2.23
	electronic control		
1164	to 1/91	91	3.59
1402	from 1/91	91-96	4.04
<b>9 Spring seat</b>			
1165	standard	91-99	11.08
1166	electronic control	91-96	7.75
<b>10 Shock mount</b>			
1167	standard	91-99	20.58
1168	electronic control	91-96	55.05
<b>11 Spacer</b>			
1169	electronic control	91-94	4.23
1951		95-96	NOT LISTED
1508	connector	91-96	3.05
<b>12 Washer</b>			
1170	standard	91-99	1.82
1171	electronic control	91-96	5.04
<b>13 nut</b>			
1172	standard	91-99	.93
1173	electronic control	91-96	1.14
<b>14 Cap</b>			
1174	standard	91-99	5.71
1175	electronic control	91-96	10.27

<b>Bearing</b>			
1189	13 outer	91-99	14.13
1190	14 inner	91-99	13.20
1191	15 Rotor sensor	91-99	30.35
1192	Wheel stud	91-99	1.82

# LABOR: After axle is removed.  
 † LABOR: Includes R&I of all internal components, and D&R of all attached components.

## REAR BODY



### REFINISHING NOTES

Refn rear body panel

2022	inner panel	91-99	p.8
------	-------------	-------	-----

### OVERLAP OPERATIONS

R&R rear body panel with 1 qtr panel off

1435	deduct	91-99	2.0
------	--------	-------	-----

with 2 qtr panels off

1438	deduct	91-99	3.5
------	--------	-------	-----

### PARTS AND R&R OPERATIONS

#### REAR BODY

1018	1 Rear panel	(p1.5) 91-97	172.40 #	4.5	MB907 908
2680		(p1.5) 98-99	198.28 #	4.5	MR391 514

Rear floor pan

1022	2 front	91-99	246.91		MB945 095
3	rear				
1023	2 wheel drive	(p1.5) 91-99	267.72 †	15.0	MB637 402
1024	4 wheel drive	(p1.5) 91-99	267.30 †	15.0	MB637 401

Crossmember

1025	4 front	91-99	107.20		MB637 409
5	center				
1026	front wheel drive	91-99	73.83		MR178 992
1027	all wheel drive	91-99	73.71		MB637 407
1028	6 rear	91-99	64.05 †	3.5	MR178 995

Mount bracket

1438	gate support cyl	91-99 R	20.38		MB637 438
1439		91-99 L	20.38		MB637 437

7 Side rail

1029	front wheel drive	91-99 R	413.58 †	7.0	MB637 404
1030		91-99 L	401.53 †	7.0	MB637 403
1031	all wheel drive	91-99 R	403.77 †	7.0	MR945 094
1032		91-99 L	395.85 †	7.0	MR945 093

Extension

1397	8 inner	91-99 R	24.78 †	2.0	MB907 690
1398		91-99 L	24.78 †	2.0	MB907 689
1393	outer	91-99 R	24.78 †	2.0	MB907 688
1395		91-99 L	24.78 †	2.0	MB907 687

9 Rear crossmember

2221	convertible	95-96	851.25		RE091 0FFX
------	-------------	-------	--------	--	------------

10 bracket

2222	convertible	95-96	33.50		REA77 4EXX
------	-------------	-------	-------	--	------------

11 cover

2223	convertible	95-96	42.46		RE800 2AXX
------	-------------	-------	-------	--	------------

12 reinforcement

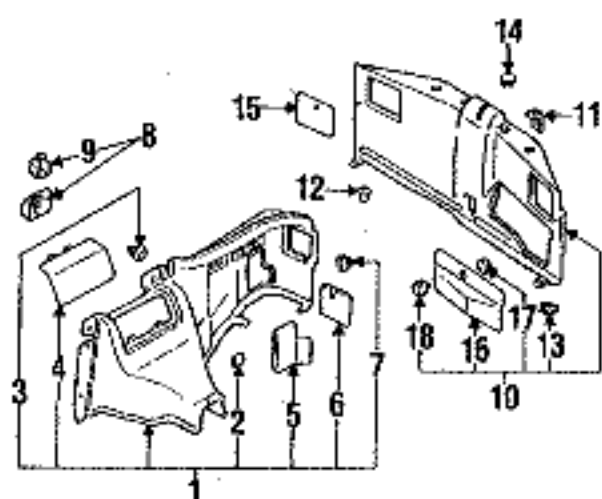
2224	convertible	95-96	6.14		RE404 0DXX
------	-------------	-------	------	--	------------

# LABOR: Time is after bumper assembly is removed.

† LABOR: After suspension, fuel tank and all necessary bolted on parts are removed. Time includes R&R rear panel.

‡ LABOR: After bumper, fuel tank and all necessary bolted on parts are removed.

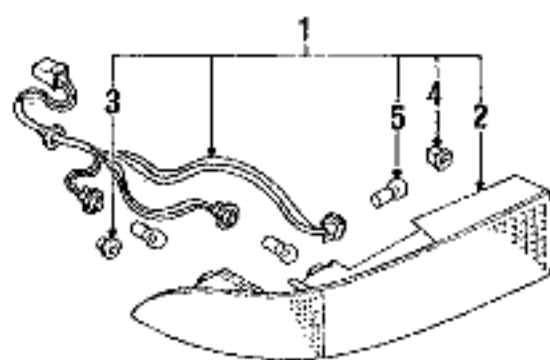
† LABOR: After suspension, fuel tank, bumper and all necessary bolted on parts are removed.



### REAR COMPARTMENT TRIM

<b>Side panel</b>					
1276	1 assembly	91-99 R	190.40	0.3	MB767 061
1277		91-99 L	190.40	0.3	MB767 060
1278	2 nut	91-99	.72		MB530 249
1279	3 clip	91-99	.90		MB566 720
<b>Access cover</b>					
1280	4 side	91-99 R	21.37		MB692 626
1281		91-99 L	21.79		MB692 625
1282	5 rear corner	91-99 R	21.37		MB692 628
1283		91-99 L	21.37		MB692 627
1284	6 rear	91-99 R	22.23		MB692 630
1285		91-99 L	22.23		MB692 629
1286	7 lock knob	91-99	1.00		MB828 110
<b>8 Rear bracket</b>					
1287	gray	91-95 R	5.33		MB768 358
1288		91-95 L	5.33		MB692 960
3074	beige	96-99 R	4.84		MR751 644
3075		96-99 L	4.84		MR751 642
3076	black	96-99 R	4.84		MR751 643
3077		96-99 L	4.84		MR751 641
1289	9 holder	91-99	1.62		MR189 594
<b>Panel Assy</b>					
1290	10 rear end	91-99	101.47	0.7	MR366 135
1291	11 bracket	91-99	3.05		MB692 121
1292	12 grammet	91-99	2.23		MB361 218
1293	13 clip	91-99	.58		MU470 013
1294	14 cap	91-99	1.00		MB766 592
<b>Access cover</b>					
1295	15 upper	91-99 R	22.23		MB828 044
1296		91-99 L	22.23		MB828 043
1297	16 Compartment door	91-99	26.72		MB692 623
1298	17 lock	91-99	1.00		MB766 471
1299	18 knob	91-99	1.00		MB766 470

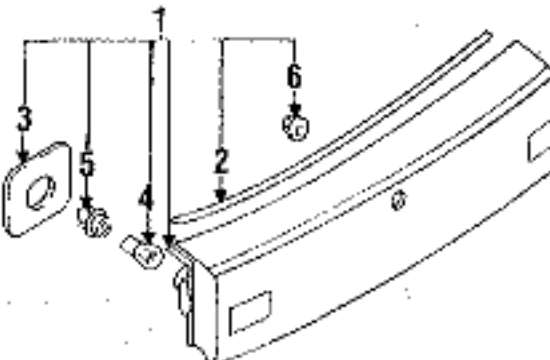
### REAR LAMPS



### PARTS AND R&R OPERATIONS

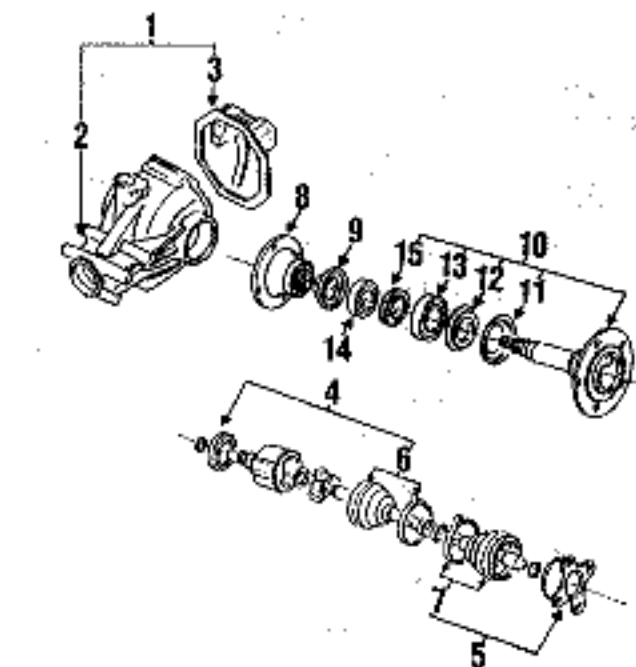
#### TAIL LAMPS

1033	1 Tail lamp Assy	91-99 R	172.49	0.6	MB698 936
1034		91-99 L	172.49	0.6	MB698 935
1035	2 Lens & housing	91-99 R	132.05	0.6	MR848 598
1036		91-99 L	132.05	0.6	MR848 597
1037	3 nut	91-99 B	.47		MS440 502
1038	4 grommet	91-99 B	1.00		MB622 775
1039	5 Bulb	91-99 B	1.28	0.2	AL002 057



### BACKUP LAMPS

1013	1 Backup lamp Assy	91-93	113.92	0.5	MB698 883
1033		94-96	99.20	0.5	MR124 811
2612		97-98	106.49 †	0.5	MR179 181
3078		99	102.40 †	0.5	MR439 754
1399	2 seal	91-99	.89		MB848 607
1021	3 gasket	91-99	2.57		MB848 608



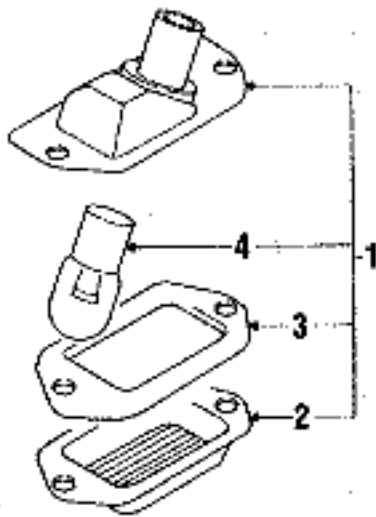
### SUSPENSION COMPONENTS

#### REAR DRIVE COMPONENTS

<b>1 Differential Assy</b>						
1176	w/4 wheel strg.	91-94	2556.63	m	2.8	MB698 849
1952		95-99	2908.61	m	2.8	MR124 420
3067	w/4 wheel strg.	98		m	2.8	MR179 435
3068		99		m	2.8	MR439 751
<b>2 Housing</b>						
1177	w/4 wheel strg.	91-99	326.60 †	m	4.3	MB569 920
3069	w/4 wheel strg.	98-99	312.64 †	m	4.3	MB569 919
1178	3 Rear cover	91-99	71.80			MB569 935
<b>4 C.V. shaft Assy</b>						
<b>inner</b>						
1179	w/4 wheel strg.	91-99 R	273.03 #	m	0.5	MB837 364
1180		91-99 L	331.53 #	m	0.5	MB837 365
3070	w/4 wheel strg.	98 R	273.03 #	m	0.5	MB837 364
3071		98 L	331.53 #	m	0.5	MB837 365
3072		99 R		m	0.5	MB837 363
3073		99 L	331.53 #	m	0.5	MB837 365
<b>C.V. joint</b>						
1181	5 kit	91-99 B	297.20 #	m	0.5	MB837 362
<b>Boot kit</b>						
1182	6 inner	91-99	52.32			MB837 367
1183	7 outer	91-99	52.32			MB837 366
1184	8 Flange	91-99	50.45			MB569 968
1185	9 seal	91-99	16.48			MB393 807
1186	10 Drive shaft Assy	91-99 B	159.35	m	1.1	MB664 902
<b>seal</b>						
1187	11 outer	91-99	3.85			MB393 803
1188	12 inner	91-99	1.39			MB290 428

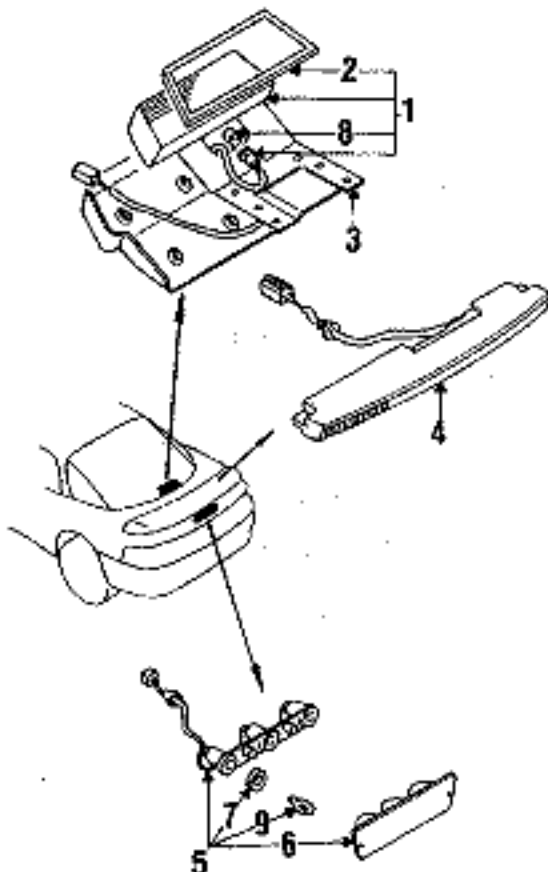
1020	4	Bulb	91-99	1.43		AL001 156
1021	5	Socket	91-99	#		SEE FOOTNOTE
1022	6	retainer nut	91-99	.47		MS440 502

# PARTS: Part serviced with backup lamp assembly.  
 † PARTS: Order by description.



-----LICENSE LAMPS-----

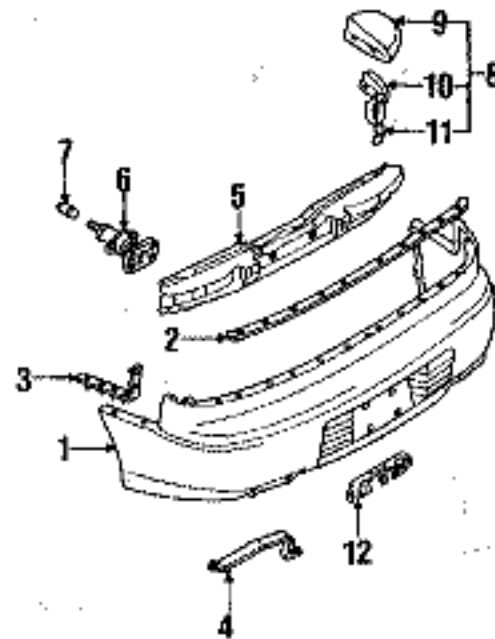
1221	1	License lamp	91-99	21.75	0.4	MB530 248
1222	2	Lens	91-99	2.33		MB596 500
1223	3	gasket	91-99	.88		MB596 502
1224	4	Bulb	91-99	.77		AL000 194



-----HIGH MOUNT LAMPS-----

<b>High mount lamp</b>						
1007	1	w/o spoiler	91-96	62.22	0.3	MB622 660
1008	2	gasket	91-96	5.32		MB848 609
1009	3	cover	91-96	35.30		MB766 462
w/spoiler						
1010	4	w/o active spoiler	91-96	58.70	0.3	MB622 662
2013			97-98	154.69	0.3	MR275 065
1011	5	w/active spoiler	91-96	60.83	0.3	MR300 010
3061		w/2WD	99	154.69	0.3	MR275 065
3060		w/4WD	99	58.70	0.3	MB622 662
1012	6	Lens	91-96	21.56		MR339 791
1013	7	gasket	91-96	14.93		MB572 216
<b>Bulb</b>						
1018		w/o spoiler	91-96	1.43		AL001 156
1019		w/moveable spoiler	91-96	1.05		AL000 168

REAR BUMPER



OVERHAUL OPERATIONS

1196	O/H bumper assy	91-99	#	4.0
------	-----------------	-------	---	-----

R&I OPERATIONS

1195	R&I bumper assy	91-99	†	3.0
------	-----------------	-------	---	-----

PARTS AND R&R OPERATIONS

-----BUMPER & COMPONENTS-----

1991-93

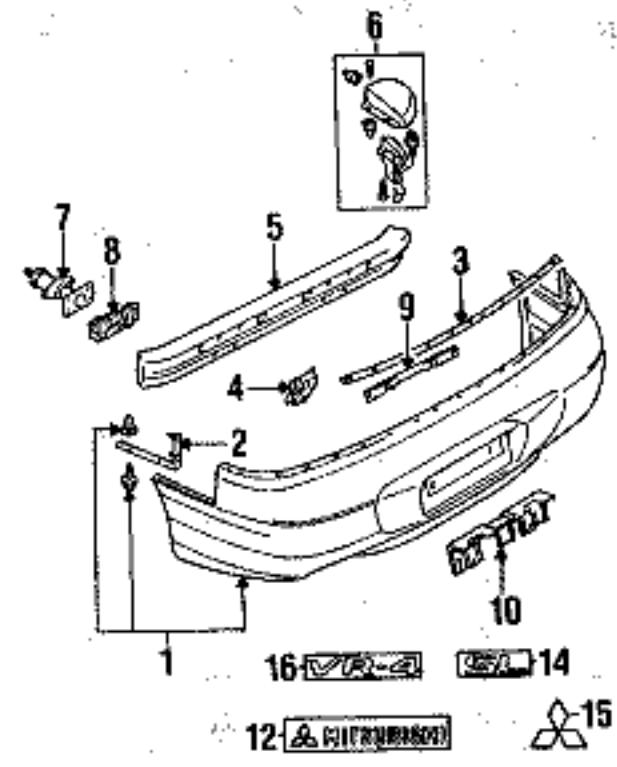
1197	1	Cover	(p2) 91-93	408.33	2.3	MB831 884
1198		clip	91-93	1.48		MB547 806
1521		grommet	91-93	.58		MU480 035
<b>retainer</b>						
1199	2	center	91-93	21.58		MB640 840
1200	3	side	91-93 R	13.23		MB640 846
1201			91-93 L	13.23		MB640 845
1202		gasket	91-93	1.00		MB406 419
<b>Plate</b>						
1203	4	lower	91-93 R	16.61		MB641 184
1204			91-93 L	16.61		MB641 183
1205	5	Reinforcement	91-93	302.54 #	4.0	MB888 793
1206	6	Energy absorber	91-93	43.52 †	0.3	MB574 120
1207	7	grommet	91-93	1.82		MB552 833
<b>8 Extension</b>						
assy above tail light						
1208			91-93 R	36.28		MB860 912
1209			91-93 L	36.28		MB860 911
<b>grommet</b>						
1502		horizontal	91-93	1.77		MB622 930
1503		vertical	91-93	.77		MU480 034
1210	9	Panel	91-93 R	32.37		MB867 432
1211			91-93 L	32.37		MB867 431
1212	10	Guide	91-93 R	17.97		MB862 040
1213			91-93 L	17.97		MB862 039
1214	11	Plate	91-93 R	3.92		MB862 044
1215			91-93 L	3.92		MB862 043
1216	12	License bracket	91-93	15.82		MB640 850
1217		nut	91-93	.90		MU480 007
<b>Decal</b>						
1218		"3000GT"	91-93	23.45 †	0.3	MB777 086
1219		"3000GT SL"	91-93	34.55 †	0.3	MB777 084
1220		"3000GT VR-4"	91-93	42.27 †	0.3	MB777 082

# LABOR: Time is for overhaul. Time includes R&I of rear combination lamps, finish panel and necessary interior trim.

† LABOR: After bumper is removed.

‡ PARTS: Order by color and application.

† LABOR: Time includes R&I of rear combination lamps, finish panel and necessary interior trim.



-----BUMPER & COMPONENTS-----

1994-99

1640	1	Cover assy	(p2) 94-99	408.33	2.3	MR124 050
1641	2	brace	94-99 R	13.23		MB840 846
1642			94-99 L	13.23		MB840 845
1643	3	upper plate	94-99	21.58		MB640 840
1644	4	support	94-99	32.78		MB934 357
<b>5 Reinforcement</b>						
1645		w/o turbo	94-98	302.54 #	4.0	MB888 793
3062			99	303.07 #	4.0	MB640 580
1761		w/turbo	94-98	302.36 #	4.0	MB909 458
3083			99	303.07 #	4.0	MB640 580
1646	6	Extension	94-99 R	36.28		MB860 912
1647			94-99 L	36.28		MB860 911
1648	7	Absorber	94-99 B	43.52 †	0.3	MB574 120
<b>8 Bracket</b>						
1649		reinforcement	94-99	26.27		MB934 353
<b>9 Center support</b>						
1650		cover	94-99	9.50		MB934 355
<b>10 License bracket</b>						
1651		lamp support	94-99	16.03	0.3	MB935 238
<b>Decal</b>						
3087	11	"3000GT"	94-98	23.36 †	0.3	MR109 955
3090			99	21.30 †	0.3	MR796 121
3091	12	logo & "MITSUBISHI"	94-98	20.98 †	0.3	MB952 388
3088	13	"MITSUBISHI"	99	21.30 †	0.3	MR793 206
3089	14	"SL"	94-98	12.83 †	0.3	MR109 959
3092			99	11.40 †	0.3	MR793 200
3093	15	3-diamond logo	99	14.67 †	0.3	MR416 795
3094	16	"VR-4"	94-98	14.09 †	0.3	MR109 957
3095			99	14.37 †	0.3	MR791 477

# LABOR: Time is for overhaul. Time includes R&I of rear combination lamps, finish panel and necessary interior trim.

† LABOR: After bumper is removed.

‡ PARTS: Order by color and application.